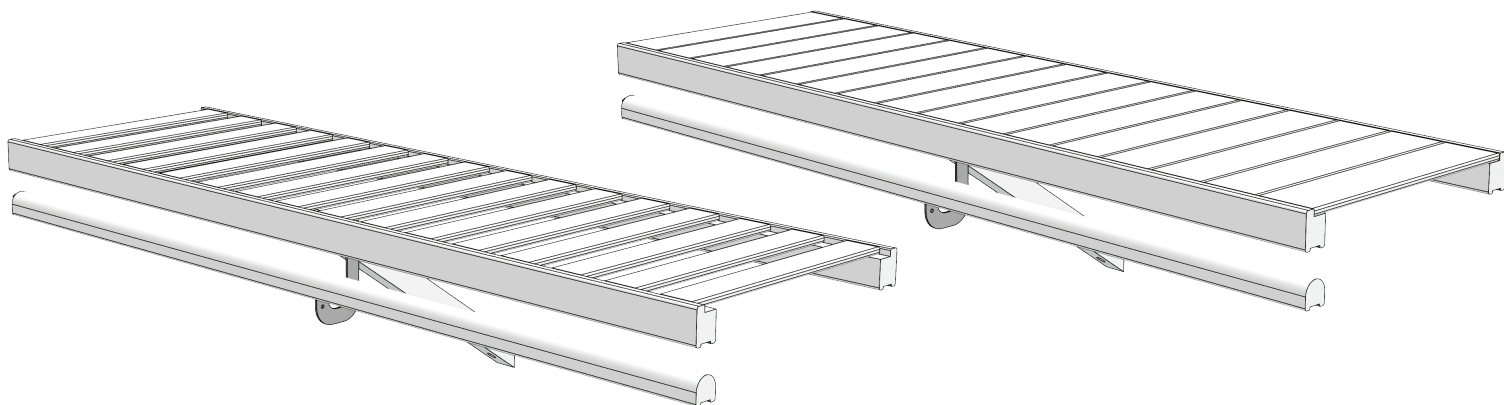


NORTHERN KENTUCKY CEDAR, LLC

## Hanging Kit Assembly



1. Use caution when assembling this unit. Excessive weight will cause damage to the unit. Serious or fatal injuries may occur from the unit falling if not properly fastened to the wall.
2. Products that are instructed to be fastened to the wall must either be connected to a stud or by drywall anchors (not included).
3. Each unit may be attached to another or cut down to fit your needs. With that in mind; Plan ahead. Assemble each unit one at a time, and only cut down pieces when you are confident that they will fit together.
4. Determine if your unit will fit in the desired space. The only cuts you should make prior to assembly are on the panels of a cubby unit, so they will fit when standing up-right.
5. If you purchased a cubby add-on, please refer to the instructions included with that unit before assembling anything. Special steps must be completed prior to installing this unit.
6. This unit is installed faster and much easier with the help of others.

### For Support:

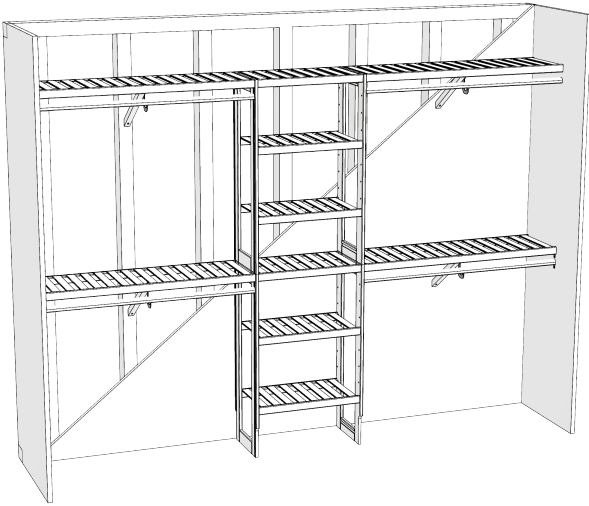
Call toll free 855.239.9498 or 606.742.2745      Email - [sales@northernkycedar.com](mailto:sales@northernkycedar.com)

Once your unit is complete, we would love to see it! Send us pictures at our Email!

### Set-Up Option 1

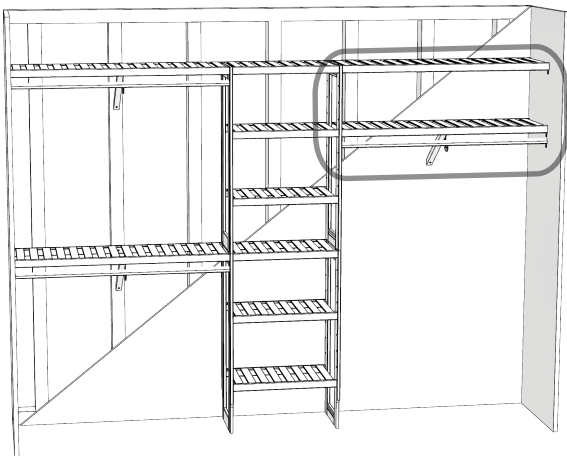
Classic Set-up  
Hanging Kits on  
fixed Shelving

How the unit was  
designed to fit in  
between two walls.



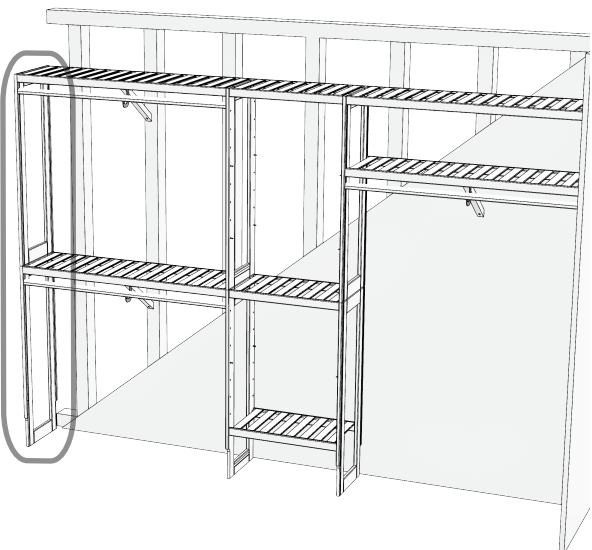
### Set-Up Option 2

High Hanging  
Set-up Attached to  
adjustable shelving.



### Set-Up Option 3

Attaching this unit  
to another panel  
or cubby.



If you purchased a Wall Kit, the instructions and hardware are separate for each unit. Be sure to open all of your units to view parts and instructions before assembling.

To the left are of course only just suggestions. We have found that these are the trending options, and cover the common types of assembly.

Preface/Tools Needed:

\* Pgs. 1 - 3

Hardware Included:

\* Pg 4

Assemble Cubby Unit:

\* See Cubby Instructions

Attach Cubby Unit:

\* See Cubby Instructions

Place Cubby Shelving

\* See Cubby Instructions

Assemble Hanging Kit Units:

\* Pgs. 5 - 9

# Thank You For Your Purchase

Because this system is based around the concept of individuality, this system can be used in conjunction with any Northern Kentucky Cedar, LLC product. The different ways are limited only by your imagination, and as such, not all components have to be used during installation.

To ensure a proper and easy installation, thoroughly read and follow this document. Basic carpentry skills will help.

This system is designed for clothes, linens, and pantry items. Placing excessively heavy items in your closet may lead to structural failure.

Knots, checking, and light cracks are typical characteristics of Aromatic Red Cedar and do not warrant a cause for exchange or refund.

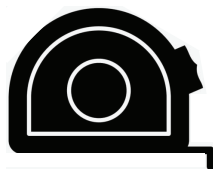
If scent wears off, lightly sand with a fine sandpaper to revitalize scent.

**If you purchased a cubby add-on please refer to the instructions included with that unit before assembling anything. Special steps must be completed prior to installing this unit.**

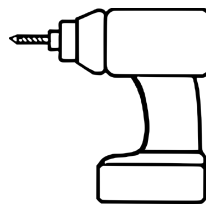
## Tools you will need



Safety Glasses



Tape Measure



Drill

- 1/16" Drill Bit

- 1/8" Drill Bit

- #2 Square Bit



Hammer



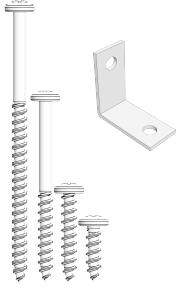
Stud Finder



Level

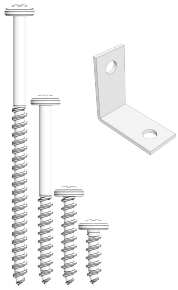
## A Single Hanging Kit Includes

24", 30", 36", and 39" Kits Include:



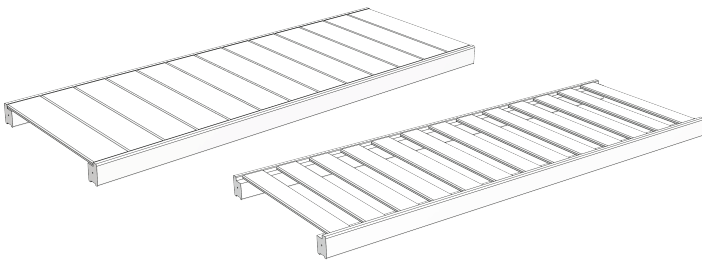
- A1 - (x4) 5/8" Screws
- B1 - (x18) 1" Screws
- C1 - (x14) 2" Screws
- D1 - (x2) 3" Screws
- F1 - (x12) L-Brackets

48" and 60" Kits Include:

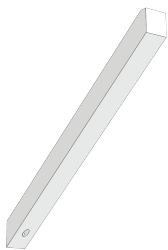


- A1 - (x4) 5/8" Screws
- B1 - (x24) 1" Screws
- C1 - (x16) 2" Screws
- D1 - (x2) 3" Screws
- F1 - (x12) L-Brackets

(x2) (Solid/Vented) Hanging Shelves of ordered size



Angle Braces



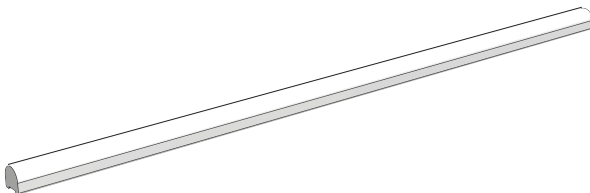
- 24" - (x2)
- 30" - (x2)
- 36" - (x2)
- 39" - (x2)
- 48" - (x4)
- 60" - (x4)

J-Hooks



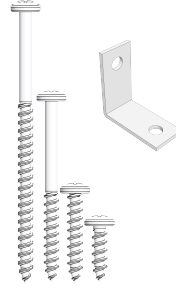
- 24" - (x2)
- 30" - (x2)
- 36" - (x2)
- 39" - (x2)
- 48" - (x4)
- 60" - (x4)

(x2) Hanging Rods of ordered size



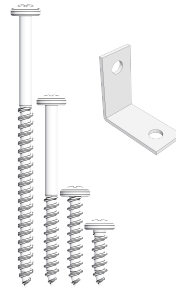
## A Wall Kit Includes

6' and 8' Kits Include:



- A1 - (x8) 5/8" Screws
- B1 - (x36) 1" Screws
- C1 - (x28) 2" Screws
- D1 - (x4) 3" Screws
- F1 - (x24) L-Brackets

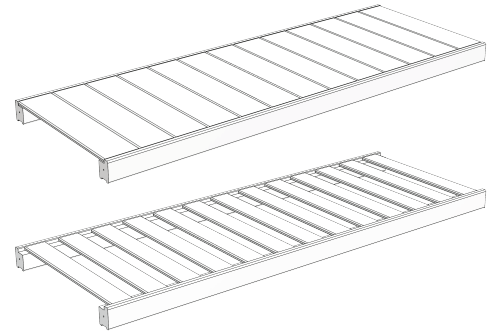
10' Kits Include:



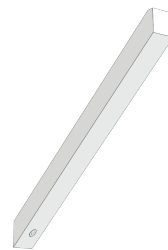
- A1 - (x8) 5/8" Screws
- B1 - (x48) 1" Screws
- C1 - (x32) 2" Screws
- D1 - (x4) 3" Screws
- F1 - (x24) L-Brackets

(Solid/Vented) Hanging Shelves

- 6' - 30" (x4)
- 8' - 39" (x4)
- 10' - 48" (x4)

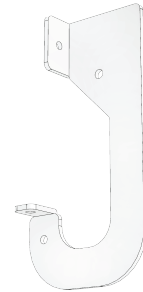


Angle Braces



- 6' - (x4)
- 8' - (x4)
- 10' - (x8)

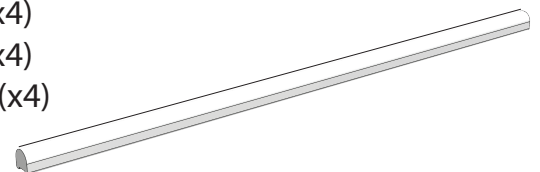
J-Hooks



- 6' - (x4)
- 8' - (x4)
- 10' - (x8)

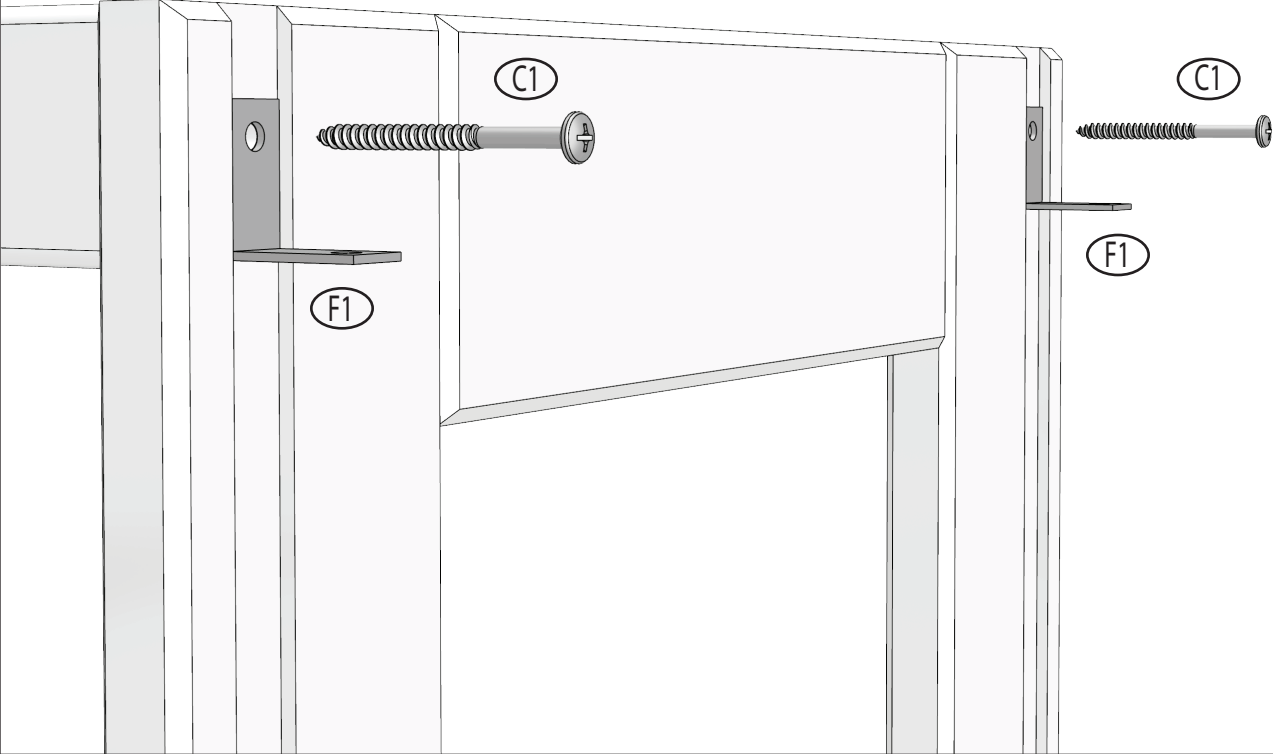
Hanging Rods

- 6' - 30" (x4)
- 8' - 39" (x4)
- 10' - 48" (x4)



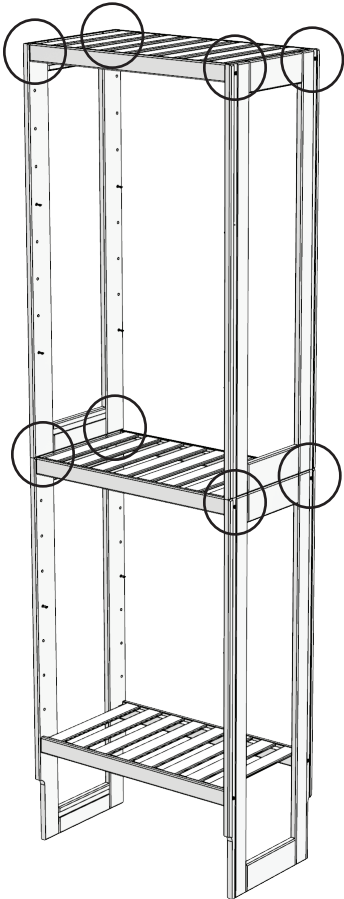
# Step 1 - Hanging Kit - Standard Hanging Option 1

1. Unscrew the 2" Screws (C1) used in the cubby instructions, Attach an L-bracket (F1) where you want your hanging shelves.

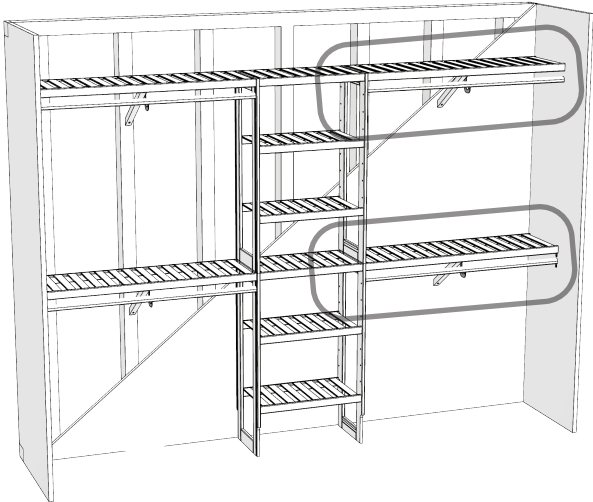


2. Place L-Brackets (F1) like so on all of these locations.

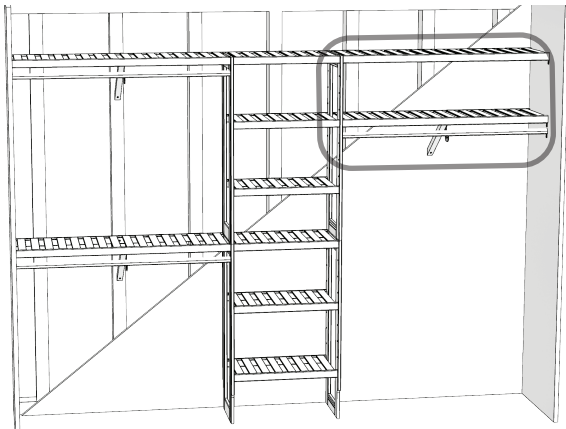
The cubby side is ready, read page # for wall mounting instructions



3. This setup will produce this Wall Kit

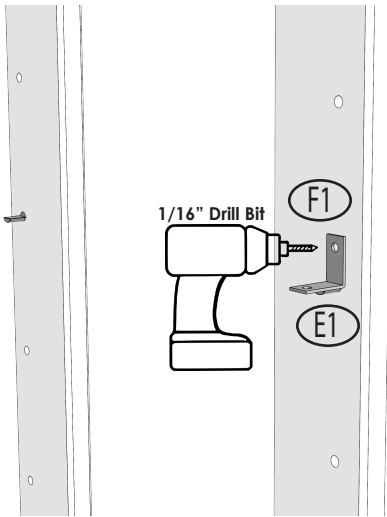


# Step 1 (Cont...) - Hanging Kit - Standard Hanging Options 2 & 3



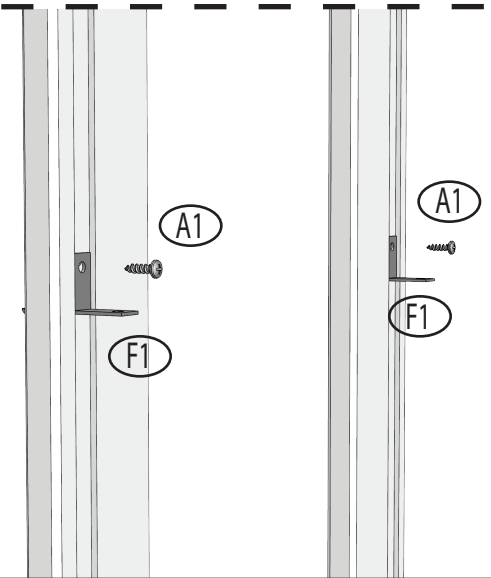
## Option 2

This setup will allow you to have a High Hanging section or a shelf that is connected to your adjustable shelving.



1. Find best placement for hanging shelf
2. Use Shelf Peg (E1) as a guide
3. Place L-Bracket (F1) on top of the Shelf Peg
4. Use 1/16" Drill bit to create a pilot hole for your shelf.

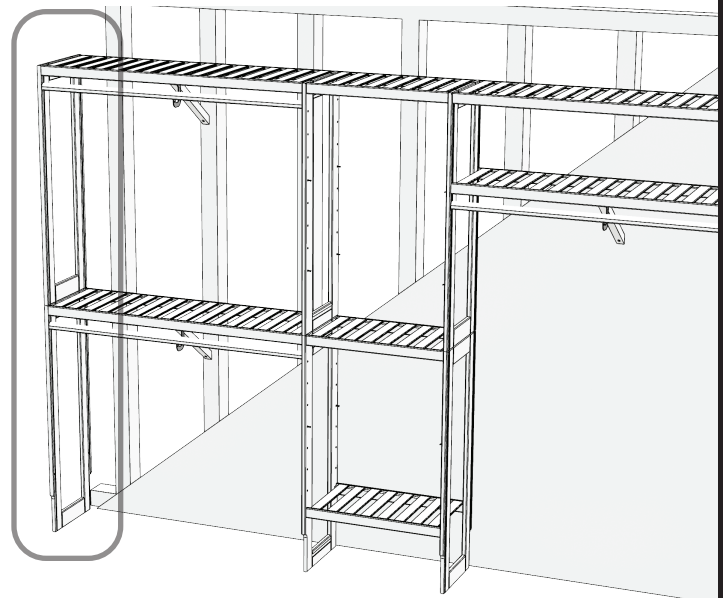
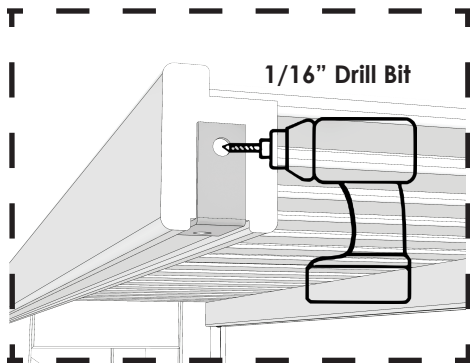
1. Use the same L-Brackets (F1)
2. Place them on hanging side
3. Use 5/8" Screws (A1) to secure them using the pilot holes.



## Option 3

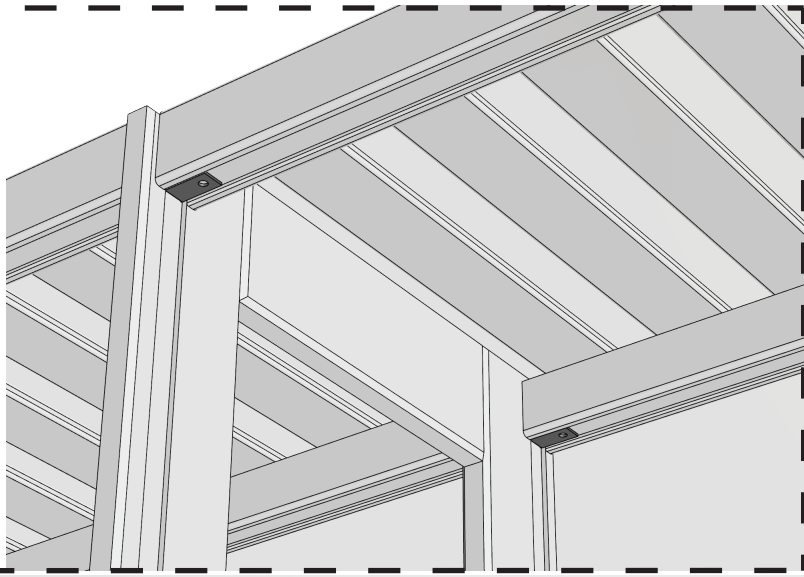
### Deluxe Panel or Cubby Attachment Set-up

If you are attaching this unit to a stand alone panel, simply use 2" screws (C1) to attach the shelves and rods. Always pre-drill your parts using an L-Bracket (F1) as a guide

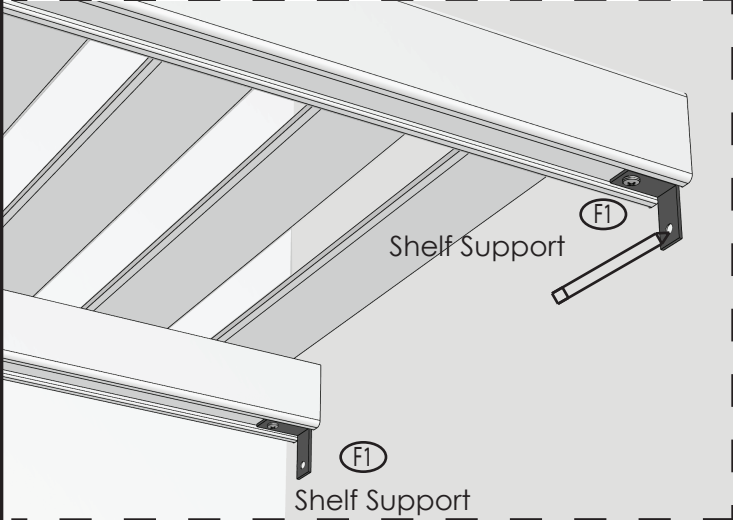
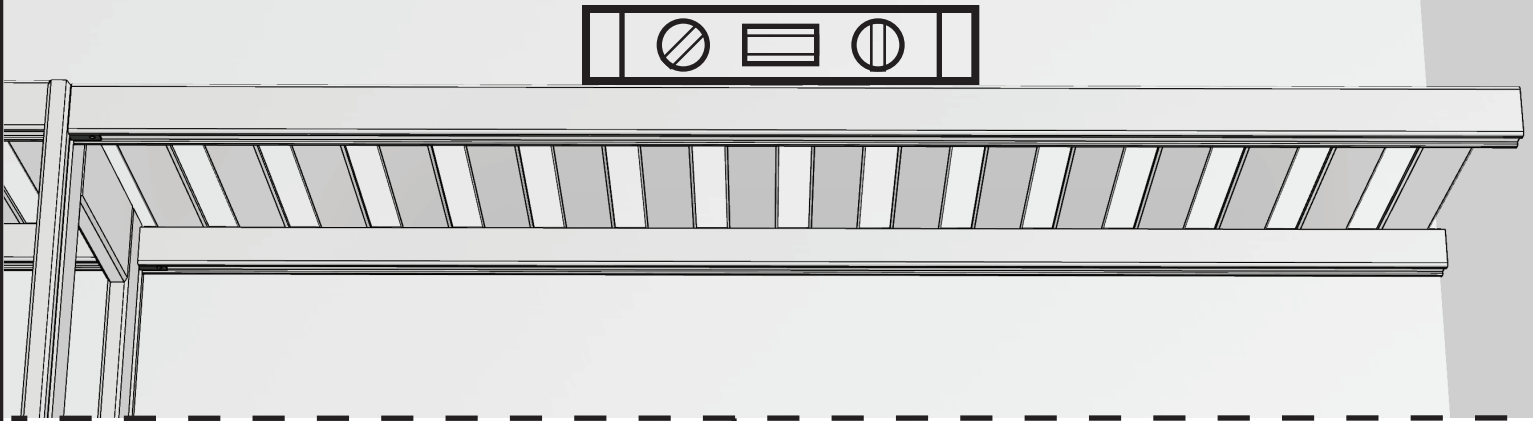


If you are attaching this unit to another cubby repeat options 1 and/or 2 so that the shelf will mount to the other cubby and the center unit of this wall kit

## Step 2 - Wall Attachment - Shelf

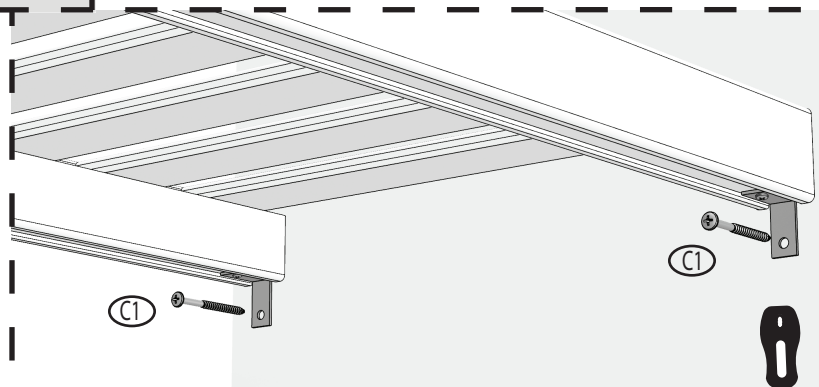


1. Using the L-brackets that were just attached and a level, align the shelf with the wall where you would like it to be connected.



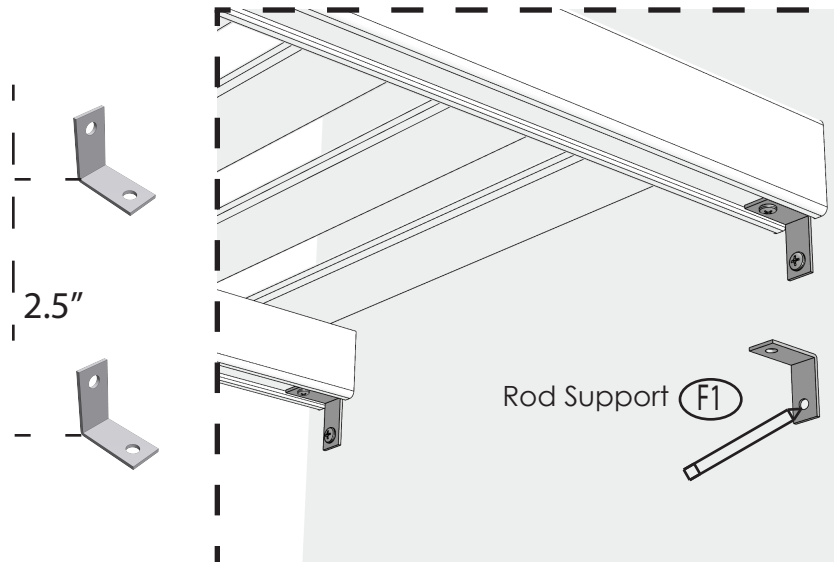
2. Attach the L-brackets (F1) to the shelf using 1" Screws (B1)
3. Mark the wall where the L-Brackets are needed.
4. (Optional) If using Wall Anchors, remove shelf and install anchors now.

5. Use 2" Screws (C1) for the L-Brackets and attach to a stud or use drywall anchors.



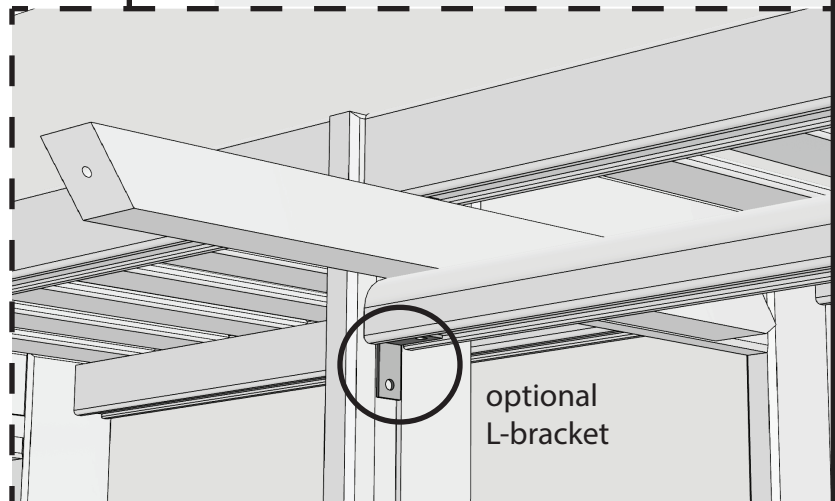
## Step 3 - Closet Rod Attachment

The lower L-Bracket (F1) is for Rod Support. If you are using a hanging rod, measure 2.5" away from the line you just made.

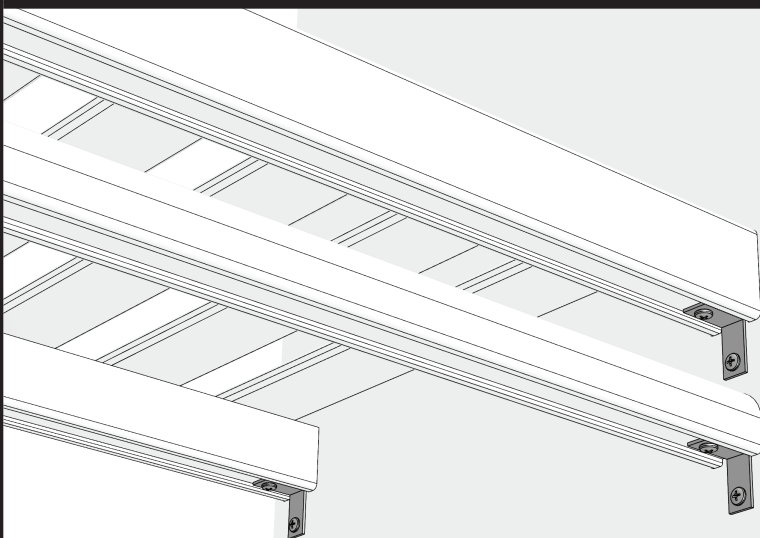


Tip: you can also use an angle brace that comes with your unit as a guide. Place one between the shelf and rod. Doing so shows proper rod placement.

You can either put a 2" screw (C1) through the panel into the closet rod or you can put a 5/8" screw (A1) into an L-bracket (F1) attached to the panel and a 1" screw (B1) into the closet rod.



optional L-bracket



### Wall Side:

Attach the rod to the wall (may need to cut to size if you have cut the shelf down). Use the Angle brace as a size guide between the shelf and the rod.

### Panel Side:

Make sure the rod is level. Drill a 1/16" pilot hole in the rod and in the panel and attach using a 2" screw (C1).



## Step 4 - Hanging Section

The hanging section should be supported every 20 to 24 inches from the wall or cubby unit. In the middle is best for kits with single support.

1. Attach the Angle Brace to the wall in a stud (or drywall anchor) using a 2" screw (C1).
2. Use 1" screws (B1) to attach the Brace and J-Hook together
3. Use 1" screws (B1) to attach the J-Hook and the Shelf together.
4. Use a 1" Screw (B1) to fasten the J-Hook to the Rod.
5. Attach the Shelf to the wall in a stud (or drywall anchor) using a 3" screw (D1).

