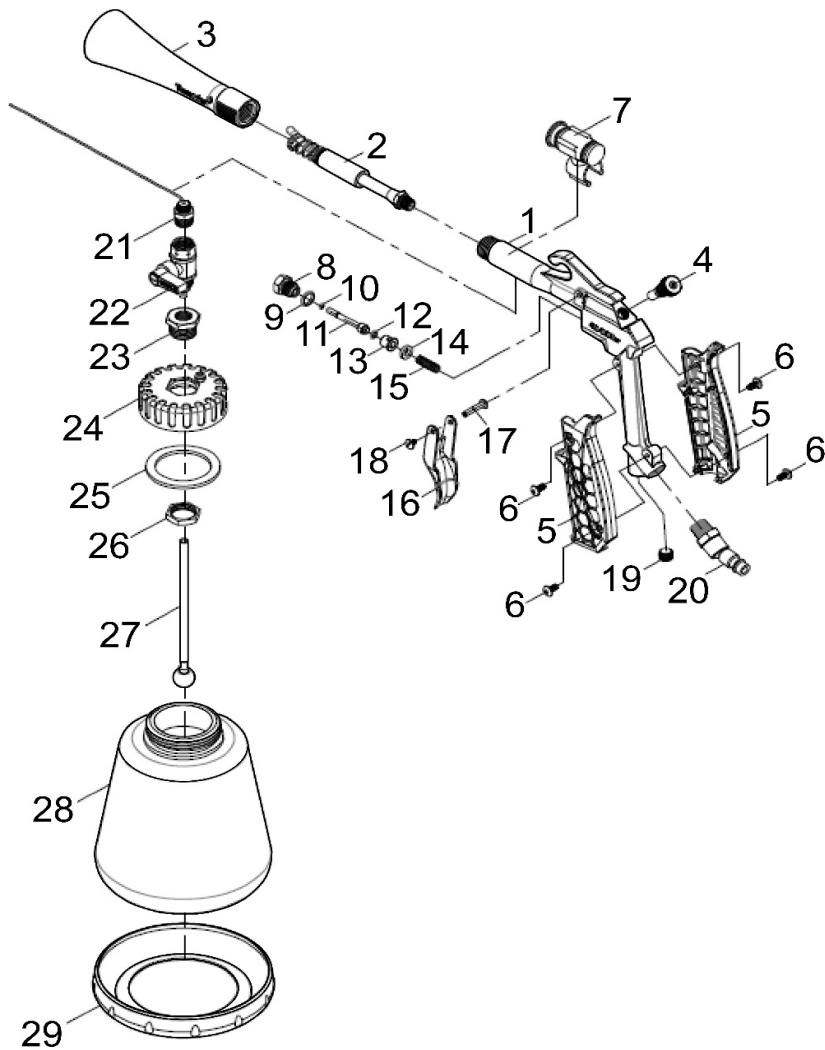


TORNADOR[®]MAX



Ref. No.	Tornador Part No.	Description	Q'ty /Tool	Ref. No.	Tornador Part No.	Description	Q'ty /Tool
1	TM-001	Housing	1	16	TM-005	Trigger	1
2	TM-002	Spring Rotate Set	1	17	CT-007	Pin	1
3	TB-100	Nozzle (Matt Finish)	1	18	CT-006	Screw	1
4	TM-003	Air Regulator Assembly	1	19	SPZ020S005	Screw	1
5	TM-009	Side Cap Assembly	1	20	TM-006	Swivel Air Inlet	1
	TM-010	Side Cap Assembly (Red)		21	TB-600	Inner Tube Assembly	1
	TM-012	Side Cap Assembly (Blue)		22	CT-700	Air Reverse Switch Assembly	1
6	TM-013	Screw	4	23	CT-016	Screw	1
7	TM-004	LED Light Assembly	1	24	CT-300	Cap (with hole) and Valve	1
8	CT-011-09-015	Screw	1		CT-400	Cap (closed)	1
9	In CT-010SK	O-Ring (9x2)	1	25	CT-018	Gasket (O-Ring) f. valve type	1
10	CT-030	O-Ring (2x1)	1	26	CT-419	Nut	1
11	CT-012	Valve Stem	1	27	VT-500	Tube Assembly	1
12	CT-025	O-Ring (3.5x1.5)	1	28	TM-007	Cup	1
13	CT-010	Bushing	1	29	TM-008	Cup Cover	
14	CT-011	Gasket	1		CT-420	Plunger Assembly	
15	CT-415	Spring	1	SK	CT-010SK	Tornador Service Kit	

CT-010SK Contains: #10 CT-030, #9 O'Ring, #12 CT-025, #14 CT-011, #25 CT-018, #15 CT-415

CT-420 Contains: #10 CT-030, #12 CT-025, #13 CT-010, #14 CT-011, #11 CT-012, #15 CT-415