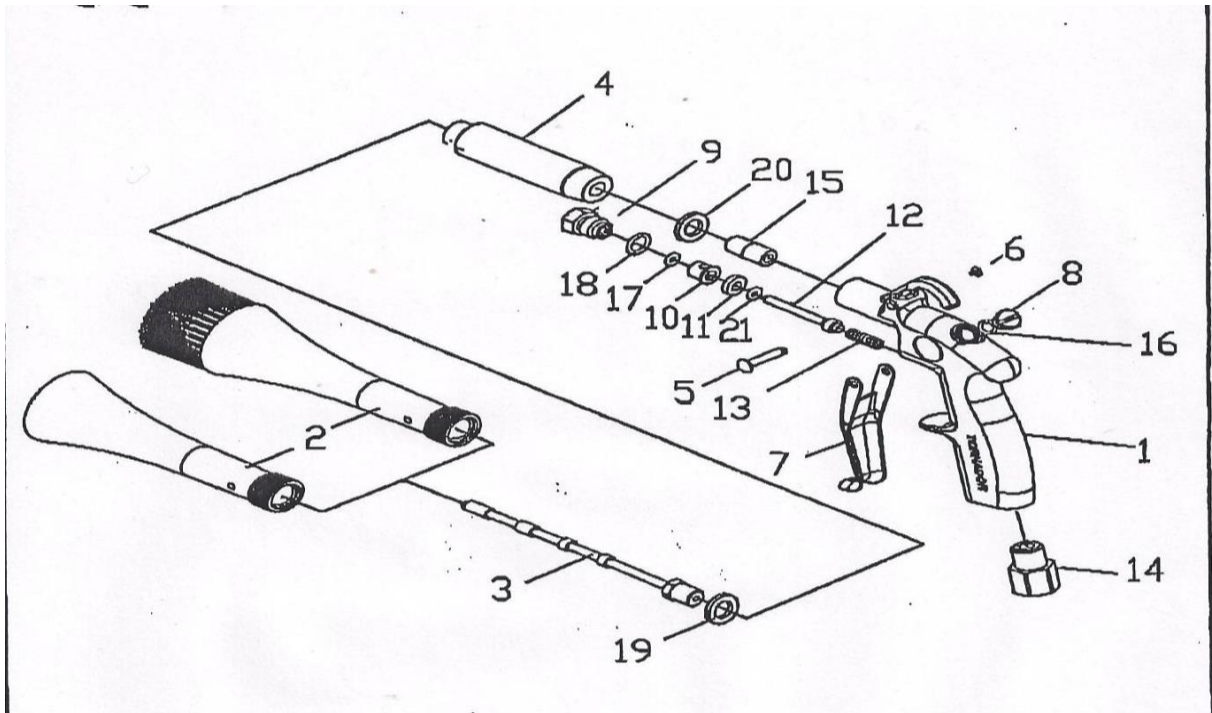


### Z-014 Tornador® Blow Out Tool



Ref. No.	Part No.	Description	Q'ty /Tool	Dehn's #	Ref. No.	Part No.	Description	Q'ty /Tool	Dehn's #
1	SPZ014001	Housing	1	<b>CT-001</b>	17	SPZ014017	O-ring 3.8x1.9	1	In <b>CT-010SK</b>
2	SPZ014002	Nozzle	1	<b>CT-100</b>	18	SPZ014018	O-ring 9.3x1.7	1	In <b>CT-010SK</b>
	SPZ014B02	Nozzle with brush		<b>CT-900</b>	19	SPZ014019	Gasket 10x16	1	<b>CT-102</b>
	SPZ014002A	Nozzle with stain		<b>CT-190</b>	20	SPZ014020	Gasket 14.5x2	1	<b>CT-228</b>
3	SPZ014003	Weighted Tube A	1	<b>CT-101</b>					
4	SPZ014004	Hose	1	<b>CT-414</b>					
5	SPZ014005A	Trigger Pin	1	<b>CT-007</b>					
6	SPZ014006A	Screw	1	<b>CT-006</b>					
7	SPZ014007	Trigger	1	<b>CT-009</b>					
8	SPZ014008	Screw	1	<b>CT-008</b>					
9	SPZ014009	Screw	1	<b>CT-011-09-015</b>					
10	SPZ014010	Bushing	1	<b>CT-010</b>					
11	SPZ014011	Gasket	1	<b>CT-011</b>					
12	SPZ014012	Valve Stem	1	<b>CT-012</b>					
13	SPZ014013	Spring 0.7x4.5x5	1	<b>CT-415</b>			CT-010, CT-011, CT-012		<b>CT-420</b>
14	SPZ014014A	Air Inlet 1/4"PF	1	<b>x</b>			CT-025, CT-030, CT-415		
	SPZ014014B	Air Inlet 1/4"PT	1	<b>CT-022</b>					
	SPZ014014C	Air Inlet 1/4"NPT	1	<b>x</b>					
	SPZ014014D	Air Inlet 1/4"PT 9	1	<b>x</b>					
15	SPZ014015	Screw	1	<b>CT-023</b>	SK	SPZ0100SK	Service Kit Ref. No.--		<b>CT-010SK</b>
16	SPZ014016	O-ring 5.5x1.5	1	In <b>CT-010S</b>			11,13,16,17,18		