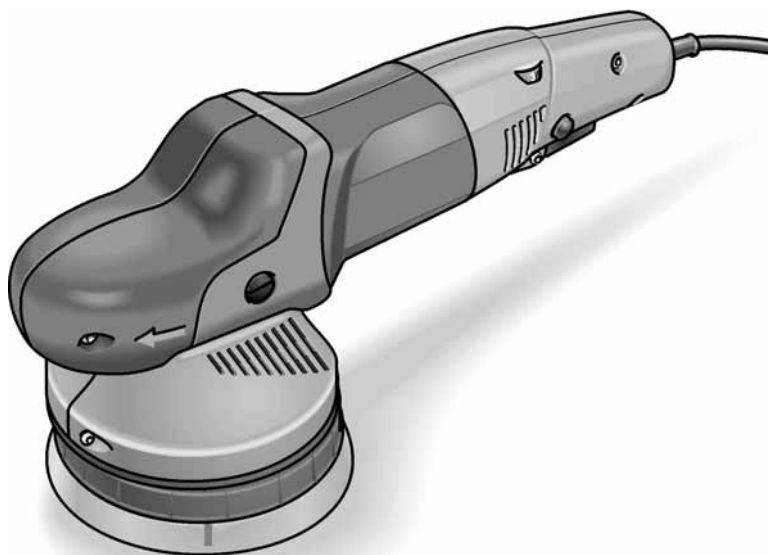


XFE 7-15
XCE 10-8



en	Instruction manual.....	3
fr	Notice d'utilisation	15
es	Instrucciones de funcionamiento	30

Contents

Meanings of signal words	3
Important safety informations	3
GENERAL POWER TOOL SAFETY	
WARNINGS	4
SPECIFIC SAFETY RULES	
AND SYMBOLS	6
Technical specifications	9
Overview	10
Operating instructions	11
Maintenance and care	12
Warranty	14

Meanings of signal words



WARNING indicates a potentially hazardous situations which, if ignored, could result in death or serious injury.



CAUTION indicates a potentially hazardous situations which, if not avoided, may result in minor or moderate injury, or may cause machine damage.



NOTE emphasizes essential information.

Important safety informations

Read and understand all of the safety precautions, warnings and operating instructions in the Instruction manual before operating or maintaining this power tool.

Most accidents that result from power tool operation and maintenance are caused by the failure to observe basic safety rules or precautions.

An accident can often be avoided by recognizing a potentially hazardous situation before it occurs, and by observing appropriate safety procedures.

Basic safety precautions are outlined in the "SAFETY" section of this Instruction manual and in the sections which contain the operation and maintenance instructions.

Hazards that must be avoided to prevent bodily injury or machine damage are identified by WARNINGS on the power tool and in this Instruction manual.

NEVER use this power tool in a manner that has not been specifically recommended by FLEX.

Intended use

This hand-operated orbital polisher is designed

- for industrial applications,
- for all types of polishing work, e.g. paint-work on vehicles, furniture and metal surfaces, etc. with polishing sponge, lambswool and wool pads,
- for use with polishing tools which are permitted to run at a speed of at least 500 r.p.m.

GENERAL POWER TOOL SAFETY WARNINGS



WARNING:

Read all safety warnings and all instructions.

Failure to follow the warnings and instructions may result in electric shock, fire and/or serious injury.

Save all warnings and instructions for future reference.

The term “power tool” in all of the warnings refers to your mains-operated (corded) power tool or battery-operated (cordless) power tool.

1. Work area safety

(a) Keep work area clean and well lit.

Cluttered and dark areas invite accidents.

(b) Do not operate power tools in explosive atmospheres, such as in the presence of flammable liquids, gases or dust.

Power tools create sparks which may ignite the dust or fumes.

(c) Keep children and bystanders away while operating a power tool.

Distractions can cause you to lose control.

2. Electrical safety

(a) Power tool plugs must match the outlet. Never modify the plug in any way. Do not use any adapter plugs with earthed (grounded) power tools.

Unmodified plugs and matching outlets will reduce risk of electric shock.

(b) Avoid body contact with earthed or grounded surfaces such as pipes, radiators, ranges and refrigerators. There is an increased risk of electric shock if your body is earthed or grounded.

(c) Do not expose power tools to rain or wet conditions. Water entering a power tool will increase the risk of electric shock.

(d) Do not abuse the cord. Never use the cord for carrying, pulling or unplugging the power tool. Keep cord away from heat, oil, sharp edges or moving parts. Damaged or entangled cords increase the risk of electric shock.

(e) When operating a power tool outdoors, use an extension cord suitable for outdoor use. Use of a cord suitable for outdoor use reduces the risk of electric shock.

(f) If operating a power tool in a damp location is unavoidable, use a Ground Fault Circuit Interrupter (GFCI) protected supply. Use of a GFCI reduces the risk of electric shock.

3. Personal safety

(a) Stay alert, watch what you are doing and use common sense when operating a power tool. Do not use a power tool while you are tired or under the influence of drugs, alcohol or medication. A moment of inattention while operating power tools may result in serious personal injury.

(b) Use personal protective equipment. Always wear eye protection. Protective equipment such as dust mask, non-skid safety shoes, hard hat, or hearing protection used for appropriate conditions will reduce personal injuries.

(c) Prevent unintentional starting. Ensure the switch is in the off-position before connecting to power source and/or battery pack, picking up or carrying the tool.

Carrying power tools with your finger on the switch or energizing power tools that have the switch on invites accidents.

(d) Remove any adjusting key or wrench before turning the power tool on.

A wrench or a key left attached to a rotating part of the power tool may result in personal injury.

(e) Do not overreach. Keep proper footing and balance at all times.

This enables better control of the power tool in unexpected situations.

(f) Dress properly. Do not wear loose clothing or jewellery. Keep your hair, clothing and gloves away from moving parts. Loose clothes, jewellery or long hair can be caught in moving parts.

(g) If devices are provided for the connection of dust extraction and collection facilities, ensure these are connected and properly used. Use of dust collection can reduce dust-related hazards.

(h) Do not let familiarity gained from frequent use of tools allow you to become complacent and ignore tool safety principles. A careless action can cause severe injury within a fraction of a second.

4. Power tool use and care

(a) Do not force the power tool. Use the correct power tool for your application. The correct power tool will do the job better and safer at the rate for which it was designed.

(b) Do not use the power tool if the switch does not turn it on and off.

Any power tool that cannot be controlled with the switch is dangerous and must be repaired.

(c) Disconnect the plug from the power source and/or the battery pack from the power tool before making any adjustments, changing accessories, or storing power tools. Such preventive safety measures reduce the risk of starting the power tool accidentally.

(d) Store idle power tools out of the reach of children and do not allow persons unfamiliar with the power tool or these instructions to operate the power tool. Power tools are dangerous in the hands of untrained users.

(e) Maintain power tools. Check for misalignment or binding of moving parts, breakage of parts and any other condition that may affect the power tools operation. If damaged, have the power tool repaired before use. Many accidents are caused by poorly maintained power tools.

(f) Keep cutting tools sharp and clean.

Properly maintained cutting tools with sharp cutting edges are less likely to bind and are easier to control.

(g) Use the power tool, accessories and tool bits etc., in accordance with these instructions and in the manner intended for the particular type of power tool, taking into account the working conditions and the work to be performed. Use of the power tool for operations different from those intended could result in a hazardous situation.

(h) Keep handles and grasping surfaces dry, clean and free from oil and grease. Slippery handles and grasping surfaces do not allow for safe handling and control of the tool in unexpected situations.

5. Battery tool use and care

(a) Recharge only with the charger specified by the manufacturer. A charger that is suitable for one type of battery pack may create a risk of fire when used with another battery pack.

(b) Use power tools only with specifically designated battery packs. Use of any other battery packs may create a risk of injury and fire.

(c) When battery pack is not in use, keep it away from other metal objects, like paper clips, coins, keys, nails, screws or other small metal objects, that can make a connection from one terminal to another. Shorting the battery terminals together may cause burns or a fire.

(d) Under abusive conditions, liquid may be ejected from the battery; avoid contact. If contact accidentally occurs, flush with water. If liquid contacts eyes, additionally seek medical help. Liquid ejected from the battery may cause irritation or burns.

6. Service

(a) Have your power tool serviced by a qualified repair person using only identical replacement parts. This will ensure that the safety of the power tool is maintained.

(b) Preventative maintenance performed by unauthorized personnel may result in misplacing of internal wires and components which could cause serious hazard. We recommend that all tool service be performed by a FLEX Factory Service Center or Authorized FLEX Service Station.

SPECIFIC SAFETY RULES AND SYMBOLS

1. Safety Warnings Common for Polishing Operations

(a) This power tool is intended to function as a polisher. Read all safety warnings, instructions, illustrations and specifications provided with this power tool.

Failure to follow all instructions listed below may result in electric shock, fire and/or serious injury.

(b) Operations such as grinding, sanding, wire brushing, or cutting-off are not recommended to be performed with this power tool.

Operations for which the power tool was not designed may create a hazard and cause personal injury.

(c) Do not use accessories which are not specifically designed and recommended by the tool manufacturer. Just because the accessory can be attached to your power tool, it does not assure safe operation.

(d) The rated speed of the accessory must be at least equal to the maximum speed marked on the power tool. Accessories running faster than their rated speed can break and fly apart.

(e) The outside diameter and the thickness of your accessory must be within the capacity rating of your power tool.

Incorrectly measured insertion tools cannot be adequately shielded or controlled.

(f) Sanding discs, sanding pads or other accessories must fit exactly on the grinding spindle of your electric power tool.

Insertion tools, which do not fit exactly on the grinding spindle of the electric power tool, rotate unevenly, vibrate violently and may result in loss of control.

(g) Do not use a damaged accessory. Before use, always check insertion tools for splinters and cracks, sanding pad for cracks, wear and severe abrasion. If power tool or accessory is dropped, inspect for damage or install an undamaged accessory. After inspecting and installing an accessory, position yourself and bystanders away from the plane of the rotating accessory and run the power tool at maximum no-load speed for one minute.

Damaged accessories will normally break apart during this test time.

(h) Wear personal protective equipment. Depending on application, use face shield, safety goggles or safety glasses.

If appropriate, wear a dust mask, hearing protection, protective gloves and/or a special apron which protect you from small sanding and material particles.

The eye protection must be capable of stopping flying debris generated by various operations. The dust mask or respirator must be capable of filtering particles generated by your operation. Prolonged exposure to high intensity noise may cause hearing loss.

(i) Keep bystanders a safe distance away from work area. Anyone entering the work area must wear personal protective equipment. Fragments of workpiece or of a broken accessory may fly away and cause injury beyond immediate area of operation.

(j) Hold power tool by insulated gripping surfaces only, when performing an operation where the cutting accessory may contact hidden wiring or its own cord.

Cutting accessory contacting a “live” wire may make exposed metal parts of the power tool “live” and shock the operator.

(k) Position the cord clear of the spinning accessory. If you lose control, the cord may be cut or snagged and your hand or arm may be pulled into the spinning accessory.

(l) Never lay the power tool down until the accessory has come to a complete stop.

The spinning accessory may grab the surface and pull the power tool out of your control.

(m) Do not run the power tool while carrying it at your side. Accidental contact with the spinning accessory could snag your clothing, pulling the accessory into your body.

(n) Regularly clean the power tool's air vents. The motor's fan will draw the dust inside the housing and excessive accumulation of powdered metal may cause electrical hazards.

(o) Do not operate the power tool near flammable materials. Sparks could ignite these materials.

(p) Do not use accessories that require liquid coolants. Using water or other liquid coolants may result result in electrocution or shock.

2. Kickback and Related Warnings

Kickback is the sudden reaction to a pinched or snagged rotating insertion tool, such as a sanding disc, sanding pad, wire brush, etc. Pinching or snagging may cause a rotating insertion tool to stop abruptly.

For example, if an abrasive wheel is snagged or pinched by the workpiece, the edge of the wheel that is entering into the pinch point can dig into the surface of the material causing the wheel to climb out or kick out. The wheel may either jump toward or away from the operator, depending on direction of the wheel's movement at the point of pinching. Abrasive wheels may also break under these conditions.

For example, if a sanding disc is snagged or pinched by the workpiece, the edge of the sanding disc which is entering the workpiece may become caught and cause the sanding disc to break off or kick back. The sanding disc then moves towards or away from the operator, depending on the direction in which the disc is rotating at the point of pinching. Sanding discs may also break under these conditions.

A recoil occurs if the electric power tool is used incorrectly or improperly.

A recoil can be prevented by appropriate precautions as described below.

(a) Maintain a firm grip on the power tool and position your body and arm to allow you to resist kickback forces. Always use auxiliary handle, if provided, for maximum control over kickback or torque reaction during start-up.

The operator can control torque reactions or kickback forces, if proper precautions are taken.

(b) Never place your hand near the rotating accessory. Accessory may kickback over your hand.

(c) Do not position your body in the area where power tool will move if kickback occurs. Kickback propels the electric power tool in the direction opposite to the movement of the sanding disc at the point of pinching.

(d) Use special care when working corners, sharp edges etc. Avoid bouncing and snagging the accessory. Corners, sharp edges or bouncing have a tendency to snag the rotating accessory and cause loss of control or kickback. This causes a loss of control or kickback.

(e) Do not attach a saw chain woodcarving blade or toothed saw blade. Such blades create frequent kickback and loss of control.

3. Special safety instructions for polishing

(a) Do not allow any loose portion of the polishing bonnet or its attachment strings to spin freely. Tuck away or trim any loose attachment strings.

Loose and spinning attachment strings can entangle your fingers or snag on the workpiece.

4. Additional Warnings

- (a) The mains voltage and the voltage specifications on the rating plate must correspond.
- (b) Do not press the spindle lock until the tool stops.
- (c) Some dust created by power sanding, sawing, grinding, drilling and other construction activities contains chemicals known to the State of California to cause cancer, birth defects or other reproductive harm. Some examples of these chemicals are:

- Lead from lead-based paints.
- Crystalline silica from bricks, cement, and other masonry products.
- Arsenic and chromium from chemically-treated lumber.




Your risk from these exposures varies, depending upon how often you do this type of work. To reduce your exposure to these chemicals:

- Work in a well-ventilated area.
- Work with approved safety equipment, such as dust masks that are specially designed to filter out microscopic particles.
- Avoid prolonged contact with dust from power sanding, sawing, grinding, drilling, and other construction activities. Wear protective clothing and wash exposed areas with soap and water. Allowing dust to get into your mouth or eyes or to lie on the skin may promote absorption of harmful chemicals.


5. Definitions for units and symbols used on this tool

- V.....volts
- A.....amperes
- Hzhertz

- W..... watts
- n_0 no load speed
- .../min or min^{-1} revolutions or reciprocations per minute (rpm)
- \varnothing diameter
- ~ alternating current

-  class II tool
-  Wear goggles!
-  Read the instructions!

6. Double insulation for safer operation

To ensure safer operation of this power tool, FLEX has adopted a double insulation design. "Double insulation" means that two physically separated insulation systems have been used to insulate the electrically conductive materials connected to the power supply from the outer frame handled by the operator. Therefore, either the symbol  or the words "Double insulation" appear on the power tool or on the nameplate.


Although this system has no external grounding, you must still follow the normal electrical safety precautions given in this Instruction Manual, including not using the power tool in wet environments.

To keep the double insulation system effective, follow these precautions:

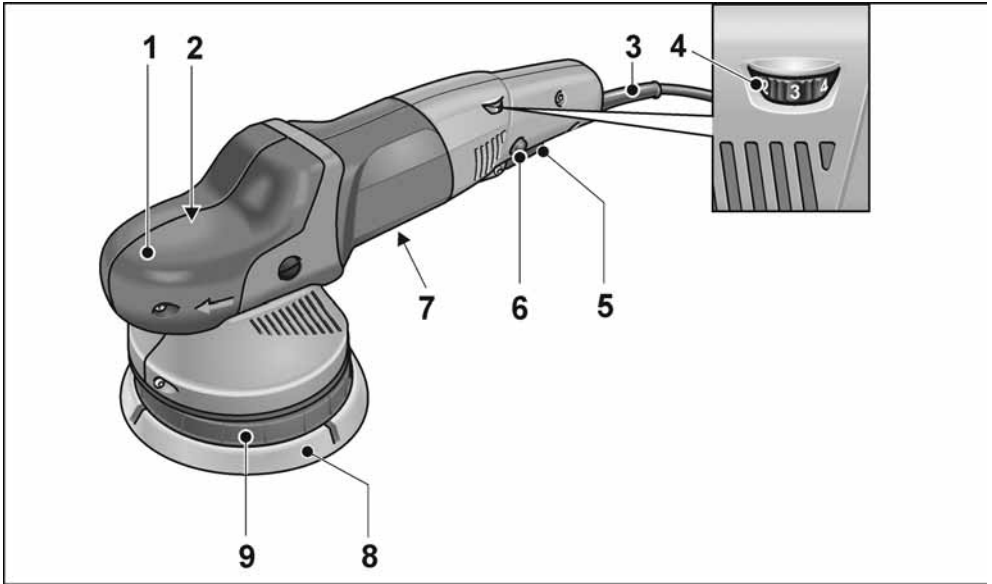
- Only FLEX AUTHORIZED SERVICE CENTER should disassemble or assemble this power tool, and only genuine FLEX replacement parts should be installed.
- Clean the exterior of the power tool only with a soft cloth moistened with soapy water, and dry thoroughly.
- Never use solvents, gasoline or thinners on plastic components; otherwise the plastic may dissolve.

SAVE THESE INSTRUCTIONS AND MAKE THEM AVAILABLE TO OTHER USERS AND OWNERS OF THIS TOOL!

Technical specifications

		XFE 7-15	XCE 10-8
Machine type		Orbital polisher	
Mains voltage	V/Hz	120/60	
Power input	AMP	8.6	8.7
Tool holder	mm (in)	Velcro Ø 125 (5) / 150 (6)	
Tool Ø max.	mm (in)	160 (6.5)	
Orbit	mm (in)	15 (0.59)	8 (0.31)
Orbit rate	min ⁻¹	3,000-9,000	
Speed (velcro backing pad)	r.p.m.	–	150-450
Weight (without power cord)	kg (lbs)	2.4 (5.28)	2.6 (5.72)
Safety class		II / 	

Overview



- 1 Grip hood**
With air outlet and direction-of-rotation arrow.
- 2 Gear head ***
- 3 4.0 m (13 ft.) power cord with plug**
- 4 Dial for preselecting the speed**
- 5 Switch**
Switches the power tool on and off and also accelerates it up to the preselected speed.
- 6 Locking button**
Locks the switch (5) during continuous operation.

- 7 Rating plate ***
 - 8 Velcro pad**
 - 9 Disc support**
- Torx wrench T20 *

* not illustrated

Operating instructions



WARNING



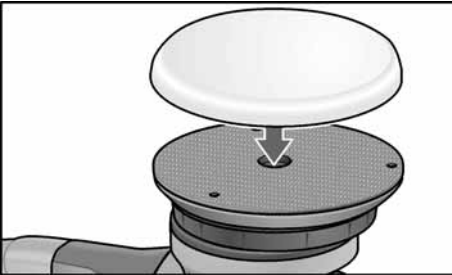
Risk of electric shock! Before carrying out any work on the power tool, always pull out the mains plug.

Before switching on the power tool

Unpack the polisher and check that there are no missing or damaged parts.

Attaching or changing the polishing tool

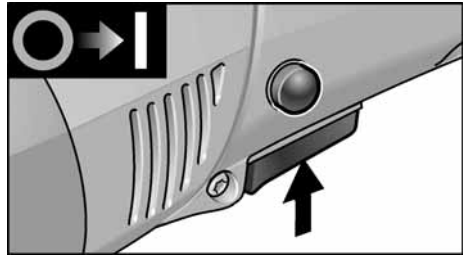
- Pull out the mains plug.



- Firmly press polishing tool, centred on the eye, onto the Velcro pad (8). Use undamaged polishing tools only.
- Insert the mains plug into the socket.
- Switch on the polisher (without engaging it) and run the polisher for approx. 30 seconds. Check for imbalances and vibrations.
- Switch off the polisher.

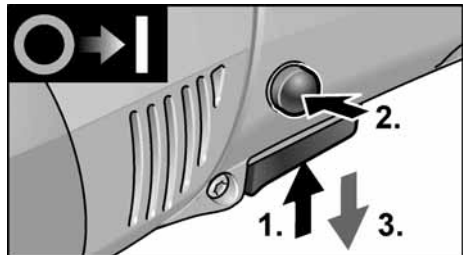
Switch on and off

Brief operation without engaged switch rocker

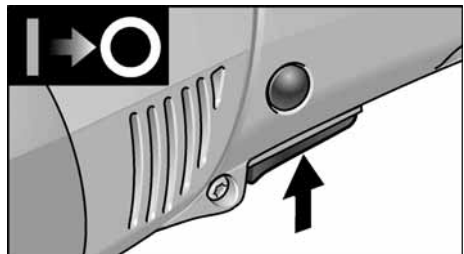


- Press and hold down the switch.
- To switch off, release the switch.

Continuous operation with engaged switch rocker



- Press and hold down the switch.
- To lock into position, hold down the locking button and release the switch.



- To switch off, briefly press and release the switch.

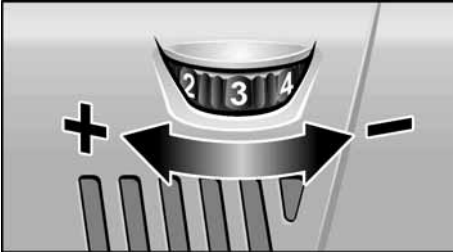
Preselecting the speed



CAUTION



Risk of injury due to destruction of the tool.
Use the appropriate tool for the job.



To set the operating speed, move the dial to the required value.

- 1 = lowest speed
- 6 = highest speed

Gently press the switch (5) to accelerate the power tool up to the preselected speed.



NOTE



If an overload or overheating occurs during continuous operation, the power tool automatically reduces the speed until the power tool has cooled down adequately.

Operating informations



CAUTION



When the power tool is switched off, the polishing tool continues running briefly.

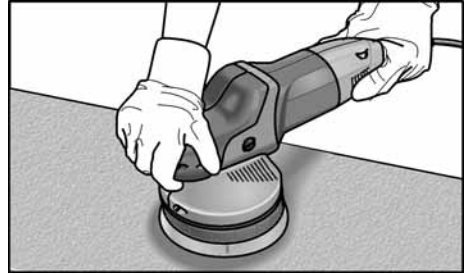


NOTE



Following a tool change (e.g. wool pad instead of polishing sponge), the difference in weight may increase the vibrations. Change the operating speed with the adjusting wheel (4) until the vibrations have been reduced.

- Switch on the machine before placing it on the surface which is to be polished and run the polisher up to the set speed.



- Applying light contact pressure, move the polisher in circular, overlapping movements on the surface which is to be polished in order to obtain a good polishing finish and to ensure that the tool has a long service life.
- On sensitive surfaces (e.g. car paint-work) do not work aggressively but work at slow speeds applying low contact pressure.
- If using a polishing paste, use the respective tool for each paste.

Maintenance and care



WARNING



Risk of electric shock! Before carrying out any work on the power tool, always pull out the mains plug.

Cleaning

Regularly clean the power tool and ventilation slots. Frequency of cleaning is dependent on the material and duration of use. Regularly blow out the housing interior and motor with dry compressed air.



CAUTION



Risk of injury! Wear safety glasses while using compressed air.

All plastic parts should be cleaned with soft damp cloth. NEVER use solvents to clean plastic parts. They could possibly dissolve or otherwise damage the material.

Brush inspection and lubrication

For your continued safety and electrical protection, brush inspection and replacement on this tool should **ONLY** be performed by an authorized service center for FLEX Power Tools.

At approximately 100 hours of use, take or send your tool to your nearest authorized service center for FLEX Power Tools to be thoroughly cleaned and inspected; worn parts replaced; and when necessary, relubricated with fresh lubricant if required; reassembled with new brushes; and performance tested.

Any loss of power before the above maintenance check may indicate the need for immediate servicing of your tool.

DO NOT CONTINUE TO OPERATE TOOL UNDER THIS CONDITION.

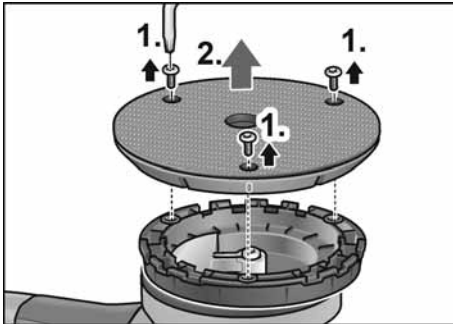
If proper operating voltage is present, return your tool to a FLEX authorized service center for immediate service.

Gear housing

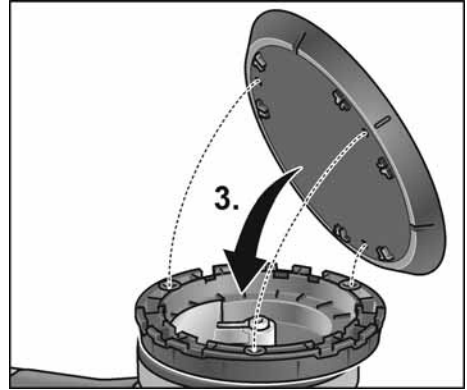
The gear housing (2) should never be loosened or opened, except by a FLEX authorized service center. Doing so will void the product warranty.

Change Velcro pad

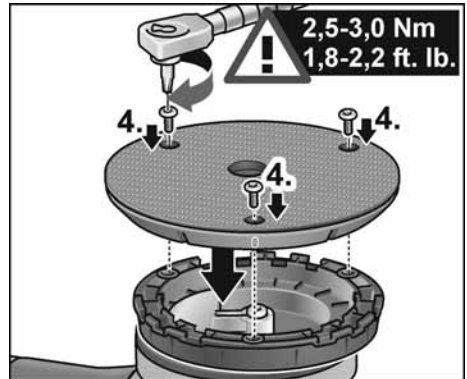
- Pull out the mains plug.
- Remove the polishing tool.
- Place machine on its back.



- Release and remove screws with Torx wrench (1.).
- Remove worn Velcro pad (2.).
- Remove contaminants from interior.



- Align securing holes and fit new Velcro pad (3.).



- Insert screws and tighten with Torx wrench (4.). (Tightening torque 2.5-3.0 Nm (1.8-2.2 ft. lb.))
- Carry out test run. Check for imbalances and vibrations.



CAUTION



An incorrect torque setting can damage the tool and the surfaces being worked on.

Repairs

All quality tools will eventually require servicing or replacement of parts due to wear from normal use. These operations, including brush inspection and replacement, should **ONLY** be performed by an authorized service center for FLEX Power Tools. All repairs made by these agencies are fully guaranteed against defective material and workmanship.

We cannot guarantee repairs made or attempted by anyone other than these agencies.

Should you have any questions about your tool, feel free to write us at any time. In any communications, please give all information shown on the nameplate of your tool (model number, type, serial number, etc.).

Spare parts and accessories



NOTE



Only the tools released by FLEX may be used.

For other accessories, in particular tools and polishing aids, see the manufacturer's catalogues.

Exploded drawings and spare-part lists can be found on our homepage:

www.flex-tools.com

Warranty

FLEX North America limited one year Warranty

FLEX North America warrants its Professional Power Tools for a period of one year from the date of original purchase. We will repair or replace at our option, any part or parts of the product and accessories covered under this warranty, which, after examination, prove(s) to be defective in workmanship or material during the warranty period. For repair or replacement, return the complete tool or accessory, transportation prepaid, to your nearest Authorized Service Station.

Proof of purchase may be required.

This warranty does not apply to repair or replacement due to misuse, abuse, normal wear and tear or repairs attempted or made by someone other than our Authorized Service Stations.

ANY IMPLIED WARRANTY, INCLUDING THE IMPLIED WARRANTIES OF MERCHANTABILITY AND FITNESS FOR PARTICULAR PURPOSE, WILL LAST ONLY FOR ONE (1) YEAR FROM THE DATE OF PURCHASE.

To obtain information on warranty performance, please write to:

Chervon North America, Inc.
1203 East Warrenville Road
Naperville, IL 60563 USA
Phone 1-833-353-9496
www.flexpowertools.com

THE FOREGOING OBLIGATION IS FLEX NORTH AMERICA'S SOLE LIABILITY UNDER THIS OR ANY IMPLIED WARRANTY AND UNDER NO CIRCUMSTANCES SHALL FLEX NORTH AMERICA BE LIABLE FOR ANY INCIDENTAL OF CONSEQUENTIAL DAMAGES.

Some states do not allow limitations on how long an implied warranty lasts or the exclusion or limitation of incidental or consequential damages, so the above limitation or exclusion may not apply to you. This warranty gives you specific legal rights and you may also have other legal rights, which vary from state to state.

Sommaire

Symboles utilisés	15
Informations de sécurité importantes	15
INDICATIONS GÉNÉRALES DE SÉCURITÉ	16
RÈGLES ET SYMBOLES SPÉCIFIQUES DE SÉCURITÉ	19
Caractéristiques techniques	23
Vue d'ensemble	24
Instructions d'utilisation	25
Maintenance et nettoyage	26
Garantie	28

Symboles utilisés



AVERTISSEMENT



Un texte précédé du terme AVERTISSEMENT signale une situation potentiellement dangereuse qui, si vous n'en tenez pas compte, s'assortit d'un danger de mort ou de blessures graves.



PRUDENCE



Un texte précédé du terme PRUDENCE signale une situation potentiellement dangereuse qui, si vous n'en tenez pas compte, s'assortit d'un risque de blessure mineure ou modéré, ou d'endommagement de la machine.



REMARQUE



Le terme REMARQUE met en évidence des informations essentielles.

Informations de sécurité importantes

Avant d'utiliser ou d'entretenir cet outil électroportatif, veuillez lire et bien assimiler tous les textes sur les précautions de sécurité, les avertissements et les instructions d'utilisation énoncées dans la présente notice d'utilisation.

La plupart des accidents provoqués par des outils électroportatifs en fonctionnement et lors de leur maintenance sont causés par le fait que des règles ou précautions de sécurité de base n'ont pas été respectées. Il est souvent possible d'éviter un accident en anticipant une situation potentiellement dangereuse avant même qu'elle n'apparaisse, et en respectant les procédures de sécurité appropriées.

Les précautions de sécurité de base à prendre sont décrites au chapitre « SÉCURITÉ » de cette notice d'utilisation et aux chapitres contenant les instructions d'utilisation et de maintenance.

Les risques à éviter pour éviter des dommages corporels et d'endommager la machine sont identifiés par des MENTIONS D'AVERTISSEMENT sur l'outil électroportatif et dans la présente notice d'utilisation. N'utilisez JAMAIS cet outil électroportatif d'une façon qui n'a pas été spécifiquement recommandée par FLEX.

Conformité d'utilisation

Cette polisseuse excentrique guidée manuellement est destinée

- aux applications professionnelles dans l'industrie et l'artisanat.
- aux travaux de polissage de toute sorte, par exemple des surfaces laquées sur les véhicules, surfaces de meubles et surfaces métalliques, etc., avec des éponges à polir, des toisons d'agneau et toisons en laine,
- à monter sur des outils à polir homologués pour tourner au minimum à 500 t/mn.

INDICATIONS GÉNÉRALES DE SÉCURITÉ



AVERTISSEMENT !

Veillez lire toutes les consignes de sécurité et instructions.

Si les consignes d'avertissement et instructions ne sont pas correctement respectées, cela engendre un risque d'électrocution, d'incendie et / ou de blessures graves.

Veillez conserver toutes les consignes de sécurité et instructions dans un endroit sûr pour pouvoir les consulter ultérieurement.

La notion d' « outil électroportatif » mentionnée par la suite se rapporte à des outils électriques raccordés au secteur (avec câble de raccordement) et à des outils électriques à batterie (sans câble de raccordement).

1. Place de travail

(a) Maintenez l'endroit de travail propre et bien éclairé. Un lieu de travail en désordre ou mal éclairé augmente le risque d'accidents.

(b) N'utilisez pas l'appareil dans un environnement présentant des risques d'explosion et où se trouvent des liquides, des gaz ou poussières inflammables. Les outils électroportatifs génèrent des étincelles risquant d'enflammer les poussières ou les vapeurs.

(c) Tenez les enfants et autres personnes éloignés durant l'utilisation de l'outil électroportatif. En cas d'inattention vous risquez de perdre le contrôle sur l'appareil.

2. Sécurité relative au système électrique

(a) La fiche de secteur de l'outil électroportatif doit être appropriée à la prise de courant. Ne modifiez en aucun cas la fiche. N'utilisez pas de fiches d'adaptateur avec des appareils avec mise à la terre. Les fiches non modifiées et les prises de courant appropriées réduisent le risque de choc électrique.

(b) Évitez le contact physique avec des surfaces mises à la terre tels que tuyaux, radiateurs, fours et réfrigérateurs. Il y a un risque élevé de choc électrique au cas où votre corps serait relié à la terre.

(c) N'exposez pas l'outil électroportatif à la pluie ou à l'humidité. La pénétration d'eau dans un outil électroportatif augmente le risque d'un choc électrique.

(d) N'utilisez pas le câble à d'autres fins que celles prévues, n'utilisez pas le âble pour porter l'appareil ou pour l'accrocher ou encore pour le débrancher de la prise de courant. Maintenez le câble éloigné des sources de chaleur, des parties grasses, des bords tranchants ou des parties de l'appareil en rotation. Un câble endommagé ou torsadé augmente le risque d'un choc électrique.

(e) Au cas où vous utiliseriez l'outil électroportatif à l'extérieur, utilisez une rallonge autorisée homologuée pour les applications extérieures. L'utilisation d'une rallonge électrique homologuée pour les applications extérieures réduit le risque d'un choc électrique.

(f) S'il est absolument nécessaire d'utiliser l'outil électroportatif dans un endroit humide, utilisez une alimentation protégée par un disjoncteur de fuite de terre (GFCI). L'utilisation d'un disjoncteur GFCI réduit les risques de choc électrique.

3. Sécurité des personnes

(a) Restez vigilant, surveillez ce que vous faites. Faites preuve de bon en utilisant l'outil électroportatif. N'utilisez pas l'appareil lorsque vous êtes fatigué ou après avoir consommé de l'alcool, des drogues ou avoir pris des médicaments.

Un moment d'inattention lors de l'utilisation de l'appareil peut entraîner de graves blessures pour les personnes.

(b) Portez des équipements de protection. Portez toujours des lunettes de protection.

Le fait de porter des équipements de protection personnels tels que masque anti-poussières, chaussures de sécurité antidérapantes, casque de protection ou protection acoustique suivant le travail à effectuer, réduit le risque de blessures pour les personnes.

(c) Évitez les démarrages intempestifs.

Assurez-vous que l'interrupteur est dans la position arrêt avant de brancher l'outil dans une prise de courant et/ou un bloc-piles, de le ramasser ou de le transporter. Le transport d'un outil électroportatif avec le doigt sur la gâchette ou le branchement de cet outil quand l'interrupteur est en position de marche est une invite aux accidents.

(d) Enlevez tout outil de réglage ou toute clé avant de mettre l'appareil en fonctionnement. Une clé ou un outil se trouvant sur une partie en rotation peut causer des blessures.

(e) Ne surestimez pas vos capacités. Veillez à garder toujours une position stable et équilibrée. Ceci vous permet de mieux contrôler l'appareil dans des situations inattendues.

(f) Portez des vêtements appropriés. Ne portez pas de vêtements amples ni de bijoux. Maintenez cheveux, vêtements et gants éloignés des parties de l'appareil en rotation. Des vêtements amples, des bijoux ou des cheveux longs peuvent être happés par des pièces en mouvement.

(g) Si des dispositifs servant à aspirer ou à recueillir les poussières doivent être utilisés, vérifiez que ceux-ci soient effectivement raccordés et qu'ils sont correctement utilisés. L'utilisation de tels dispositifs réduit les dangers dus aux poussières.

(h) Rester vigilant et ne pas négliger les principes de sécurité de l'outil sous prétexte que vous avez l'habitude de l'utiliser. Une fraction de seconde d'inattention peut provoquer une blessure grave.

4. Utilisation et emploi soigneux de l'outil électroportatif

(a) Ne surchargez pas l'appareil. Utilisez l'outil électroportatif approprié au travail à effectuer. Avec l'outil électroportatif approprié, vous travaillerez mieux et avec plus de sécurité à la vitesse pour laquelle il est prévu.

(b) N'utilisez pas un outil électroportatif dont l'interrupteur est défectueux. Un outil électroportatif qui ne peut plus être mis en ou hors fonctionnement est dangereux et doit être réparé.

(c) Retirez la fiche de la prise de courant avant d'effectuer des réglages sur l'appareil, de changer les accessoires, ou de ranger l'appareil. Cette mesure de précaution empêche une mise en fonctionnement par mégarde.

(d) Gardez les outils électroportatifs non utilisés hors de portée des enfants. Ne permettez pas l'utilisation de l'appareil à des personnes qui ne se sont pas familiarisées avec celui-ci ou qui n'ont pas lu ces instructions. Les outils électroportatifs sont dangereux lorsqu'ils sont utilisés par des personnes non initiées.

(e) Prenez soin des outils électroportatifs. Vérifiez que les parties en mouvement fonctionnent correctement et qu'elles ne soient pas coincées, et contrôlez si des parties sont cassées ou endommagées de telle sorte que le bon fonctionnement de l'appareil s'en trouve entravé. Faites réparer les parties endommagées avant d'utiliser l'appareil. De nombreux accidents sont dus à des outils électroportatifs mal entretenus.

(f) Maintenez les outils de coupe aiguisés et propres. Des outils soigneusement entretenus avec des bords tranchants bien aiguisés se coincent moins souvent et peuvent être guidés plus facilement.

(g) Utilisez les outils électroportatifs, les accessoires, les outils à monter etc. conformément à ces instructions et aux prescriptions en vigueur pour ce type d'appareil. Tenez compte également des conditions de travail et du travail à effectuer.

L'utilisation des outils électroportatifs à d'autres fins que celles prévues peut entraîner des situations dangereuses.

(h) Il faut que les poignées et les surfaces de préhension restent sèches, propres et dépourvues d'huiles et de graisses. Des poignées et des surfaces de préhension glissantes rendent impossibles la manipulation et le contrôle en toute sécurité de l'outil dans les situations inattendues.

5. Utilisation des outils fonctionnant sur batteries et précautions d'emploi

(a) Ne recharger qu'avec le chargeur spécifié par le fabricant. Un chargeur qui est adapté à un type de bloc de batteries peut créer un risque de feu lorsqu'il est utilisé avec un autre type de bloc de batteries.

(b) N'utiliser les outils qu'avec des blocs de batteries spécifiquement désignés.

L'utilisation de tout autre bloc de batteries peut créer un risque de blessure et de feu.

(c) Lorsqu'un bloc de batteries n'est pas utilisé, le maintenir à l'écart de tout autre objet métallique, par exemple trombones, pièces de monnaie, clés, clous, vis ou autres objets de petite taille qui peuvent donner lieu à une connexion d'une borne à une autre. Le court-circuitage des bornes d'une batterie entre elles peut causer des brûlures ou un feu.

(d) Dans de mauvaises conditions, du liquide peut être éjecté de la batterie; éviter tout contact. En cas de contact accidentel, nettoyer à l'eau. Si le liquide entre en contact avec les yeux, rechercher en plus une aide médicale. Le liquide éjecté des batteries peut causer des irritations ou des brûlures.

6. Service

(a) Faites réparer votre outil électroportatif par un technicien compétent n'utilisant que des pièces d'origine identiques.

Ceci assurera le maintien de la sécurité de l'outil électroportatif.

(b) Une maintenance préventive effectuée par des personnes non autorisées pourrait causer un placement inapproprié de fils et composants internes constituant un danger grave. Nous recommandons que toutes les réparations d'outils électroportatifs soient effectuées par un centre de service du FLEX ou un centre agréé de service après-vente FLEX.

RÈGLES SPÉCIFIQUES DE SÉCURITÉ ET SYMBOLES

1. Consignes de sécurité pour le polissage

(a) Cet outil électroportatif est à utiliser comme polisseuse. Veuillez respecter toutes les consignes de sécurité, instructions, illustrations et données reçues avec l'appareil. Si vous ne respectez pas les instructions qui suivent, vous risquez une électrocution, de provoquer un incendie et / ou des blessures graves.

(b) Cet outil électroportatif ne permet pas de meuler, poncer avec du papier émeri, travailler avec des brosses à crins métalliques et des disques de tronçonnage. Les formes d'utilisation non prévues de cet outil électroportatif peuvent engendrer des risques et des blessures.

(c) Ne pas utiliser d'accessoires non conçus spécifiquement et recommandés par le fabricant d'outils. Le simple fait que l'accessoire puisse être fixé à votre outil électrique ne garantit pas un fonctionnement en toute sécurité.

(d) La vitesse assignée de l'accessoire doit être au moins égale à la vitesse maximale indiquée sur l'outil électrique.

Les accessoires fonctionnant plus vite que leur vitesse assignée peuvent se rompre et voler en éclat.

(e) Le diamètre extérieur et l'épaisseur de votre accessoire doivent se situer dans le cadre des caractéristiques de capacité de votre outil électrique. Les accessoires dimensionnés de façon incorrecte ne peuvent pas être protégés ou commandés de manière appropriée.

(f) Les disques abrasifs, plateaux de ponçage et autres accessoires doivent correspondre exactement à la broche de ponçage de votre outil électroportatif.

Les outils mis en œuvre ne correspondant pas exactement à la broche de ponçage de votre outil électroportatif tournent irrégulièrement, vibrent très fortement et peuvent vous faire perdre le contrôle de ce dernier.

(g) Ne pas utiliser d'accessoire endommagé. Avant chaque utilisation, vérifiez si des parties des outils mis en œuvre se sont détachées par éclats, si ces outils présentent des fissures ; vérifiez si les plateaux de ponçage présentent des fissures, ou des traces de (forte) usure. Si l'outil électrique ou l'outil monté chutent, vérifiez s'ils sont endommagés ou utilisez un outil intact. Après avoir contrôlé et monté l'outil, faites tourner l'appareil pendant une minute à la vitesse maximale en vous tenant, vous et d'autres personnes proches de vous, loin du plan de l'outil installé en train de tourner. Les accessoires endommagés seront normalement détruits pendant cette période d'essai.

(h) Porter un équipement de protection individuelle. En fonction de l'application, utiliser un écran facial, des lunettes de sécurité ou des verres de sécurité.

Si nécessaire, portez un masque à poussière, un casque anti-bruit, des gants de protection ou une blouse spéciale faisant barrage aux particules poncées et de matière. La protection oculaire doit être capable d'arrêter les débris volants produits par les diverses opérations. Le masque antipoussières ou le respirateur doit être capable de filtrer les particules produites par vos travaux. L'exposition prolongée aux bruits de forte intensité peut provoquer une perte de l'audition.

(i) Maintenir les personnes présentes à une distance de sécurité par rapport à la zone de travail. Toute personne entrant dans la zone de travail doit porter un équipement de protection individuelle.

Des fragments de pièce à usiner ou d'un accessoire cassé peuvent être projetés et provoquer des blessures en dehors de la zone immédiate d'opération.

(j) Ne tenez l'appareil que par ses poignées isolantes lors de travaux au cours desquels l'outil installé risque de toucher des câbles électriques invisibles ou le cordon d'alimentation de l'appareil.

Le contact avec une ligne électrique peut mettre les pièces métalliques sous tension et provoquer une électrocution.

(k) Placer le câble éloigné de l'accessoire de rotation. Si vous perdez le contrôle, le câble peut être coupé ou subir un accroc et votre main ou votre bras peut être tiré dans l'accessoire de rotation.

(l) Ne jamais reposer l'outil électrique avant que l'accessoire n'ait atteint un arrêt complet. L'accessoire de rotation peut agripper la surface et arracher l'outil électrique hors de votre contrôle.

(m) Ne pas faire fonctionner l'outil électrique en le portant sur le côté. Un contact accidentel avec l'accessoire de rotation pourrait accrocher vos vêtements et attirer l'accessoire sur vous.

(n) Nettoyer régulièrement les orifices d'aération de l'outil électrique. Le ventilateur du moteur attirera la poussière à l'intérieur du boîtier et une accumulation excessive de poudre de métal peut provoquer des dangers électriques.

(o) Ne pas faire fonctionner l'outil électrique à proximité de matériaux inflammables.

Des étincelles pourraient enflammer ces matériaux.

(p) N'utilisez jamais d'outils requérant un liquide de refroidissement. L'utilisation d'eau ou d'autres liquides de refroidissement peut provoquer une électrocution.

2. Rebonds et mises en garde correspondantes

Un recul brutal est la réaction qu'engendre un outil en train de tourner (meule, plateau de ponçage, brosse à crins métalliques, etc.) et qui vient subitement d'accrocher un objet ou de se bloquer. Un accrochage ou blocage provoque un arrêt brutal de l'outil installé qui était en train de tourner. De ce fait, un outil électroportative non fermement tenue subit une accélération en sens opposé de celui de l'outil installé. Si p. ex. une meule se coince ou se bloque dans la pièce, l'arête qui plonge dans la pièce peut stopper brutalement et provoquer la cassure de la meule ou un recul brutal. Dans ce cas, la meule se déplace dans un sens la rapprochant ou l'éloignant

de l'opérateur, tout dépend du sens dans lequel la meule tournait à l'endroit où elle s'est bloquée. Ce phénomène peut faire casser les meules.

Le recul brutal est engendré par une utilisation erronée ou inexperte de l'outil électrique. Le rebond résulte d'un mauvais usage de l'outil et / ou de procédures ou de conditions de fonctionnement incorrectes et peut être évité en prenant les précautions appropriées spécifiées ci-dessous.

(a) Maintenir fermement l'outil électrique et placer votre corps et vos bras pour vous permettre de résister aux forces de rebond. Toujours utiliser une poignée auxiliaire, le cas échéant, pour une maîtrise maximale du rebond ou de la réaction de couple au cours du démarrage. L'opérateur peut maîtriser les couples de réaction ou les forces de rebond, si les précautions qui s'imposent sont prises.

(b) Ne jamais placer votre main à proximité de l'accessoire en rotation. L'accessoire peut effectuer un rebond sur votre main.

(c) Ne pas vous placer dans la zone où l'outil électrique se déplacera en cas de rebond. Le choc du recul force l'outil électrique à tourner en direction opposée à celle de la meule à l'endroit où cette dernière s'est bloquée.

(d) Apporter un soin particulier lors de travaux dans les coins, les arêtes vives etc. Éviter les rebondissements et les accrochages de l'accessoire. En tournant, l'outil en place tend à se coincer dans les angles, au contact d'arêtes vives ou en cas d'impact. Ceci provoque une perte de contrôle ou un recul brutal.

(e) Ne pas fixer de chaîne coupante, de lame de sculpture sur bois, de chaîne coupante ni de lame de scie dentée. De telles lames provoquent des rebonds fréquents et des pertes de contrôle.

3. Consignes de sécurité particulières pour le polissage

(a) **Ne permettez jamais que des parties de la coiffe à polir se détachent, en particulier les cordelettes de fixation. Rangez ou raccourcissez les cordelettes de fixation.** Les cordelettes de fixation mal fixées et entrées elles aussi en rotation peuvent happer vos doigts ou se prendre dans la pièce.

4. Autres consignes de sécurité

(a) **La tension du secteur et celle indiquée sur la plaque signalétique doivent concorder.**

(b) **N'appuyez sur le dispositif de blocage de la broche qu'une fois que l'outil s'est immobilisé.**

(c) **La poussière créée pendant le ponçage, le sciage, le polissage, le perçage et d'autres activités mécaniques liées à la construction peut contenir des produits chimiques reconnus par l'État de la Californie comme étant la cause de cancer, d'anomalies congénitales et d'autres problèmes liés aux fonctions reproductrices.** Voici des exemples de ces produits chimiques :




- du plomb provenant de peintures à base de plomb;
- de la silice cristalline provenant de la brique, du ciment ou d'autres matériaux de maçonnerie;
- de l'arsenic et du chrome provenant du bois d'œuvre traité avec un produit chimique.

Les risques liés à l'exposition à ces produits varient selon le nombre de fois où vous pratiquez ces activités. Pour réduire votre exposition à ces produits chimiques :

- travaillez dans un endroit bien ventilé;

- munissez-vous de l'équipement de sécurité approuvé tel que des masques antipoussières conçus spécialement pour filtrer les particules microscopiques;
- évitez l'exposition prolongée à la poussière causée par le ponçage mécanique, le sciage, le polissage, le perçage et d'autres activités liées à la construction; Portez un équipement de protection et lavez à l'eau et au savon toutes les parties exposées. Les poussières pénétrant dans votre bouche ou dans vos yeux et les poussières se déposant sur votre peau peuvent causer l'absorption de produits chimiques dangereux.


5. Définitions des unités et symboles apposés sur cet outil

V.....	volts
A.....	ampères
Hz.....	hertz
W.....	watt
n_o	vitesse à vide
.. /min ou min^{-1}	nombre de tours par minute
\emptyset	diamètre
\sim	courant alternatif
	Classe de protection II
	Portez des lunettes de protection!
	Lire la notice d'instructions !

6. Double isolation pour un fonctionnement plus sûr

Pour garantir que cet outil électroportatif fonctionne de façon encore plus sûre, FLEX a adopté le concept de la double isolation. « Double isolation » signifie que deux systèmes d'isolation physiquement séparés l'un de l'autre ont été utilisés pour isoler les matériaux électroconducteurs, raccordés au secteur, par rapport au corps extérieur

de l'appareil manié par l'opérateur.

Par conséquent, l'appareil arbore soit le symbole  , soit les 2 termes « Double insulation », soit sur son boîtier soit sur la plaque signalétique.


Bien que ce système ne présente pas de borne de terre externe, vous devrez néanmoins respecter les précautions de sécurité électrique fournies dans cette notice d'instructions, ces précautions incluant de ne pas utiliser l'outil électroportatif dans des environnements mouillés.

Pour que le double système d'isolation demeure efficace, respectez les précautions suivantes :

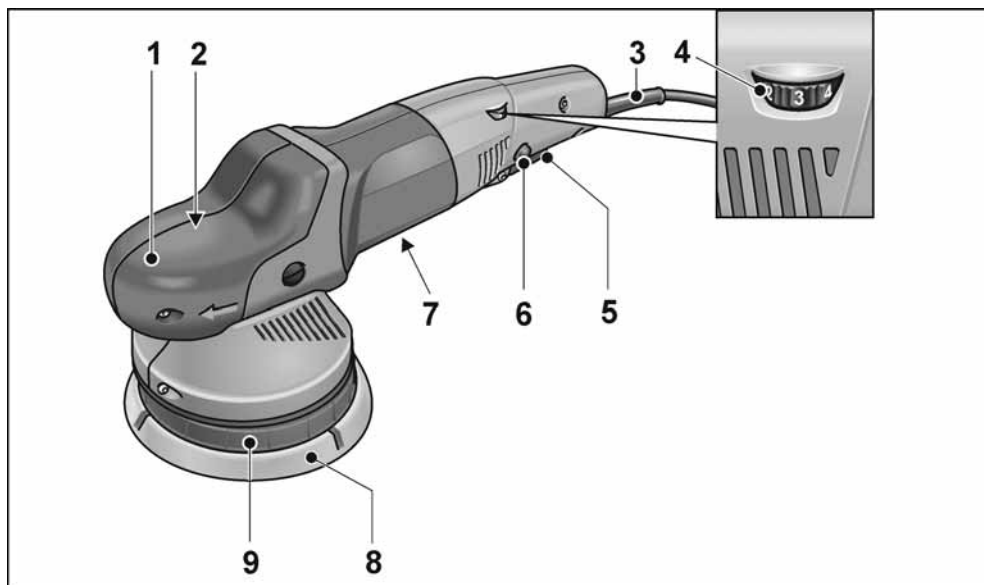
- Il ne faut confier qu'au CENTRE AGRÉÉ DE SAV FLEX le démontage ou l'assemblage de cet outil électroportatif, et n'installer que des pièces de rechange FLEX d'origine.
- Ne nettoyez les surfaces extérieures de l'outil électroportatif qu'avec un chiffon doux humecté d'un peu d'eau savonneuse, puis séchez à fond.
- N'utilisez jamais de solvants, d'essence ou de diluants sur les pièces en plastique car ils risquent sinon de dissoudre le plastique.

**CONSERVEZ CES INSTRUCTIONS ET COMMUNIQUEZ-LES
À D'AUTRES UTILISATEURS ET PROPRIÉTAIRES DE L'OUTIL !**

Caractéristiques techniques

		XFE 7-15	XCE 10-8
Type d'appareil		Polisseuse excentrique	
Tension du secteur	V/Hz	120 / 60	
Puissance absorbée	AMP	8,6	8,7
Epaisseur de l'outil de polissage	mm (in)	Plateau auto-agrippant Ø 125 (6) / 150 (6)	
Ø max. de l'outil de polissage	mm (in)	160 (6,5)	
Course	mm (in)	15 (0,59)	8 (0,31)
Nombre de courses	min ⁻¹	3.000-9.000	
Vitesse de rotation (plateau auto-agrippant)	tr / mn	–	150-450
Poids (sans le cordon)	kg (lbs)	2,4 (5,28)	2,6 (5,72)
Classe de protection		II / 	

Vue d'ensemble



- 1 **Capot à poignée**
Avec sortie d'air et flèche directionnelle.
- 2 **Boîte d'engrenages ***
- 3 **Cordon d'alimentation électrique de 4,0 m, terminé par une fiche mâle**
- 4 **Molette de pré réglage de la vitesse**
- 5 **Interrupteur**
Pour allumer et éteindre la polisseuse, ainsi que pour la faire accélérer jusqu'à la vitesse présélectionnée.
- 6 **Cran d'arrêt**
Il maintient l'interrupteur (5) en position de marche permanente

- 7 **Plaque signalétique ***
- 8 **Plateau auto-agrippant (Velcro)**
- 9 **Fixation de plateau**

Clé Torx T20 *

* non représenté

Instructions d'utilisation

AVERTISSEMENT

Risque d'un choc électrique !

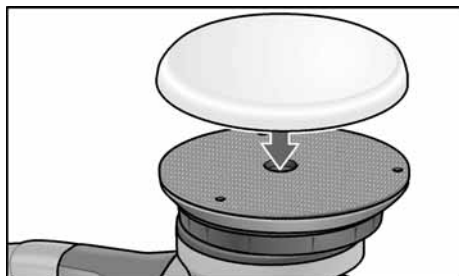
Avant d'effectuer tous travaux sur la machine, débranchez la fiche mâle de la prise de courant.

Avant la mise en service

Déballiez la polisseuse et contrôlez que la livraison est au complet et si elle présente des dégâts survenus en cours de transport.

Fixez l'outil de meulage ou changez-le

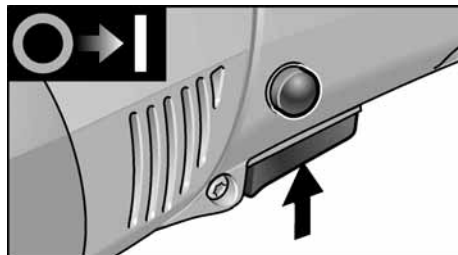
- Débranchez la fiche mâle de la prise de courant.



- Centrez le moyen de polissage sur l'œillet puis appuyez-le fermement sur le plateau auto-agrippant (8). N'utilisez qu'un outil à polir intact.
- Branchez la fiche mâle dans la prise de courant.
- Enclenchez la polisseuse (sans faire encranger l'interrupteur) puis laissez-la tourner pendant 30 secondes environ. Contrôlez l'absence de balourds et de vibrations.
- Eteignez la polisseuse.

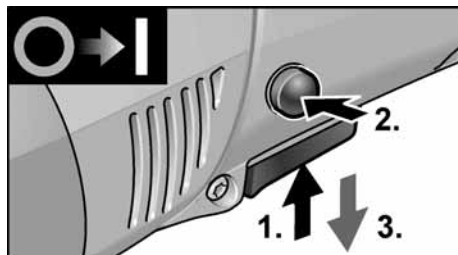
Enclenchement et coupure

Marche de courte durée, sans activer le cran d'arrêt

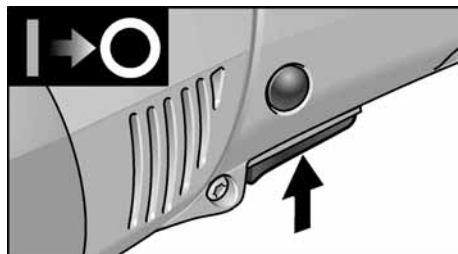


- Appuyez sur l'interrupteur et retenez-le.
- Pour éteindre la polisseuse, relâchez l'interrupteur.

Marche permanente avec encratage



- Appuyez sur l'interrupteur et retenez-le.
- Pour que le cran encoche, maintenez le bouton de verrouillage appuyé puis relâchez l'interrupteur.



- Pour éteindre l'appareil, appuyez brièvement sur l'interrupteur puis relâchez-le.

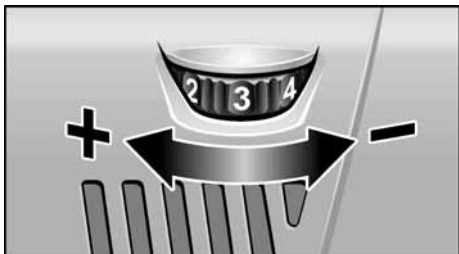
Présélection de la vitesse



PRUDENCE



Risque de blessures en cas de destruction de l'outil. Utilisez des outils adaptés à la tâche.



Pour régler la vitesse de travail, amenez la molette sur le chiffre souhaité.

- 1 = plus basse vitesse
- 6 = vitesse maximale

Modifiez avec doigté le réglage de l'interrupteur (5) pour que l'appareil accélère jusqu'à la vitesse présélectionnée



REMARQUE



En cas de surcharge ou de surchauffe en marche permanente, l'appareil réduit sa vitesse automatiquement jusqu'à ce qu'il ait suffisamment refroidi.

Informations sur l'utilisation



PRUDENCE



Lorsque vous éteignez l'outil électroportatif, l'outil de meulage monté dessus continue de tourner brièvement par inertie.

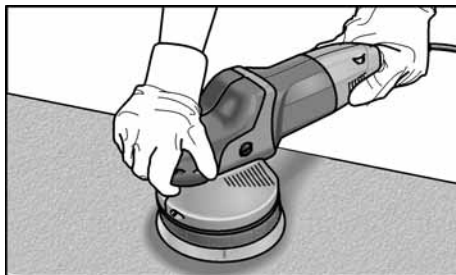


REMARQUE



Après un changement d'outil (par exemple passage d'une toison en laine à une éponge à polir), la différence de poids peut engendrer des vibrations. Par la molette (4), modifiez la vitesse de travail jusqu'à ce que les vibrations diminuent.

- Allumez la machine avant de la poser sur la surface à polir et faites-la accélérer jusqu'à la vitesse voulue.



- Déplacez la polisseuse en exerçant une légère pression d'applique et en décrivant des mouvements rotatifs se chevauchant sur la surface à polir, ceci pour parvenir à de bons rendements de polissage et de longues durées de vie de l'outil.
- En présence de surfaces délicates (laques automobiles par ex.), travaillez de façon « non agressive », c'est-à-dire à petite vitesse et en appuyant peu.
- En cas d'emploi de pâte à polir, utilisez un outil différent par pâte.

Vous trouverez des informations avancées sur les produits du fabricant à l'adresse www.flex-tools.com.

Maintenance et nettoyage



AVERTISSEMENT



Risque d'un choc électrique !

Avant d'effectuer tous travaux sur la meuleuse, débranchez la fiche mâle de la prise de courant.

Nettoyage

Nettoyez régulièrement l'appareil et les ouïes de ventilation. La fréquence des nettoyages dépend du matériau meulé et de la durée d'utilisation.

Nettoyez régulièrement l'intérieur du boîtier et le moteur à l'aide d'air comprimé sec.



PRUDENCE



Risque de blessure ! Portez des lunettes enveloppantes lorsque vous nettoyez à l'air comprimé.

Il faudrait nettoyer toutes les pièces en plastique avec un chiffon doux humidifié. N'utilisez JAMAIS de solvants pour nettoyer les pièces en plastique. Elles pourraient dissoudre ou endommager de toute autre façon le matériau.

Vérification des balais de charbon et lubrification

Pour assurer votre sécurité et votre protection permanentes contre le risque d'électrocution, la vérification des balais de charbon et leur remplacement, sur cet outil, devraient être accomplis **UNIQUEMENT** par un Centre agréé du service après-vente FLEX pour outils électroportatifs. Au bout d'environ 100 heures d'utilisation, amenez votre outil à un tel centre ou envoyez le lui pour qu'il soit soigneusement nettoyé et inspecté, pour remplacer les pièces usées et, si nécessaire, pour les lubrifier à nouveau avec du lubrifiant neuf, pour le doter de nouveaux balais et le soumettre à un test de performances.

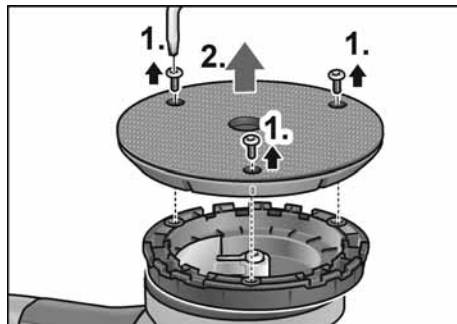
Toute perte de puissance avant le contrôle de maintenance sus-mentionné peut être l'indice que votre outil a immédiatement besoin d'une séance de maintenance. **DANS CES CONDITIONS, NE CONTINUEZ PAS D'UTILISER L'OUTIL.** Si le secteur offre la tension correcte, renvoyez votre outil à un Centre agréé du service après-vente FLEX pour maintenance immédiate.

Boîte d'engrenages

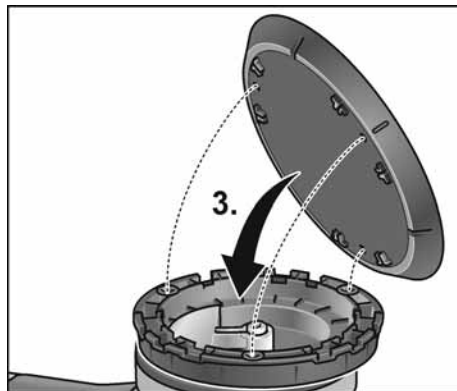
Il ne faut jamais détacher ou ouvrir la boîte d'engrenages (2). Cette opération est réservée à un Centre agréé du service après-vente FLEX. Si vous le faites, le bénéfice de la garantie est perdu.

Remplacement du plateau auto-agrippant

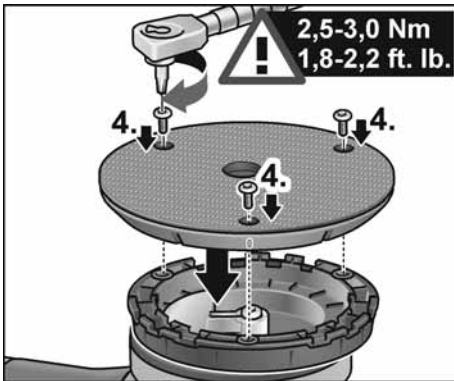
- Débranchez la fiche mâle de la prise de courant.
- Enlevez l'éponge à polir.
- Couchez la machine sur le côté.



- Desserrer les vis avec la clé Torx et les enlever (1.).
- Retirer le plateau auto-agrippant usé (2.).
- Éliminer les salissures dans l'espace intérieur.



- Orientez les orifices de fixation et placez un nouveau plateau auto-agrippant (3.).



- Serrer les vis et les bloquer avec la clé Torx (4.). (Couple de serrage 2,5 à 3 Nm (1,8 à 2,2'))
- Effectuer un essai de marche. Contrôlez l'absence de balourds et de vibrations.



Un mauvais couple de serrage peut endommager l'appareil et les surfaces usinées.

Réparations

Tous les outils de qualité requièrent éventuellement des opérations de maintenance ou le remplacement de pièce du fait de l'usure occasionnée par une utilisation normale. Ces opérations, y compris la vérification des balais et leur remplacement, devraient être effectuées UNIQUEMENT par un Centre agréé du service après-vente FLEX.

Toutes les réparations accomplies par ces centres sont entièrement garanties contre les vices de matière et de main-d'œuvre. Nous déclinons la garantie de réparations accomplies ou tentées par toute personne non membre de ces centres.

Si vous souhaitez demander des précisions au sujet de votre outil, n'hésitez pas à nous écrire quand bon vous semble.

Dans toute communication, veuillez mentionner toutes les indications figurant sur la plaque signalétique de votre outil (numéro du modèle, type, numéro de série, etc.).

Pièces de rechange et accessoires

i REMARQUE **i**

Seuls les outils autorisés par FLEX pourront être utilisés.

Pour connaître les autres accessoires et notamment les outils et moyens auxiliaires de polissage, reportez-vous s.v.p. aux catalogues du fabricant.

Vous trouverez des vues éclatées et des listes de pièces de rechange sur notre site Web : www.flex-tools.com

Garantie

La garantie restreinte d'un an FLEX North America

FLEX North America garantit ses outils à usage industriel pour professionnels pour une période d'un an à compter de la date d'achat initiale. Nous réservons le droit de réparer ou de remplacer toute pièce ou pièces du produit et des accessoires couvert(s) par cette garantie, laquelle/lesquel(le)s, après avoir été examiné(es), s'avèrent être défectueux(ses) du(e)s à des vices de matériau ou de fabrication durant la période de la garantie. Pour une réparation ou un remplacement, veuillez retourner l'outil ou l'accessoire complet, transport payé d'avance, à votre poste de service autorisé le plus près.

Une preuve d'achat pourrait être requise.

Cette garantie ne s'applique pas à la réparation ou au remplacement dus à une utilisation inappropriée ou abusive, l'usure normale ou des réparations / tentatives de réparations effectuées par quiconque autre que nos postes de service autorisés.

TOUTE GARANTIE IMPLICITE, INCLUANT LES GARANTIES IMPLICITES DE QUALITÉ MARCHANDE ET D'ÉTAT INDIQUÉ POUR UNE UTILISATION SPÉCIFIQUE, NE S'APPLIQUERA QUE POUR UN (1) AN À PARTIR DE LA DATE D'ACHAT.

Pour obtenir des renseignements portant sur la garantie de performance, veuillez écrire au :

Chervon North America, Inc.
1203 East Warrenville Road
Naperville, IL 60563 USA
Phone 1-833-353-9496
www.flexpowertools.com

LE SUS-DIT DÉCRIT L'ENTIÈRE RESPONSABILITÉ DE FLEX NORTH AMERICA SOUS CETTE GARANTIE OU TOUTE GARANTIE IMPLICITE ; DE PLUS, EN AUCUN TEMPS FLEX NORTH AMERICA NE SERA TENU POUR RESPONSABLE POUR TOUTE PERTE OU DOMMAGE ACCESSOIRES OU CONSÉQUENTS QUELLE QU'EN SOIT LEUR NATURE.

Certains états ne permettent pas des restrictions à la durée d'une garantie implicite ou à l'exclusion ou la restriction des dommages accessoires ou conséquents ; par conséquent, l'exclusion ou les limites ci-dessus ne pourraient pas vous être applicables. Cette garantie vous confère des droits légaux spécifiques et vous pourriez aussi avoir d'autres droits légaux, qui varient d'un état à l'autre.

Índice

Símbolos empleados	30
Informaciones importantes de seguridad	30
INSTRUCCIONES GENERALES DE SEGURIDAD	31
INSTRUCCIONES DE SEGURIDAD ESPECÍFICAS Y SÍMBOLOS	33
Especificaciones técnicas	37
De un vistazo	38
Indicaciones para el uso	39
Mantenimiento y cuidado	40
Garantía	42

Símbolos empleados



ADVERTENCIA

ADVERTENCIA indica una situación posiblemente peligrosa que puede causar la muerte o lesiones serias en caso de ignorarla.



CUIDADO

CUIDADO indica una situación potencialmente peligrosa que puede causar lesiones leves o menores o bien daños en la máquinas, en caso de incumplimiento.



NOTA

NOTA enfatiza informaciones esenciales.

Informaciones importantes de seguridad

Lea y entienda todas las medidas de precaución, de seguridad, advertencias e instrucciones de funcionamiento antes de poner en marcha esta herramienta eléctrica.

La mayoría de los accidentes resultantes del uso o el mantenimiento de herramientas eléctricas, son causados por el incumplimiento en la observación de las reglas básicas de seguridad o precauciones. Muchas veces puede evitarse un accidente, reconociendo de antemano una situación potencialmente peligrosa y observando las medidas de seguridad apropiadas.

Las precauciones básicas de seguridad se detallan en la sección «SEGURIDAD» contenida en estas instrucciones de funcionamiento y en la sección que contiene las instrucciones de mantenimiento.

Los peligros que deben evitarse a fin de evitar lesiones o daños en la máquina, se marcan a través de ADVERTENCIAS sobre la herramienta eléctrica y en estas instrucciones de funcionamiento.

NUNCA utilice esta herramienta eléctrica de alguna manera que FLEX no haya recomendada específicamente.

Utilización adecuada a su función

Esta pulidora excéntrica de uso manual, está destinada

- a su utilización en la industria y el oficio,
- a trabajos de pulido de todo tipo, como p. ej. superficies lacadas en automóviles, muebles, superficies de metal, etc., mediante el uso de esponjas pulidoras y pieles de cordero o lana,
- al uso con herramientas de pulido, que estén especificados para velocidades de giro de un mínimo de 500 R.P.M.

INSTRUCCIONES GENERALES DE SEGURIDAD



ADVERTENCIA:

Lea todas las indicaciones de seguridad y las instrucciones.

Omisiones en el cumplimiento de las indicaciones de seguridad pueden ser causa de descargas eléctricas, incendios y/o lesiones de gravedad.

Conserve todas las advertencias e instrucciones de seguridad para el futuro.

El término «herramienta eléctrica» empleado en las siguientes advertencias de peligro se refiere a herramientas eléctricas de conexión a la red (con cable de red) y a herramientas eléctricas accionadas por acumulador (o sea, sin cable de red).

1. Seguridad del puesto de trabajo

(a) Mantenga limpio y bien iluminado su puesto de trabajo. El desorden o una iluminación deficiente en las áreas de trabajo pueden provocar accidentes.

(b) No utilice la herramienta eléctrica en un entorno con peligro de explosión, en el que se encuentren combustibles líquidos, gases o material en polvo. Las herramientas eléctricas producen chispas que pueden llegar a inflamar los materiales en polvo o vapores.

(c) Mantenga alejados a los niños y otras personas de su puesto de trabajo al emplear la herramienta eléctrica.

Una distracción le puede hacer perder el control sobre la herramienta eléctrica.

2. Seguridad eléctrica

(a) El enchufe de la herramienta eléctrica debe corresponder a la toma de corriente utilizada. No es admisible modificar el enchufe en forma alguna. No emplear adaptadores en herramientas eléctricas dotadas con una toma de tierra.

Los enchufes sin modificar adecuados a las respectivas tomas de corriente reducen el riesgo de una descarga eléctrica.

(b) Evite que su cuerpo toque partes conectadas a tierra como tuberías, radiadores, cocinas y refrigeradores.

El riesgo a quedar expuesto a una sacudida eléctrica es mayor si su cuerpo tiene contacto con tierra.

(c) No exponga la herramienta eléctrica a la lluvia y evite que penetren líquidos en su interior. Existe el peligro de recibir una descarga eléctrica si penetran ciertos líquidos en la herramienta eléctrica.

(d) No utilice el cable de red para transportar o colgar la herramienta eléctrica, ni tire de él para sacar el enchufe de la toma de corriente. Mantenga el cable de red alejado del calor, aceite, esquinas cortantes o piezas móviles. Los cables de red dañados o enredados pueden provocar una descarga eléctrica.

(e) Al trabajar con la herramienta eléctrica a la intemperie utilice solamente cables de prolongación apropiados para su uso en exteriores. La utilización de un cable de prolongación adecuado para su uso en exteriores reduce el riesgo de una descarga eléctrica.

(f) Si fuese imprescindible utilizar la herramienta eléctrica en un entorno húmedo, es necesario conectarla a través de un fusible diferencial. La aplicación de un fusible diferencial reduce el riesgo a exponerse a una descarga eléctrica.

3. Seguridad personal

(a) Esté atento a lo que hace y emplee la herramienta eléctrica con prudencia.

No utilice la herramienta eléctrica si estuviese cansado, ni tampoco después de haber consumido alcohol, drogas o medicamentos. El no estar atento durante el uso de la herramienta eléctrica puede provocar serias lesiones.

(b) Utilice un equipo de protección personal y en todo caso unas gafas de protección. El riesgo a lesionarse se reduce considerablemente si, dependiendo del tipo y la aplicación de la herramienta eléctrica empleada, se utiliza un equipo de protección adecuado como una mascarilla antipolvo, zapatos de seguridad con suela antideslizante, casco, o protectores auditivos.

(c) Evite una puesta en marcha fortuita. Asegurarse de que la herramienta eléctrica esté desconectada antes de conectarla a la toma de corriente y/o al montar el acumulador, al recogerla, y al transportarla.

Si transporta la herramienta eléctrica sujetándola por el interruptor de conexión/desconexión, o si alimenta la herramienta eléctrica estando ésta conectada, ello puede dar lugar a un accidente.

(d) Retire las herramientas de ajuste o llaves fijas antes de conectar la herramienta eléctrica. Una herramienta de ajuste o llave fija colocada en una pieza rotante puede producir lesiones al poner a funcionar la herramienta eléctrica.

(e) Evite posturas arriesgadas. Trabaje sobre una base firme y mantenga el equilibrio en todo momento. Ello le permitirá controlar mejor la herramienta eléctrica en caso de presentarse una situación inesperada.

(f) Lleve puesta una vestimenta de trabajo adecuada. No utilice vestimenta amplia ni joyas. Mantenga su pelo, vestimenta y guantes alejados de las piezas móviles. La vestimenta suelta, el pelo largo y las joyas se pueden enganchar con las piezas en movimiento.

(g) Siempre que sea posible utilizar unos equipos de aspiración o captación de polvo, asegúrese que éstos estén montados y que sean utilizados correctamente. El empleo de estos equipos reduce los riesgos derivados del polvo.

(h) No permita que la costumbre adquirida por el uso frecuente de los equipos le haga bajar la guardia y olvidarse de seguir los principios básicos de seguridad. Un acto imprudente puede provocar lesiones de gravedad en pocos segundos.

4. Uso y cuidado de la herramienta eléctrica

(a) No sobrecargue la herramienta eléctrica. Use la herramienta eléctrica prevista para el trabajo a realizar. Con la herramienta adecuada podrá trabajar mejor y más seguro dentro del margen de potencia indicado.

(b) No utilice herramientas eléctricas con un interruptor defectuoso. Las herramientas eléctricas que no se puedan conectar o desconectar son peligrosas y deben hacerse reparar.

(c) Saque el enchufe de la red y/o desmonte el acumulador antes de realizar un ajuste en la herramienta eléctrica, cambiar de accesorio o al guardar la herramienta eléctrica. Esta medida preventiva reduce el riesgo a conectar accidentalmente la herramienta eléctrica.

(d) Guarde las herramientas eléctricas fuera del alcance de los niños. No permita la utilización de la herramienta eléctrica a aquellas personas que no estén familiarizadas con su uso o que no hayan leído estas instrucciones. Las herramientas eléctricas utilizadas por personas inexpertas son peligrosas.

(e) Cuide la herramienta eléctrica con esmero. Controle si funcionan correctamente, sin atascarse, las partes móviles de la herramienta eléctrica, y si existen partes rotas o deterioradas que pudieran afectar al funcionamiento de la herramienta eléctrica. Haga reparar estas piezas defectuosas antes de volver a utilizar la herramienta eléctrica.

Muchos de los accidentes se deben a herramientas eléctricas con un mantenimiento deficiente.

(f) Mantenga los útiles limpios y afilados. Los útiles mantenidos correctamente se dejan guiar y controlar mejor.

(g) Utilice la herramienta eléctrica, accesorios, útiles, etc. de acuerdo a estas instrucciones, considerando en ello las condiciones de trabajo y la tarea a realizar. El uso de herramientas eléctricas para trabajos diferentes de aquellos para los que han sido concebidas puede resultar peligroso.

(h) Mantenga secos, limpios y libres de aceite y grasa los mangos y empuñaduras. Los mangos y empuñaduras resbaladizos dificultan la manipulación y el control de la herramienta eléctrica en situaciones imprevistas.

5. Trato y uso cuidadoso de herramientas accionadas por acumulador

(a) Solamente cargar los acumuladores con los cargadores recomendados por el fabricante. Existe un riesgo de incendio al intentar cargar acumuladores de un tipo diferente al previsto para el cargador.

(b) Solamente emplee los acumuladores previstos para la herramienta eléctrica. El uso de otro tipo de acumuladores puede provocar daños e incluso un incendio.

(c) Si no utiliza el acumulador, guárdelo separado de clips, monedas, llaves, clavos, tornillos o demás objetos metálicos que pudieran puentear sus contactos. El cortocircuito de los contactos del acumulador puede causar quemaduras o un incendio.

(d) La utilización inadecuada del acumulador puede provocar fugas de líquido. Evite el contacto con él. En caso de un contacto accidental enjuagar el área afectada con abundante agua. En caso de un contacto con los ojos recurra además inmediatamente a un médico. El líquido del acumulador puede irritar la piel o producir quemaduras.

6. Servicio

(a) Haga que su herramienta eléctrica reciba servicio de ajustes y reparaciones por una persona de reparación calificada, utilizando únicamente piezas de repuesto idénticas. Esto asegurará que se mantenga la seguridad de la herramienta eléctrica.

(b) El mantenimiento preventivo realizado por personal no autorizado puede tener como resultado la colocación incorrecta de los cables y componentes internos, lo cual podría causar un peligro grave.

Recomendamos que todo el servicio de ajustes y reparaciones de la herramienta sea realizado por un Centro de Servicio de Fábrica FLEX o una Estación de Servicio FLEX Autorizada.

INSTRUCCIONES DE SEGURIDAD ESPECÍFICAS Y SÍMBOLOS

1. Advertencias de seguridad para el pulido

(a) Esta herramienta eléctrica debe utilizarse como pulidora. Tener en cuenta todas las advertencias de seguridad, instrucciones, representaciones y datos que se entregan conjuntamente con este equipo. En caso de ignorar estas advertencias, se corre peligro de descargas eléctricas, incendios y/o lesiones graves.

(b) Esta herramienta eléctrica no es adecuada para el amolado, lijado con papel de lija, efectuar tareas con cepillo de acero o para el tronzado. Usos para los cuales es inadecuado el equipo eléctrico, pueden causar peligros y lesiones.

(c) Utilizar exclusivamente accesorios que hayan sido aprobadas específicamente por el fabricante, para su uso con esta herramienta eléctrica. El solo hecho de poder sujetar el accesorio en la herramienta eléctrica, no garantiza que su uso presente la seguridad necesaria.

(d) La velocidad de giro de la herramienta utilizada debe ser como mínimo del valor que aquella indicada en el equipo eléctrico.

Accesorios que giran a velocidades superiores que las permitidas, pueden destrozarse, haciendo volar los trozos por los alrededores.

(e) Las dimensiones externas y el espesor de la herramienta utilizada debe corresponder a las medidas indicadas en el equipo eléctrico. Herramientas de aplicación mal dimensionadas, no pueden protegerse o controlarse de modo suficiente.

(f) Los discos y platos amoladores u otro tipo de accesorio, deben calzar correctamente sobre el husillo correspondiente de la herramienta eléctrica. Herramientas de aplicación que no calzan correctamente sobre el husillo de la herramienta eléctrica, giran de forma irregular, vibran con fuerza y pueden conducir a la pérdida del control.

(g) No utilizar accesorios dañados. Controlar antes de cada uso la herramienta de aplicación, a fin de determinar si presenta desprendimientos, fisuras y en el caso de los platos amoladores la presencia de fisuras, desgaste abusivo. Si la herramienta eléctrica o bien la herramienta de aplicación caen al suelo, controlar si se ha dañado o bien utilizar una herramienta sin daños. Una vez controlada y colocada la herramienta de aplicación, mantenerse a sí mismo y a otras personas fuera del plano de rotación, dejando el equipo en marcha durante un minuto a su velocidad máxima. Herramientas dañadas generalmente se destrozan en este tiempo.

(h) Usar equipo de protección personal. Utilice protección facial integral, protección para los ojos o gafas protectoras según la aplicación. Si hiciera falta, utilice una máscara contra el polvo, protección para el oído, guantes de protección, calzado especial o un delantal que mantenga alejadas de su persona las pequeñas partículas producto del amolado. Los ojos deben estar protegidos contra cuerpos extraños que puedan producirse durante las

diversas aplicaciones. La máscara contra el polvo o para la respiración debe filtrar el polvo que se genera durante el amolado. Si se está expuesto a ruidos fuertes durante un tiempo prolongado, puede producirse la pérdida de la audición.

(i) Cuide que otras personas en su cercanía se encuentren fuera de su zona de trabajo. Toda persona que acceda a la zona de trabajo debe estar provista con el equipamiento de protección adecuado.

Pueden volar trozos de la pieza en proceso o de la herramienta destrozada, produciendo lesiones en zonas aún externas a la zona de trabajo.

(j) Sujetar el equipo de las superficies aisladas correspondientes cuando la herramienta de aplicación puede incidir en conductores eléctricos ocultos o cables pertenecientes a la red eléctrica.

El contacto con conductores bajo tensión puede hacer que las partes metálicas de la herramienta eléctrica le provoquen una descarga eléctrica.

(k) Mantener el cable de alimentación alejado de partes de la herramienta que se encuentren en movimiento. Si se pierde el control sobre el equipo, puede cortarse o ser tomado el cable de alimentación de red, entrando la mano o el brazo en contacto con la herramienta de aplicación que está girando.

(l) Nunca asentar la herramienta eléctrica antes que la herramienta de aplicación se haya parado completamente. La herramienta de aplicación puede entrar en contacto con la superficie de asiento, lo que lleva a la pérdida de control sobre el equipo.

(m) No dejar la herramienta eléctrica en marcha mientras se la lleva de un sitio a otro. La indumentaria del operador puede entrar casualmente en contacto con la herramienta de aplicación, penetrando la herramienta de aplicación en el cuerpo del mismo.

(n) Limpiar con regularidad las rendijas de ventilación de la herramienta eléctrica.

El ventilador del motor aspira polvo hacia el interior de la carcasa y una cantidad suficiente de polvo metálico dentro de ésta, puede ser causa de peligros de descargas eléctricas.

(o) No utilizar la herramienta eléctrica en la cercanía de sustancias inflamables.

Las chispas pueden producir la ignición de estas sustancias.

(p) No utilizar herramientas de aplicación que requieran de refrigerantes líquidos.

La utilización de agua u otros agentes refrigerantes líquidos puede ser causa de descargas eléctricas.

2. Retroceso y medidas de seguridad correspondientes

El contragolpe es una reacción repentina debida a que una herramienta de aplicación se traba o bloquea, como puede ocurrir con un disco amolador, un plato amolador, un cepillo de acero, etc.

Un bloqueo conduce a un paro repentino de la herramienta de aplicación que se encuentra en rotación.

Esto causa la aceleración descontrolada del equipo eléctrico en el punto de bloqueo, en sentido de giro opuesto a aquél de la herramienta. Si por ejemplo un disco amolador se traba o bloquea en la pieza a procesar, puede quebrarse un trozo del disco amolador que está penetrando en la pieza a procesar o bien producir un contragolpe. El disco amolador se mueve entonces en dirección al operario o alejándose de él, según el sentido de giro del disco en el punto de bloqueo.

Esto también puede ser causa para que el disco amolador se quiebre.

Un contragolpe es la consecuencia de un uso incorrecto o deficiente de la herramienta eléctrica. Puede evitárselo mediante medidas preventivas, según se describe a continuación.

(a) Sujetar firmemente la herramienta eléctrica y ubicar el cuerpo y los brazos en una posición que permita contrarrestar los contragolpes. En caso de existir, utilizar siempre la manija adicional a fin de disponer del mayor control en caso de contragolpes o momentos de reacción durante el arranque. El operario puede dominar las fuerzas de contragolpe o reacción, mediante las medidas de precaución adecuadas.

(b) Nunca acercar la mano a la herramienta de aplicación en movimiento giratorio.

La herramienta puede moverse sobre su mano en caso de un contragolpe.

(c) Evite penetrar con el cuerpo en la zona donde el equipo eléctrico eventualmente se mueve durante un retroceso. El contragolpe impulsa la herramienta eléctrica en sentido opuesto al movimiento del disco amolador en el punto de bloqueo.

(d) Trabaje con especial precaución en la cercanía de esquinas, cantos filosos, etc. Evite que la herramienta rebote de la pieza en proceso y se trabe. La herramienta de aplicación en movimiento de giro, tiende a trabarse en las esquinas, bordes agudos o cuando rebota de la pieza en proceso. Esto causa la pérdida de control o bien un contragolpe.

(e) No utilizar hojas de cadenas o de sierra. Herramientas de aplicación de este tipo, muchas veces causan contragolpes o la pérdida de control.

3. Advertencias de seguridad especiales para el pulido

(a) No admitir piezas sueltas de la cubierta de pulido, especialmente hilos de sujeción. Almacenamiento o cortado de los hilos de sujeción. Hilos de sujeción sueltos que acompañan el movimiento de giro, pueden enrollarse en los dedos o bien en la pieza a procesar.

4. Otras indicaciones de seguridad

(a) La tensión de la red de alimentación y las indicaciones de tensión de la chapa de características, deben coincidir.

(b) Presionar la traba para el husillo únicamente con la herramienta parada.

(c) Parte del polvo causado por el lijado eléctrico, el serruchado, la trituración, el taladro y otras actividades de construcción contiene sustancias químicas que, según el estado de California, causan cáncer, defectos congénitos u otros daños reproductivos.

Algunos ejemplos de estos productos químicos son:




- Plomo de pinturas a base de plomo.
- Sílice cristalina de ladrillos, cemento y otros productos de mampostería.
- Arsénico y cromo de madera tratada con químicos.

El riesgo que corre debido a la exposición a estos químicos varía según la frecuencia con que realiza este tipo de trabajo. Para reducir la exposición a estas sustancias químicas:


- Trabaje en un área bien ventilada.
- Trabaje con equipo de seguridad aprobado, como las mascarillas antipolvo especialmente diseñadas para filtrar partículas microscópicas.
- Evite estar en contacto prolongado con el polvo provocado por el lijado, el aserrado, la trituración y el taladrado, y otras actividades de construcción. Use ropa protectora y lave todas las áreas expuestas del cuerpo con agua y jabón. Si permite que el polvo llegue a su boca o a sus ojos, o que caiga sobre la piel, podría fomentar la absorción de productos químicos dañinos.

5. Definición de unidades y símbolos utiliza-dos sobre esta herramienta

V.....	Volts
A.....	Amperes
Hz.....	Hertz
W.....	Vatio
n_0	Velocidad sin carga
./min o min^{-1}	Revoluciones por minuto
~	Corriente alterna
\emptyset	diámetro

-  Tipo de protección II
-  ¡Utilizar protección para la vista!
-  ¡Leer las instrucciones !

6. Doble aislación para un trabajo más seguro

Para un trabajo más seguro con esta herramienta eléctrica, FLEX ha adoptado un diseño de doble aislación. «Doble aislación» quiere decir, que se han utilizado dos sistemas físicamente separados para aislar las partes conductoras conectadas a la alimentación eléctrica, de las piezas externas manipuladas por el operario. A tal fin aparece el símbolo  o bien la leyenda «Double insulation» sobre la herramienta eléctrica o bien sobre su placa de características.


Debido a ello, este sistema no posee una puesta a tierra. Usted solo necesita seguir las precauciones de seguridad eléctrica normales, indicadas en este manual, incluyendo aquella de no utilizar la herramienta eléctrica en ambientes húmedos.

Para mantener la efectividad de este sistema de aislación, cumpla con las precauciones siguientes:

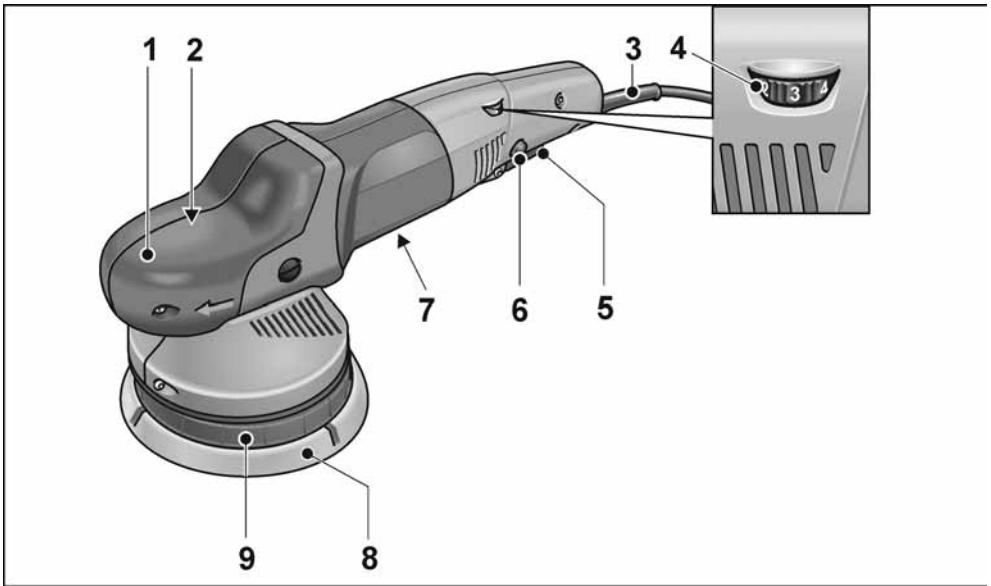
- El desarmado y armado de esta herramienta eléctrica debe ser realizado exclusivamente por CENTROS AUTORIZADOS DE ASISTENCIA FLEX y se deben emplear exclusivamente repuestos genuinos FLEX.
- Limpie el exterior de la herramienta eléctrica con un paño suave, humedecido con agua jabonosa y séquelo prolijamente.
- Nunca utilice solventes como gasolina o thinner sobre componentes de material plástico; ya que éstos disuelven el material plástico.

¡GUARDE ESTAS INSTRUCCIONES Y PÓNGALAS A DISPOSICIÓN DE OTROS USUARIOS Y PROPIETARIOS DE ESTA HERRAMIENTA!

Especificaciones técnicas

		XFE 7-15	XCE 10-8
Tipo de equipo		Pulidora excéntrica	
Tensión de red	V/Hz	120/60	
Consumo de energía	A	8,6	8,7
Alojamiento para la herramienta	mm (in)	Plato abrojo Ø 125 (5) / 150 (6)	
Ø máximo de la herramienta	mm (in)	160 (6,5)	
Carrera	mm (in)	15 (0,59)	8 (0,31)
Cantidad de carreras	min ⁻¹	3.000-9.000	
Número de revoluciones (plato abrojo)	R.P.M.	–	150-450
Peso (sin cable)	kg (lbs)	2,4 (5,28)	2,6 (5,72)
Tipo de protección		II / 	

De un vistazo



- 1 Cubierta manija**
Con salida para el aire y flecha indicadora del sentido de giro.
- 2 Carcasa del engranaje ***
- 3 Cable de conexión a la red de 4 m (13 ft.) con el enchufe correspondiente**
- 4 Rueda de ajuste para la preselección de la velocidad de giro**
- 5 Conmutador**
Para el encendido y apagado así como para la aceleración hasta la velocidad prefijada.
- 6 Botón de traba**
Traba el conmutador (5) en caso de marcha continua.

- 7 Chapa de características ***
- 8 Plato abrojo (Velcro)**
- 9 Alojamiento del plato**

Llave de tuercas Torx T20 *

* (no se representa)

Indicaciones para el uso



ADVERTENCIA



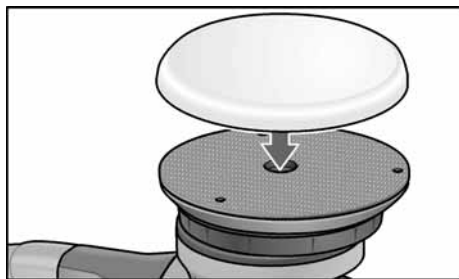
¡Riesgo de una descarga eléctrica!
Antes de realizar cualquier trabajo en el equipo, desconectar el enchufe de red.

Antes de la puesta en marcha

Desembalar la pulidora y controlar que el volumen de entrega está completo y si se produjeron daños durante el transporte.

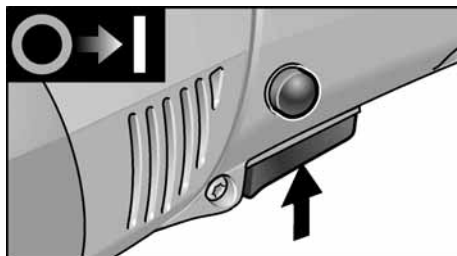
Sujeción o cambio de la herramienta amoladora

- Desconectar el enchufe de red.



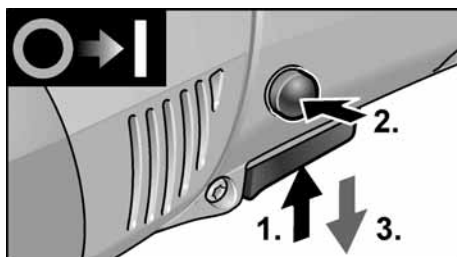
- Centrar el agente pulidor a ojo sobre el plato abrojo (8) presionándolo luego. Utilizar exclusivamente herramientas de pulido libres de daños.
- Conectar el enchufe de red.
- Encender la pulidora (sin trabar el conmutador) dejándola marcha aprox. 30 segundos. Controlar si existen excentricidades o vibraciones.
- Parar la pulidora.

Encendido a pagado Marcha de tiempo reducido sin trabado

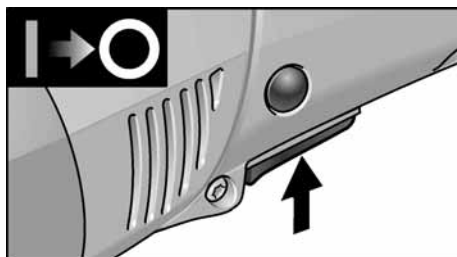


- Presionar el conmutador y sujetarlo.
- Para el paro, soltar el conmutador.

Funcionamiento continuo con traba



- Presionar el conmutador y sujetarlo.
- Para trabarlo, mantener el botón de traba presionado y soltar el conmutador.



- Para el paro, presionar brevemente el conmutador y soltarlo.

Ajuste de la velocidad



CUIDADO



Peligro de lesiones debido a la destrucción de la herramienta. Utilice herramientas adecuadas para el trabajo.



Para ajustar la velocidad de trabajo, girar la rueda de ajusta al valor deseado.

- 1 = velocidad mínima
- 6 = velocidad máxima

Mediante un movimiento cuidadoso del conmutador (5) el equipo acelera hasta la velocidad de giro preseleccionada.



NOTA



En caso de sobrecarga o recalentamiento durante el funcionamiento continuo, el equipo reduce su velocidad de giro automáticamente, hasta que se ha enfriado suficientemente.

Informaciones para el uso



CUIDADO



Una vez apagada el equipo eléctrico, la herramienta sigue girando por un tiempo breve.

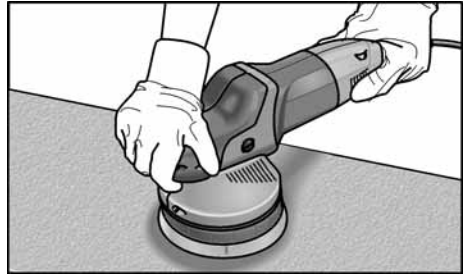


NOTA



Después de un cambio de herramienta (p. ej, piel de lana) puede resultar un aumento de las vibraciones debido a las diferencias de peso. Modificar la velocidad de giro mediante la rueda de ajuste (4), hasta que las vibraciones se reducen.

- Poner en marcha la máquina antes de asentarla sobre la superficie a procesar y esperara a que alcance la velocidad de giro seleccionada.



- Mover la pulidora con presión leve en movimientos circulares que se solapan sobre la superficie a procesar, a fin de lograr un alto rendimiento en el pulido y una larga vida útil de la herramienta.
- En caso de trabajar superficies sensible (p. ej. lacas de automóvil) trabajar si agresividad, con velocidad de giro y presiones bajas.
- En caso de utilizar pastas para pulir, emplear una herramienta para cada tipo de pasta.

Obtendrá más informaciones sobre el producto por parte del fabricante, visitando el sitio www.flex-tools.com.

Mantenimiento y cuidado



ADVERTENCIA



¡Riesgo de una descarga eléctrica!

Antes de realizar cualquier trabajo en el equipo, desconectar el enchufe de red.

Limpieza

Limpiar regularmente el equipo y las ranuras de ventilación. La frecuencia de la limpieza dependerá del material y la intensidad de uso.

Limpiar periódicamente la parte interior de la carcasa y el motor con aire comprimido seco.



CUIDADADO



¡Riesgo de lesiones! Utilice gafas de protección cuando trabaja con aire comprimido.

Todas las partes de plástico deben limpiarse con un paño suave y húmedo. NUNCA utilice solventes para la limpieza de partes de material plástico. Pueden disolver o dañar las piezas de otra forma.

Inspección de escobillas y lubricación

Para la continuidad en su seguridad y protección en cuanto a la parte eléctrica, la inspección y el reemplazo de las escobillas debe efectuarse exclusivamente un centro de servicio autorizado por FLEX. Después de aproximadamente 100 horas de uso, lleve o envíe su herramienta a un centro de servicio de FLEX Power Tools a fin de que se lo limpie y revise detalladamente, se reemplacen partes desgastadas y se la lubrique si así hiciera falta, volviendo a armarla controlando su correcto funcionamiento.

Cualquier pérdida de potencia que se note antes del plazo de mantenimiento mencionado, indica que se le debe practicar un servicio de forma inmediata.

NO SIGA USANDO LA HERRAMIENTA BAJO ESTAS CONDICIONES.

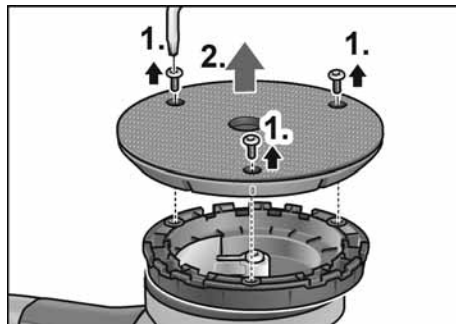
Si el problema subsiste a pesar que la tensión aplicada es correcta, debe enviar su herramienta inmediatamente a un centro de servicio de FLEX.

Carcasa del engranaje

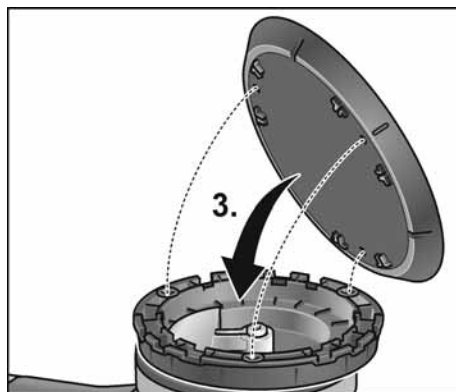
La carcasa del engranaje (2) nunca se debe aflojar ni abrir. Exclusivamente los servicios autorizados de FLEX pueden abrir esta carcasa. De este modo se conserva la garantía del producto.

Cambiar el plato abrojo (Velcro)

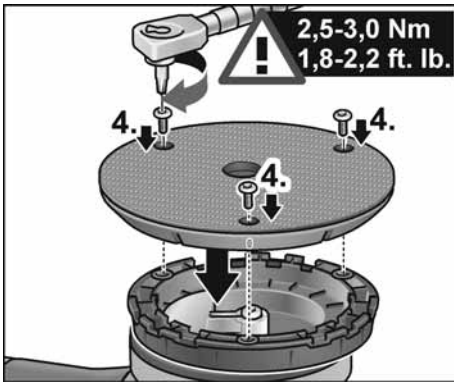
- Desconectar el enchufe de red.
- Quitar la esponja pulidora.
- Asentar la máquina sobre su parte posterior.



- Aflojar y destornillar los tornillos con la llave de tuercas Torx (1.).
- Quitar el plato abrojo desgastado (2.).
- Retirar el ensuciamiento en el espacio interior.



- Alinear los orificios de fijación y colocar el nuevo plato de velcro (3.).



- Enroscar los tornillos y apretar con la llave de tuercas Torx (4.).
(Par de apriete 2,5-3,0 Nm (1.8-2.2 ft. lb.))
- Realizar una marcha de prueba.
Controlar si existen excentricidades o vibraciones.



CUIDADO



Un par de apriete falso puede ocasionar daños en el aparato y en las superficies trabajadas.

Reparaciones

Todas las herramientas de calidad, eventualmente necesitan el reemplazo de algunas partes debido a su uso normal. Estas actividades incluyendo la inspección y el reemplazo de las escobillas, deben efectuarlas EXCLUSIVAMENTE los centros de servicio autorizados de FLEX Power Tools. Todas las reparaciones efectuadas por estas agencias, poseen una garantía total respecto de fallas de material y de mano de obra. No podemos garantizar reparaciones efectuadas o intentadas por cualquier otra agencia.

Si usted tiene dudas respecto de su herramienta, no dude en escribirnos en cualquier momento.

En todo contacto que establezca con nosotros, incluya siempre toda la información contenida en la chapa de características de su herramienta (número de modelo, tipo, número de serie, etc.).

Repuestos y accesorios



NOTA



Se autoriza exclusivamente el uso de herramientas autorizadas por FLEX.

Por otros accesorios, en especial herramientas y agentes de pulido, consultar el catálogo del fabricante.

Una gráfica de expansión y una lista de piezas de repuesto se encuentran en la homepage: www.flex-tools.com

Garantía

PÓLIZA DE GARANTÍA LIMITADA DE 1 AÑO DE FLEX

La Compañía de FLEX garantiza sus herramientas mecánicas profesionales por un período de 1 año a partir de la fecha de compra. FLEX reparará o reemplazará – según nuestra opción – cualquier parte o partes de la herramienta o de los accesorios protegidos bajo esta garantía que, después de examinarlos, demuestren cualquier defecto en los materiales o mano de obra durante el período de la garantía. Para reparación o reemplazo, devuelva la herramienta o accesorio completo, cubriendo el precio de transporte, al Centro de Servicio de FLEX o a la Estación de Servicio Autorizado más cercana.

Puede ser que requiera prueba de compra. Esta garantía no incluye la reparación o reemplazo en caso de mal uso, abuso o desgaste normal de la herramienta así como reparaciones efectuados o atentadas por otros medios que no sean de los Centros de Servicio de FLEX o las Estaciones de Servicio Autorizado por FLEX.

CUALQUIER GARANTÍA IMPLICITA, INCLUSO LAS GARANTÍAS DE COMERCIALIZACIÓN Y APTITUD PARA PROPÓSITOS ESPECIALES O PARTICULARES, DURARÁN POR SÓLO UN (1) AÑO A PARTIR DE LA FECHA DE COMPRA.

Para obtener información de la garantía de desempeño haga el favor de escribir a:

Chervon North America, Inc.
1203 East Warrenville Road
Naperville, IL 60563 USA
Phone 1-833-353-9496
www.flexpowertools.com

LA OBLIGACIÓN ANTERIORMENTE MENCIONADA ES LA ÚNICA RESPONSABILIDAD DE FLEX BAJO ESTA O CUALQUIER GARANTÍA IMPLICADA. FLEX DE NINGUNA MANERA SERÁ RESPONSABLE POR NINGÚN DAÑO INCIDENTAL O CONSECUENTE.

Algunos estados no permiten limitaciones de tiempo de garantías implicadas ni la exclusión o la limitación de daños incidentales o consecuentes, así que puede que la limitación o la exclusión no le aplique a usted.

Esta garantía le da a usted unos derechos legales específicos. Puede ser que usted tenga también otros derechos legales los cuales varían de un estado a otro.

Flex-Elektrowerkzeuge GmbH
Bahnhofstr. 15
D-71711 Steinheim/Murr

Tel. +49(0) 7144 828-0
Fax +49(0) 7144 25899

info@flex-tools.com
www.flex-tools.com

Chervon North America, Inc.
1203 East Warrenville Road
Naperville, IL 60563 USA

Phone 1-833-353-9496
www.flexpowertools.com