

Pro6 Solo



USER INSTRUCTIONS



Read carefully these instructions before using the machine.

User instructions

PRO6 Solo

*D*ear Client,

congratulations on your purchase of your Pro6 Solo. This versatile steam cleaning system was designed for Professional application requirements in compliance with the strictest standards of safety and efficiency.

You will soon see how easy, simple and safe it is to use PRO6 Solo.

To become acquainted with the possibilities of this device for household and work maintenance, we recommend that you read these instructions all the way through carefully and then follow these instructions step by step.

GETTING TO KNOW THE Pro6 Solo



1 Safety pressure cap / Boiler

2 Carry handle

3 Steam switch

4 Main switch

5 "No water" warning light

6 "Steam ready" light

7 Pressure gauge

8 Steam regulator knob

9 Monobloc socket

DESCRIPTION OF ACCESSORIES

10 Rectangular brush

10a Carpet Glider

11 Extension tubes

12 Triangular brush

13 Jet Nozzle 1 hole

13a Jet Nozzle 3 holes

14 Extended Nozzle w/
rubber protection

15 Window wiper

16 Small round brush
(nylon)

16a Small round brush
(brass)

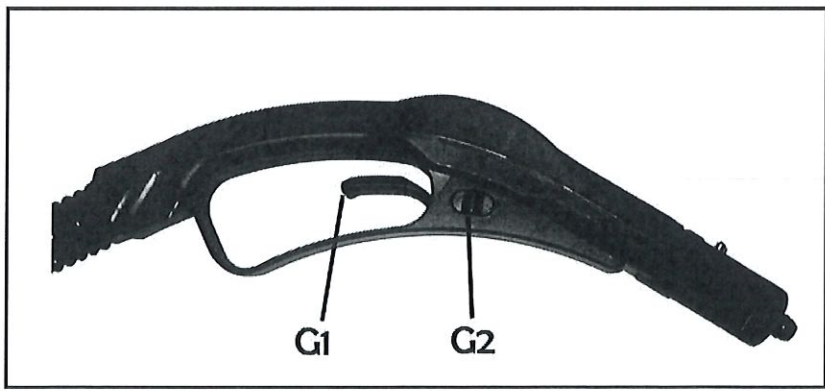
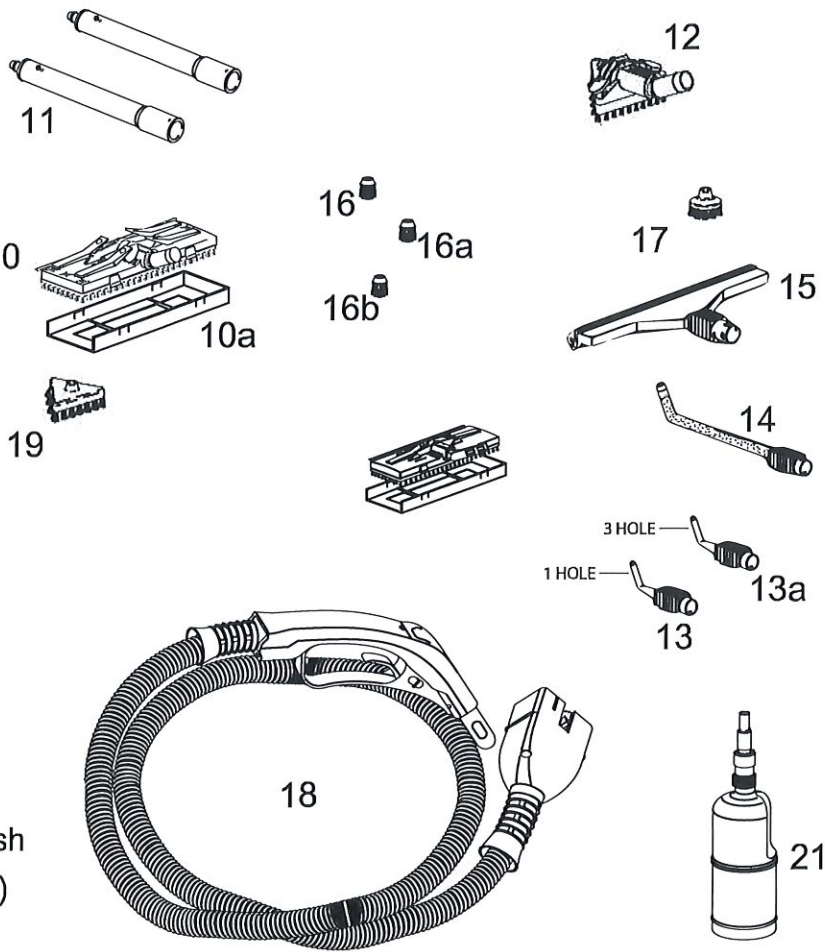
16b Small round brush
(stainless steel)

17 Round brush (nylon)

18 Standard Hose

19 Small triangular brush
for Jet Nozzle (nylon)

21 Fill bottle



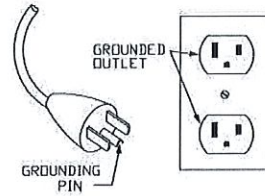
SAFETY INSTRUCTIONS

Please test inconspicuous parts of all surfaces and objects to ensure colour-fastness and heat resistance. We will not be liable for damage caused by failure to test the surfaces to be cleaned.

- 1) Never open the filler cap while the boiler is under pressure. Release the pressure using the steam button on the pistol grip only.
- 2) Do not add detergents or other additives. Use only filtered water – no distilled water.
- 2) Take care to ensure that the electrical data on the type plate corresponds to the local network voltage.
- 4) Never dip the device in the water.
- 5) Disconnect plug when the device is not in use or is to be left unattended, or when filling the tank or cleaning the device.
- 6) You must only use the **PRO6 Solo** for the applications described in these instructions.
- 7) Use only original replacement and accessory parts.
- 8) Do not pull the electrical cord out of the socket by the cord.
- 9) Do not allow the electrical cord to come into contact with hot surfaces.
- 10) The steam generated by the device can reach very high temperatures (150°C) upon leaving the device. Avoid all contact with the steam. Do not point the steam spray at persons or animals.
- 11) This device is not a toy. Special care is required when used by children or in the vicinity of children.
- 12) Never use steam to clean electrical devices, such as radios, televisions.
- 13) When using the electric iron, take care to ensure that the iron is safely stowed at all times (for example, the support base on the table).
- 14) Only put the **PRO6 Solo** away after it has completely cooled off. The tank need not be emptied unless the device is to remain unused for a long time.
- 15) Do not use the device if it has been damaged, steam escaping or if the electrical cord or any of the accessory parts are damaged. Inspections and repairs of all kinds must always be performed by our client service department. Unauthorized repair work may be dangerous and will void the warranty.

GROUNDING INSTRUCTIONS

This appliance must be grounded. If it should malfunction or breakdown, grounding provides a path of least resistance for electric current to reduce the risk of electric shock. This appliance is equipped with a cord having an equipment-grounding conductor and grounding plug. The plug must be inserted into an appropriate outlet that is properly installed and grounded in accordance with all local codes and ordinances.

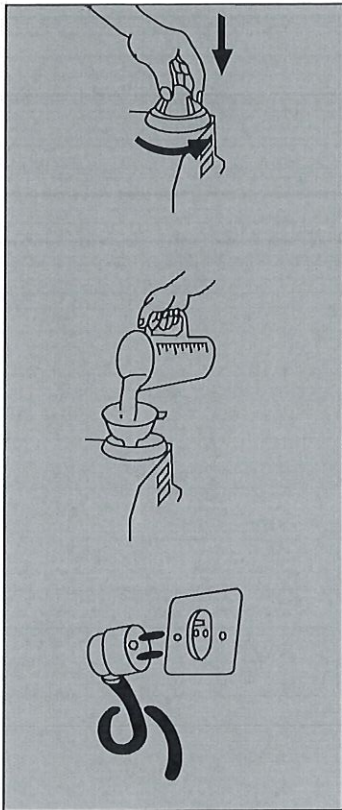


WARNING – Improper connection of the equipment-grounding conductor can result in a risk of electric shock. Check with a qualified electrician or service person if you are in doubt as to whether the outlet is properly grounded. Do not modify the plug provided with the appliance – if it will not fit the outlet, have a proper outlet installed by a qualified electrician.

This appliance is for use on a nominal 120-volt circuit and has a grounding attachment plug that looks like the plug illustrated the Figure. Make sure that the appliance is connected to an outlet having the same configuration as the plug. No adaptor should be used with this appliance.

GETTING STARTED

Steam cleaner



- Push filler cap (1) downwards, then twist left and screw open.
- Fill tank with as much water as possible (maximum filling quantity 2 litres). Use only filtered water .
Do not use distilled water.
- Press filler cap downwards, then twist right and screw shut.
- Connect electrical cord to the socket.
- Turn on main switch (4). Diode lights up: device is heating up. As soon as the green control lamp light on the pressure indicator (6) lights up, the device is ready for operation.
- Connect hose with spray gun (18). Be sure that the coupler plug is correctly engaged!
- When device is ready for operation, turn on the steam supply line switch (3).
- Screw the steam regulator (8) open and adjust according to the application.

USING THE ACCESSORIES

Attention: We recommend you start with not too strong a jet and increase the intensity as needed.

• High pressure outlet

High pressure outlet (13, 13a) with or without round brush – to apply as needed.

Use the steam trigger (G1) and direct the first jet onto a cloth to get rid of condensation and any impurities in the extension tube.

The spray gun is particularly suitable to get rid of dirt and grease from:

- Work surface joints, cracks or series of units
- Oven extractors and glass
- Varnished wood or formica kitchen units
- Ovens
- Stainless steel or enamel sinks
- Washbasins, baths, bidets, toilets, showers, taps
- to eliminate limescale and water spots
- Doors, windows, stairs
- Varnished surfaces, car tyre rims, and others

For the first stage of cleaning we recommend you use triangular brush (12, optional). According to the surface to be treated, use a dry cloth. Finally treat the most difficult and inaccessible places or those particularly dirty with the spray gun.

Getting rid of spots

Direct the steam onto the spot at the right distance (5-10 cm) to loosen and remove the dirt. At the same time rub and eliminate the dirt with a clean cloth. After this, treat the surface with the brush to get a smooth finish.

LARGE CLEANING BRUSH (10 - 10A)

Cleaning hard floors

Stick the extension tube onto the spray pistol and attach the large cleaning brush to the extension tube. Pass over the floor with even movements.

Pause a bit longer over joints and uneven places, to dissolve deeply-ingrained dirt. Repeat several times if necessary.

Finally, clamp a dry wipe cloth around the brush and wipe the whole surface clean.

The floor will shine like new.

For linoleum, proceed carefully, using very little steam; or, better yet, use a dry wipe cloth to retain the floor's natural brilliance.

Cleaning carpets with the brush cover

Using the **PRO6 Solo**, textile wall-to-wall carpets, rugs and even Persian carpets can be cleaned and disinfected, eliminating even animal hair and house mites, without chemicals and additives, restoring the original colour and providing renewed brilliance.

The elimination of deeply ingrained dirt and detergent residues left over from previous cleaning attempts may require several treatments for the best results.

For after-treatment, simply repeat the process, using a dry wipe cloth clamped over the brush attachment.

For first-time cleaning following the process, use a vacuum cleaner only.

Slide the brush cover (10a) over the brush (10) and allow it to latch into place. This allows the attachment to glide easily and smoothly over the floor, without damaging the carpeting, aspirating away any dirt as a result of the steam vortex effect and resulting under-pressure generated around the brushes by the brush cover.

Depending on the quality, rugs and carpets should be cleaned carefully with very little steam and then brushed with a clean, dry cloth over the brush attachment.

Cloth carpets, mattresses and bed frames can be cleaned and disinfected in the same way (house mites, germs, bacteria).

Cleaning of sealed parquet and marble floors

Firmly attach a triple-folded dry wipe cloth to the cleaning brushes and wipe evenly.

Cleaning of walls, ceilings and high glass panes

Extend the tubes according to the height of the room and insert the large cleaning brush with carpet glider and clip towels over.

Important: Change the cloth when it gets dirty.

Be careful with water-soluble colours!

TRIANGULAR BRUSH (optional 12)

The triangular brush is used wherever working with the large brushes is laborious and impossible due to lack of room.

Special applications:

- **Furniture covers and car seats (not leather)**

Cover the triangular brush with a clean, dry cloth and fasten it tight. Treat stubborn stains carefully with the spray gun. Spray steam from a distance of about 10 cm away, and dab with a clean, dry cloth or carefully rub dry.

- **Textiles**

Clothing, blankets, curtains, mattresses and upholstery can not only be cleaned, but freshened up as well. Cover the triangular brush with a cloth as described above and brush down the textiles lightly, or steam evenly from a short distance away. The steam penetrates and relaxes the fibres, restoring the shape of the fabric.

Important: With textiles of any kind, always follow the manufacturer instructions and/or test for colour fastness on an inconspicuous part of the fabric.

WINDOW WIPER (15)

To get dirt and grease off windows has never been easier. Fit the machine with the appropriate window accessory. Direct steam onto the windows and get rid of the dirt with the rubber squeegee. Jet nozzle and fog the window and clean with microfiber towel provides excellent results

Attention: In winter pre-heat the windows! Start cleaning only after spraying some steam from a distance of about 5-10cm.

FILLING THE BOILER

If the steam of the **DIAMANT** finishes while using the machine, the “water level” warning light lights up. The boiler must then be refilled with water.

Proceed as follows:

- 1c. Leave steam switch (3) on
- 2c. Turn off the main switch 4.
- 3c. Operate steam trigger (G1) on handle

- 4c. Disconnect electrical cord from the wall socket (9).
- 5c. Unscrew safety plug (1) turning it in an anticlockwise direction.
- 6c. Wait for a few minutes to let the boiler cool down.
- 7c. Fill the machine as described in the **GETTING STARTED** chapter. If filling the tank when hot, add small quantities of water in order to prevent water from evaporating straight away. To fill the tank use filler bottle (21).
- 8c. Close the machine and plug it in again, switch the general switch on and wait for “pressure” light (6) to light up.
- 9c. The **PRO6 Solo** is ready for use again!

FINISHING USING THE MACHINE

Switch boiler switch (4) off

Vent the remaining steam using steam button (G1).

Unplug supply cable from the mains (9).

Let the machine cool down before putting it away.

-
- Switch boiler switch (4) off
 - Vent the remaining steam using steam button (G1) or iron (25).
 - Unplug supply cable from the mains (9).
 - Let the machine cool down before putting it away.

MAINTENANCE

Since the **DIAMANT** is operated with mains water, regular decalcification is required to assure the useful life of the device as ensure proper functioning. The frequency of decalcification will depend on water hardness and duration of utilisation.

For average water hardness (10°-15°) and normal use in a private household, we recommend that the device be decalcified at least every three months.

Please proceed as follows:

- Fill the tank half full (approximately 1 litre of water) and add a commercially available decalcifier in the appropriate quantity.
- Screw the filler cap tight
- Turn on the main switch and steam supply line switch
- Wait until the diode lights up
- Turn the main switch off again and fully release the steam pressure to the spray gun using the steam button
- Allow the device to cool for a few minutes
- Empty the device and rinse the tank twice with clear water
- When using cleansing vinegar, allow the device to stand for a few hours or over night before emptying it, and then rinse it thoroughly several times

Important: The drain screw to empty the tank is located on the bottom of the device. Do not open before releasing all steam.

After emptying the tank, retighten the screw.

TECHNICAL DATA

| | |
|---------------------|-----------------|
| Input | 120V-60Hz |
| Boiler output | 1500 W |
| Boiler capacity | 2 l |
| Steam temperature | 150°C / 315°F |
| Maximum pressure | 500 kPa (5 bar) |
| Profi electric iron | 850 W |
| Boiler | Stainless |

USER INFORMATION

In accordance with the provisions of Guidelines 2002/95/EU, 2002/96/EU and 2003/108/EU on the Restriction of the Use of Certain Hazardous Substances in Electrical and Electronic Devices and Waste Electrical and Electronic Equipment, the symbol of the “crossed-out rubbish bin” on the product means that the device must be disposed of separately from other rubbish at the end of its useful life.



This means that when the device reaches the end of its useful life, the user will be required to take the device to an appropriate specialist centre for the separate disposal of electronic and electro-technical equipment, or return it to the dealer when purchasing a new device of the same kind, in a ratio of one to one.

The separate collection and disposal of this device for recycling protects the environment and prevents hazards to human health while facilitating the reuse of its constituent materials.

Improper disposal of this product by the user will result in application of the relevant penalties provided for under national legislation.

CE