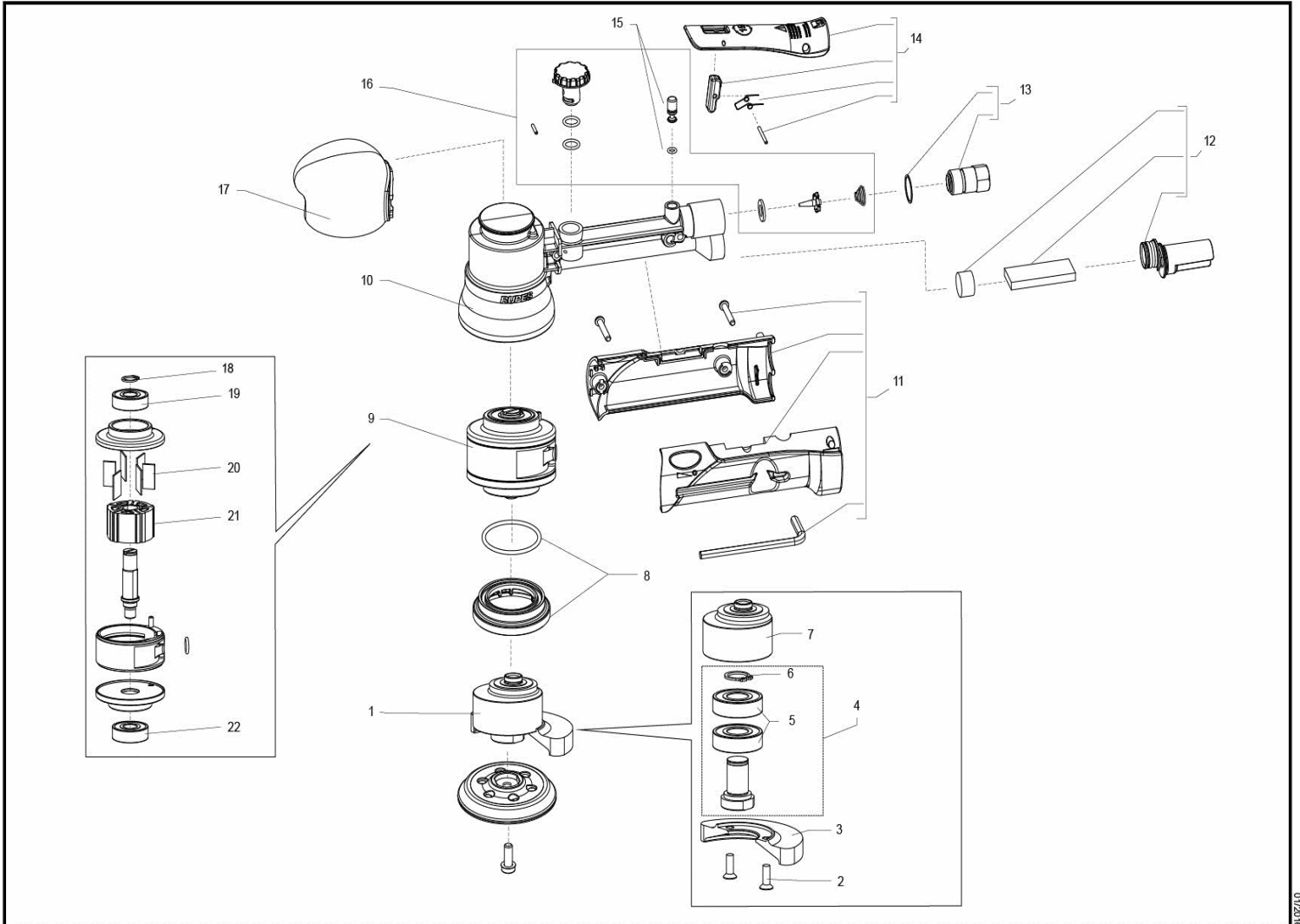


MINI LEVIGATRICE ORBITALE MINI ORBITAL SANDER

LHR 75



ID	ITEM	DESCRIPTION
001	58.197/C	BALANCER ORBITAL 15mm GROUP
002	9.6150	SCREW M4 x 12 T.S.P. BURNISHED CI.88
003	57.197	PRIMARY COUNTERWEIGHT
004	560.197/C	BALANCER SHAFT GROUP
005	9.83/10	BEARING 629 2Z
006	9.120	SEEGER
007	58.197	ECCENTRIC BALANCER ORBITAL 15mm
008	55.197/C	NUT GROUP MIT OR LHR series
009	10.197/C	COMPLETE MOTOR GROUP
010	31.197/C	LHR75 COMPLETE MOTOR BODY
011	44.197/C	COMPLETE HANDLE+HEXAGONAL SPANNER
012	19.197/C	COMPLETE AIR EXHAUST KIT LHR150
013	43.330/C	AIR ENTRY CONNECTOR
014	38.197/C	COMPLETE LEVER GROUP
015	382.197/C	PIN VALVE LHR75
016	30.197/C	COMPLETE VALVE GROUP
017	81.197	RUBBER CAP
018	9.100	SEEGER d.10 UNI 7435
019	9.181/10	BEARING SKF 6000 2Z-LHT23
020	18.197/10	VANE SUPERGLIDE 1x9,30x19,95 - RH 10pcs.
021	10.197	FLOATING ROTOR
022	9.181/10	BEARING SKF 6000 2Z-LHT23