



TL-300

Mid-reach Compact Portable Rechargeable / Mains

Lighting Tower

Portable
Site Light

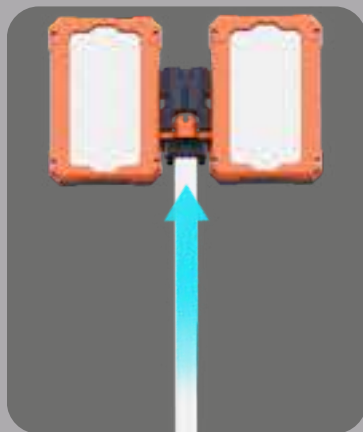


TALL, BRIGHT & STABLE

Expanding or retracting requires just two steps and can be completed in 10 seconds.



1 Release the legs



2 Release and rise the extension pole

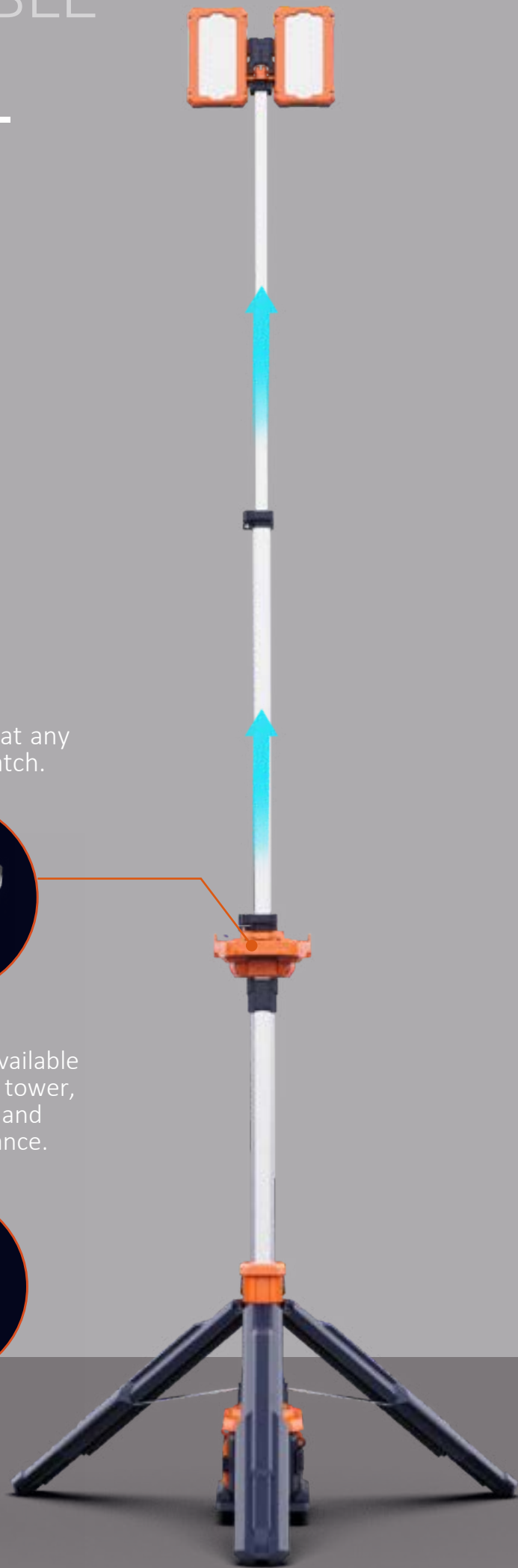
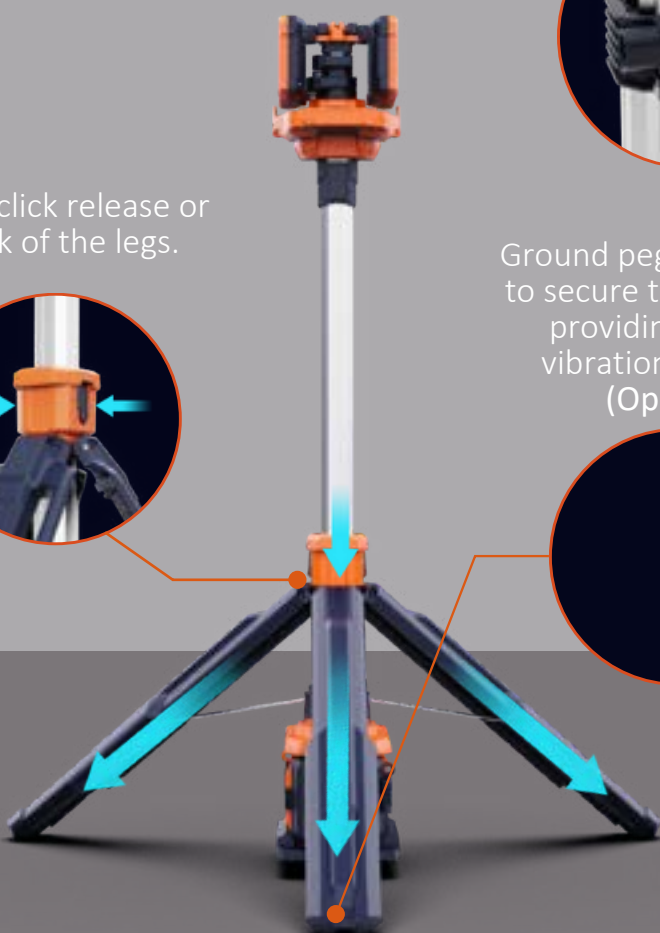
Secure the lamp at any height with the latch.



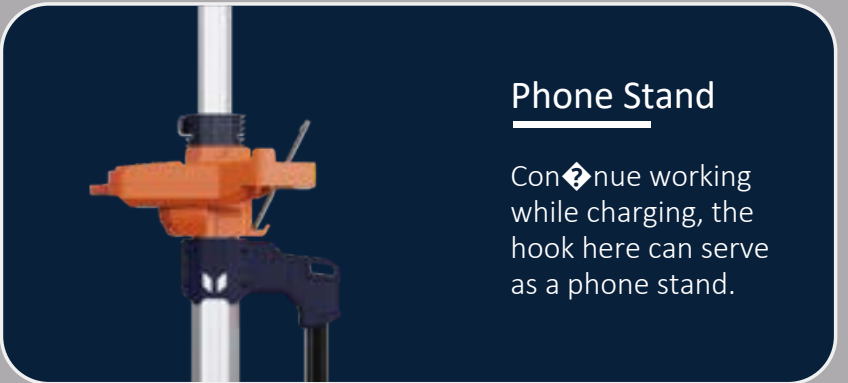
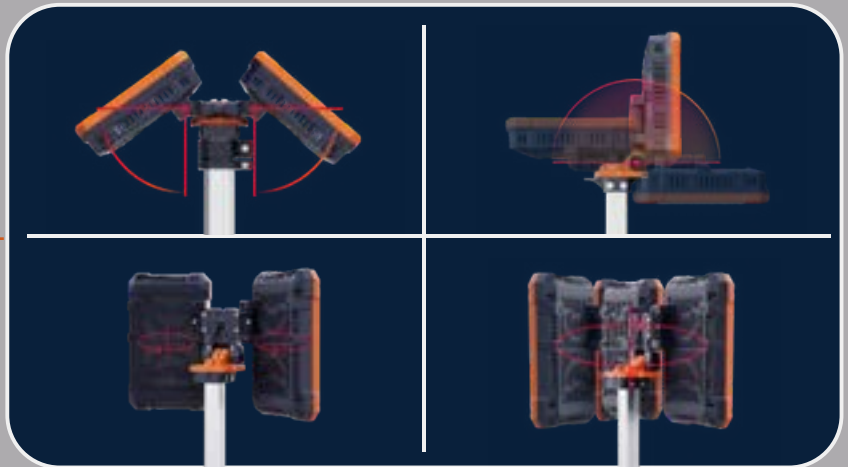
One-click release or lock of the legs.



Ground pegs are available to secure the light tower, providing wind and vibration resistance. (Optional)



DESIGN HIDDEN IN THE DETAILS



LOWER CENTER OF GRAVITY, GREATER STABILITY.

Ultra-low center of gravity combined with extended legs effortlessly handles strong winds and steep slopes.



Ultra-long working hours

Standard Mode Up To **13+** Hours
(D24-100 x2)

2 types of battery packs with different capacities available.



D24-54 x 2

Typical working hours 36+ hours on Eco mode.



D24-100 x 2

Doubled typical working hours to 71+ hours.

Battery compartment fits two replaceable battery packs.



High light efficiency illuminating a wider space

Equipped with high-brightness LED light source and high-quality optical lens system

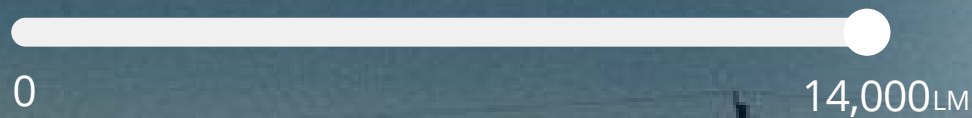
AC Powered

Up To **14,000**_{LM}

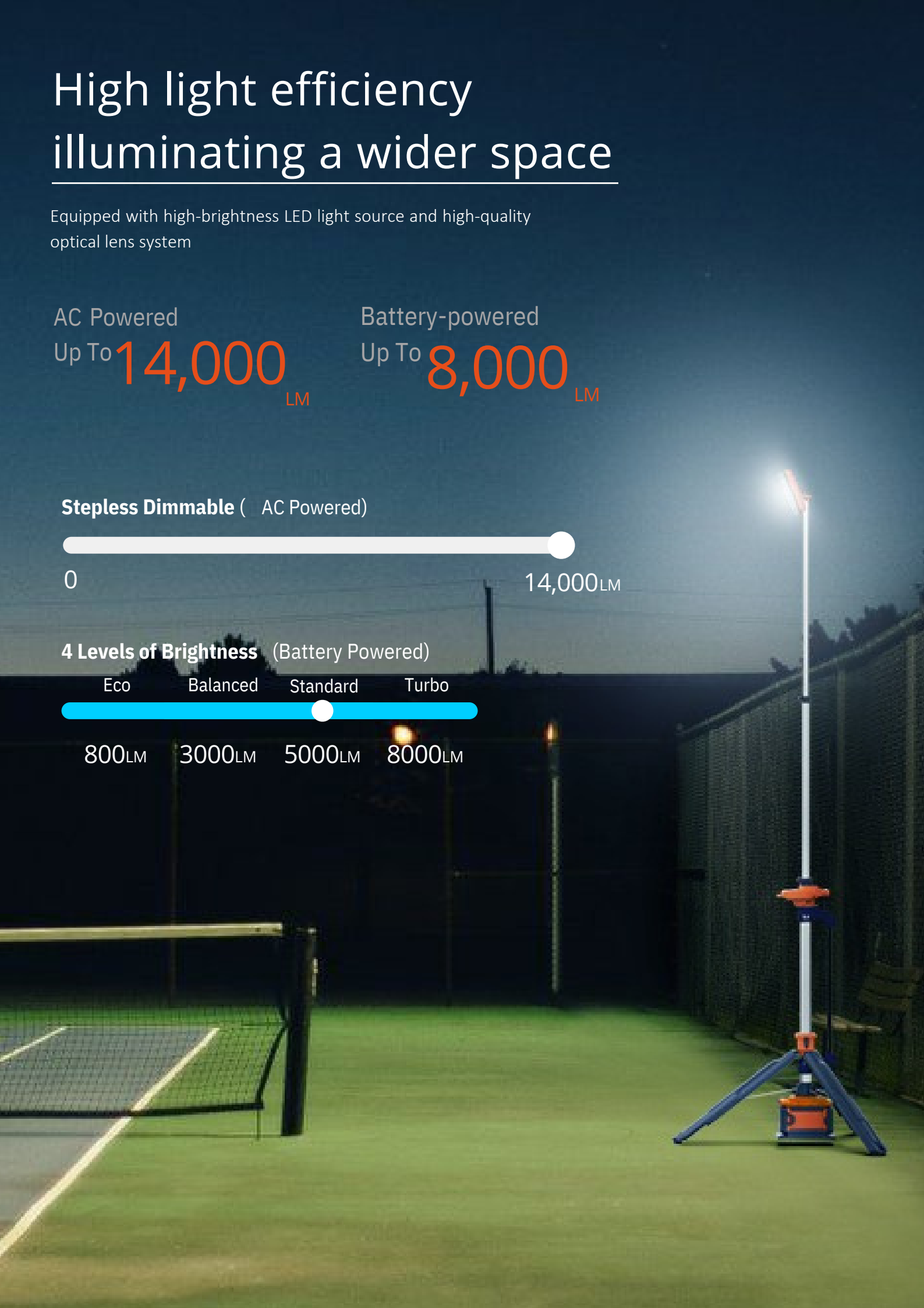
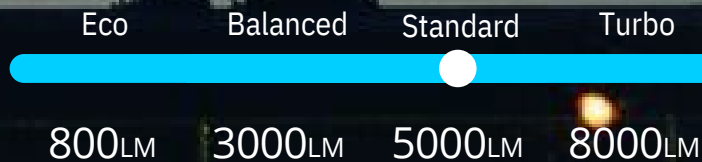
Battery-powered

Up To **8,000**_{LM}

Stepless Dimmable (AC Powered)



4 Levels of Brightness (Battery Powered)





Construction



Emergency



Sport



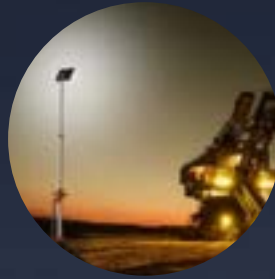
Maintenance



Infrastructure



Outdoor activities



Mining



Railway

Designed for single-person operation

Easy to grip and move,
weight 8.2 kg excluding battery pack.



1.25m

3.1m



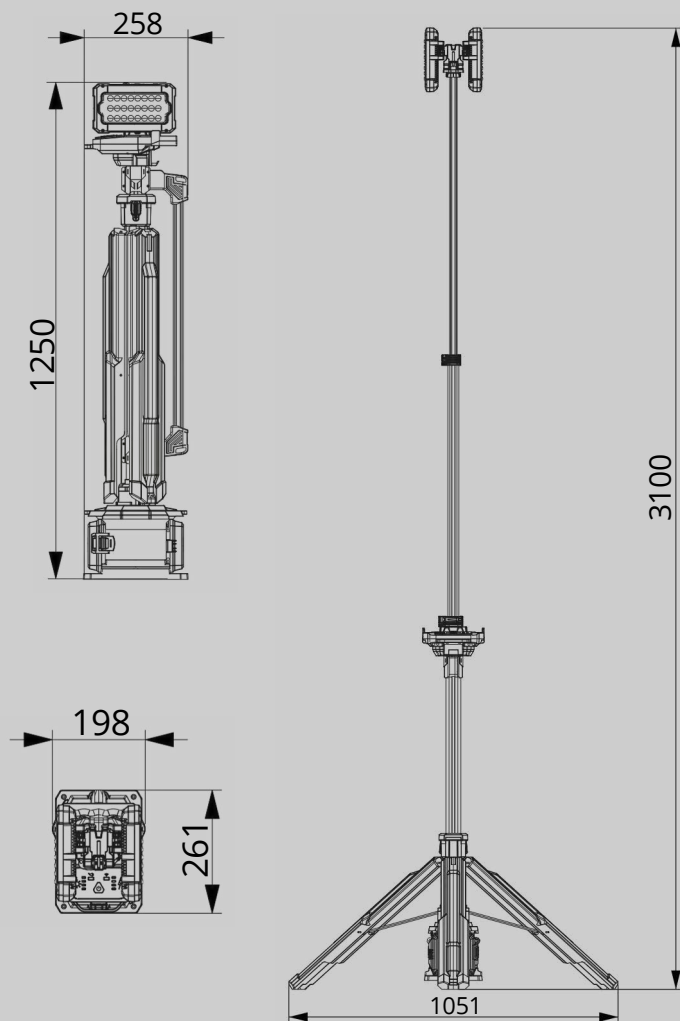
Specifications

TL-300

Height	1.25m-3.1m
Weight	8.2KG (Fitting only)
Power Supply	D24 series battery pack / AC 100-277V
Lumens	0-14000Lm
Run Times	>13h10mins (Standard mode, D24-100 x 2)
IP Grade	IP66
Output(USB)	5V 2A
Operating Temp	-10°C-50°C



Size (mm)



Package

Model	TL-300
Size of Carton	1350x280x390mm
Gross Weight of Carton	11.5KG
PC S/Carton	1



Power-2Go

Unit C, Buckshaw Link, Ordnance Road,
Chorley, Lancashire PR7 7E

Tel 01934 900471

Web: www.power-2Go.com
Email: info@Power-2Go.com