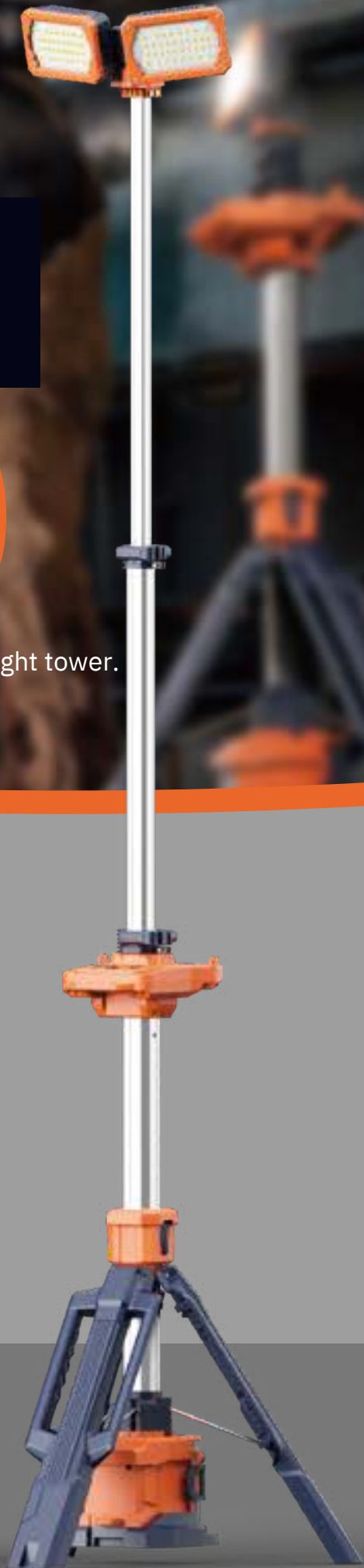


power
2 GO

TL-200

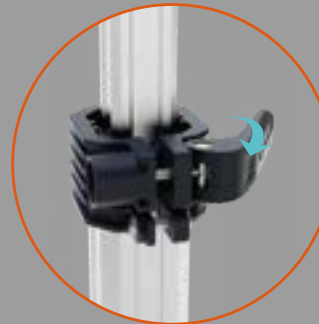
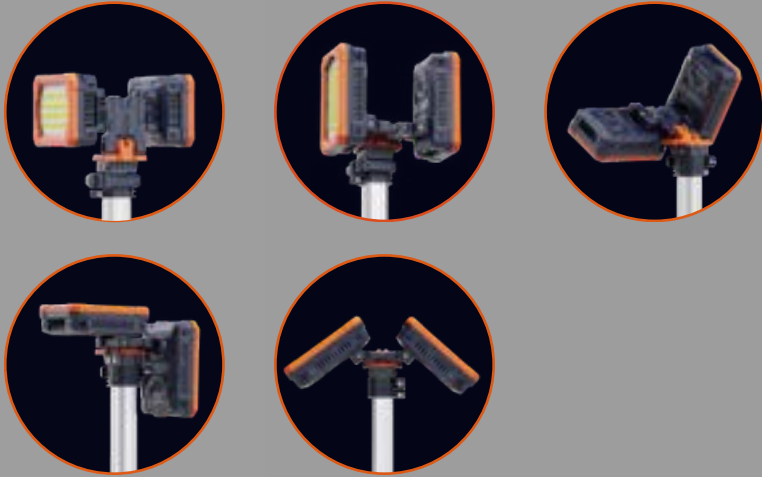
Compact portable mains & rechargeable light tower.



Portable
Tripod
Light

LIGHTER, BRIGHTER, FASTER DEPLOYMENT

Unfolding or folding the TL-200 takes just two steps, in under 10 seconds.



Secure the lamp at any height with the clamp.

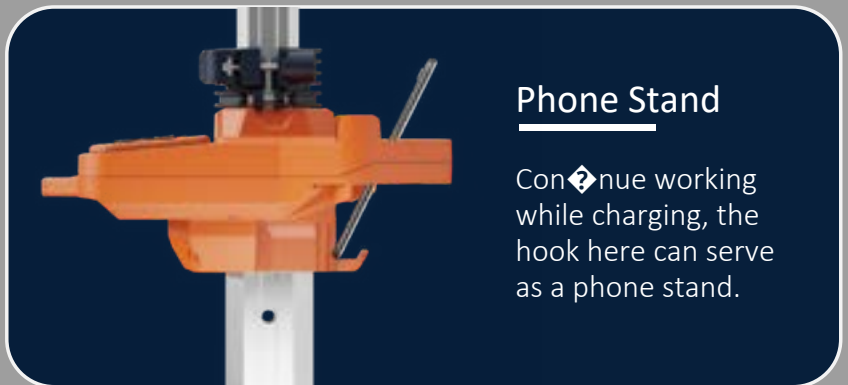
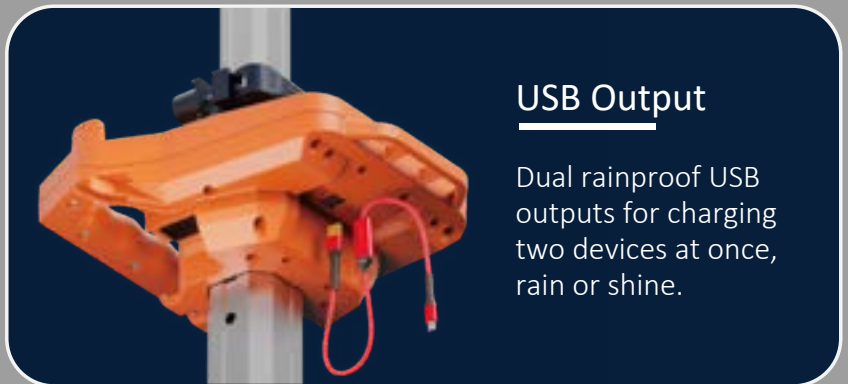
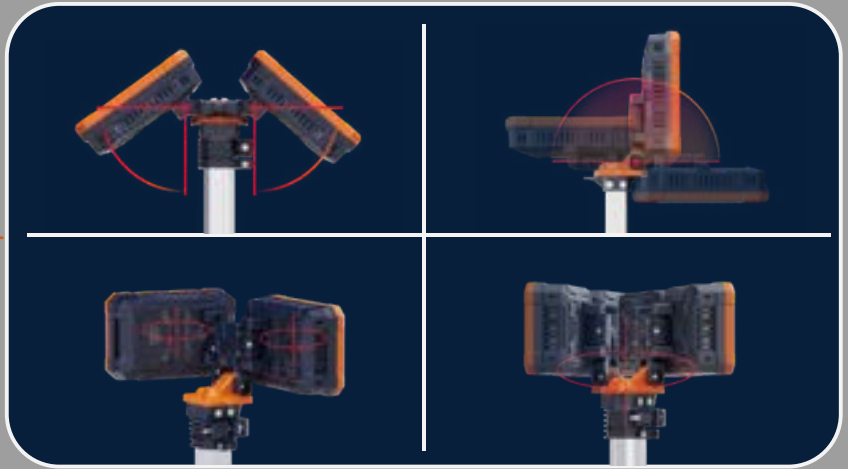
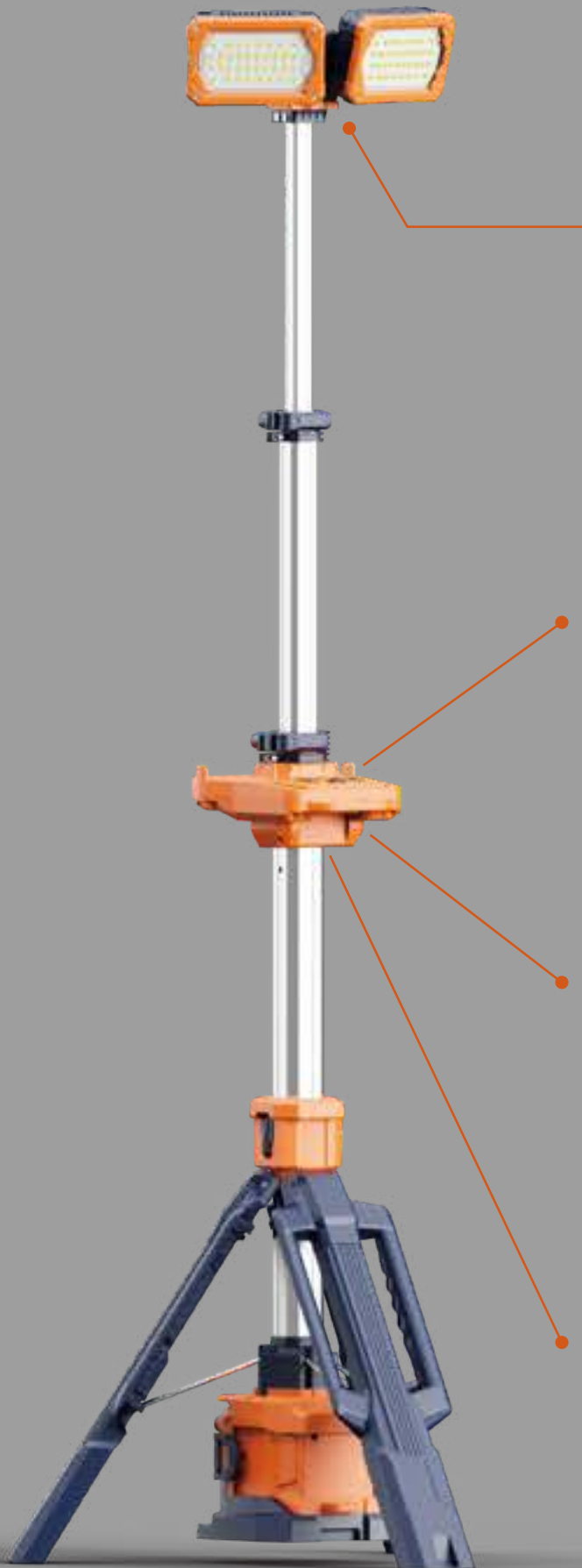
One button to release tripod.



Optional ground pegs are available to secure the legs, providing wind and vibration resistance.



DETAILED DESIGN, SMART FEATURES



Ultra-long Endurance

Standard Mode Up To **8+ H**
(D24-100 & Dual-head Version)

2 types of battery packs with different capacities available



D24-54

Typical working hours 22 hours on TL-200 Eco mode.



D24-100

Double typical working hours to 45 hours.

Two Options Available Single Head Or Brighter Dual-head Version

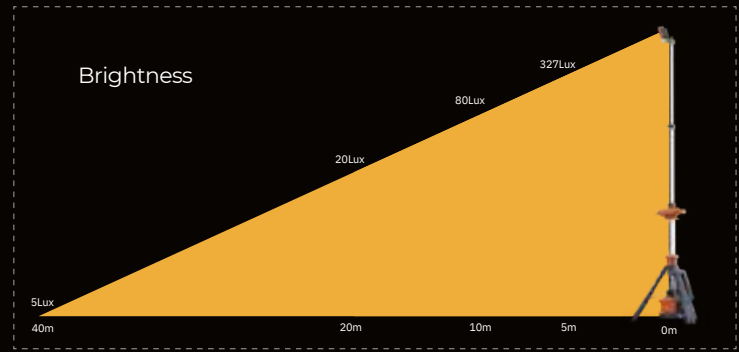


Single head version is only available as a battery powered system

Dual head version has both mains and battery power options (requires X1-75-56BH driver for mains operation)

▪ Dual-head

AC	0-12,000LM Stepless Dimmable	
Battery (4 Mode)	Turbo	6,000LM
	Standard	3,500LM
	Balanced	2,200LM
	Eco	600LM



* 'Brightness' represents the center point illuminance value of the lighting direction.

▪ Single Head

Battery (4 Mode)	Turbo	4,000LM
	Standard	2,500LM
	Balanced	1,500LM
	Eco	450LM

AC Powered

Up To **12,000** LM

Battery-powered

Up To **6,000** LM





Construction



Maintenance



Infrastructure



Camping



Railway



Mining



Emergency



Sport

One person operation

Less than 6Kg excluding battery.



2.3m



1.0m



Specifications

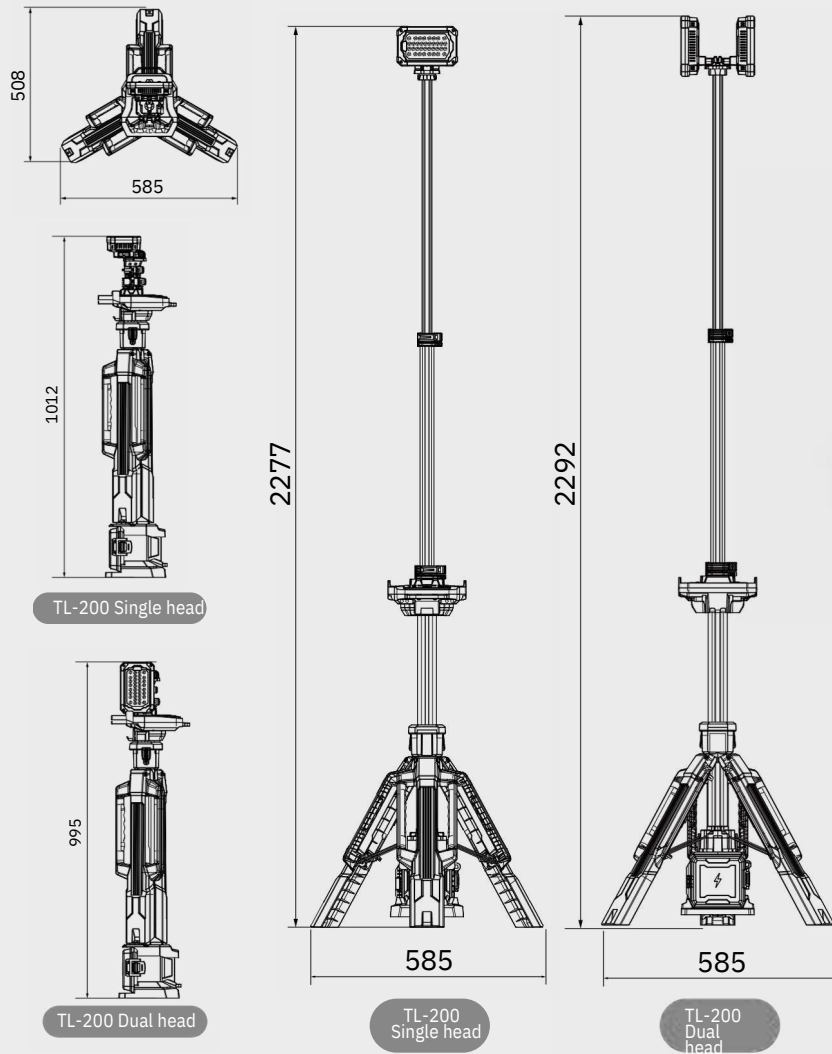
TL-200 Dual head

Hight	1m~2.3m
Weight	6.3Kg (Fitting only)
Power Supply	D24 series battery pack / AC 100-
Lumens	277V 0 - 12,000Lm
Run Times	>8 hours (Standard mode, D24-100)
IP Grade	IP66
Output(USB)	5V 2A (2 Dock)

TL-200 Single head

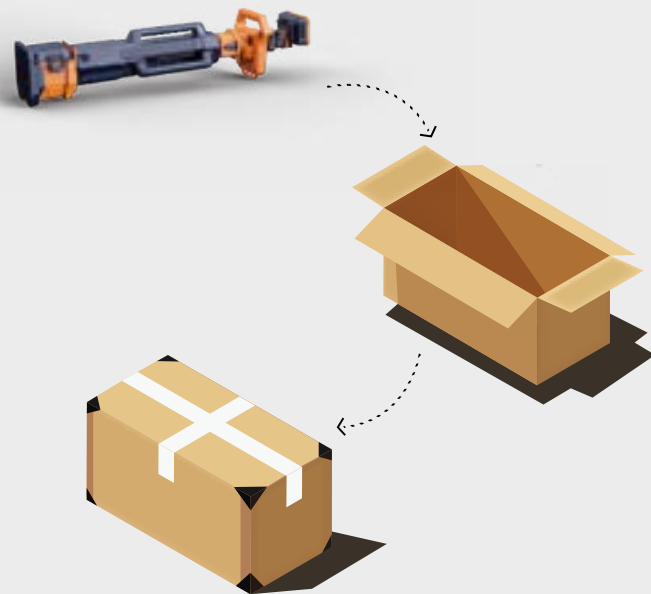
Hight	1m~2.3m
Weight	5.9Kg (Fitting only)
Power Supply	D24 series battery pack
Lumens	0 - 4,000Lm
Run Times	>8 hours (Standard mode, D24-
IP Grade	100) IP66
Output(USB)	5V 2A (2 Dock)

Size (mm)



Package

Model	TL-200 Single head	TL-200 Dual head
Size of Carton	109x26x33cm	109x26x33cm
Gross Weight of Carton	7.5KG±5%	8.0KG±5%
PC S/Carton	1	1



Power-2Go
Unit C, Buckshaw Link
Ordnance Road, Chorley, Lancashire
PR7 7EL

Tel 01934 900471
Web: www.power-2Go.com
Email: info@Power-2Go.com