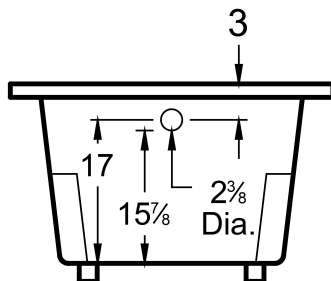
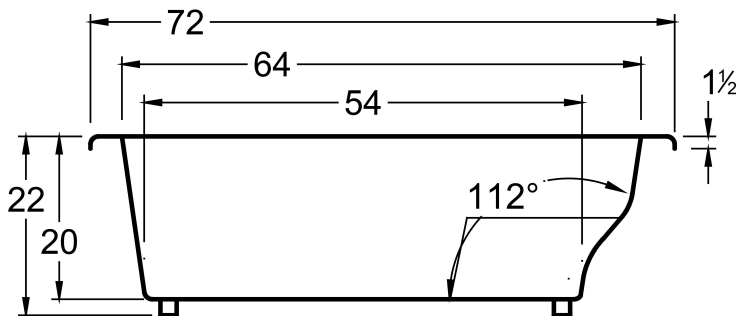
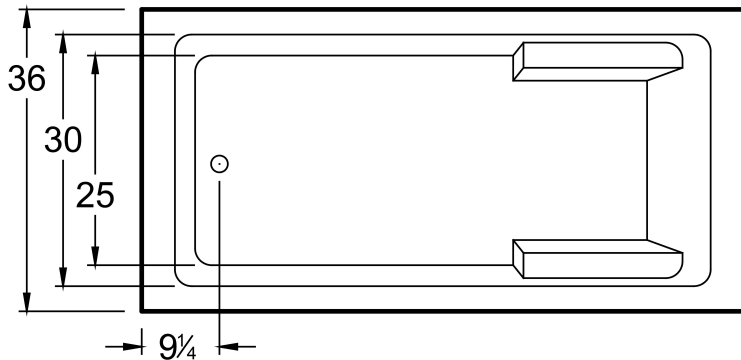


## NADIA 7236



### DIMENSIONS

72 x 36 x 22 deep (1829 x 914 x 559 mm)  
 Whirlpool Operating Gallons = 68 (Liters = 257)  
 Gallon to Overflow = 98 (Liters = 371)  
 Weight of Bathtub = 195 lbs (88 kg)

### MATERIAL

Acrylic

### TUB FLOOR

Non-Textured

### UNDERMOUNT: YES

- Americh tub decks are designed with a slight pitch toward the bathing well so water will drain into the tub. You must advise Americh if the tub will be undermounted and we will flatten the deck to ease installation.
- If tub has deck mounted controls, advise Americh of undermount and we will ship controls loose for field installation.
- When cutting undermount surface (ie, marble, granite, etc) always take dimensions directly from the unit.

### APPROVALS & COMPLIANCE



Americh products meet or exceed the following standards:

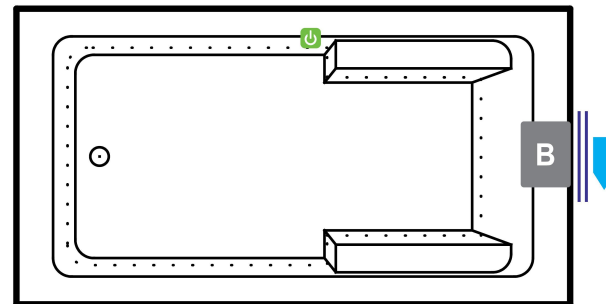
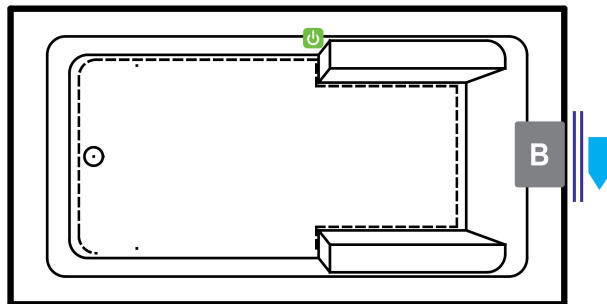
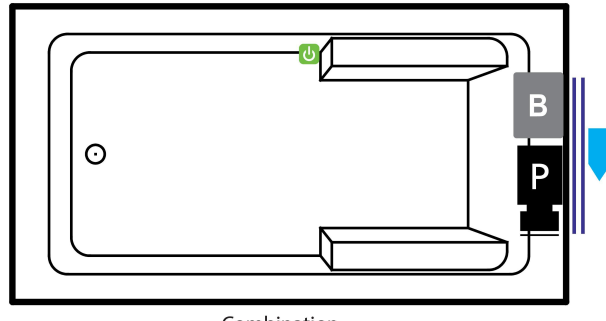
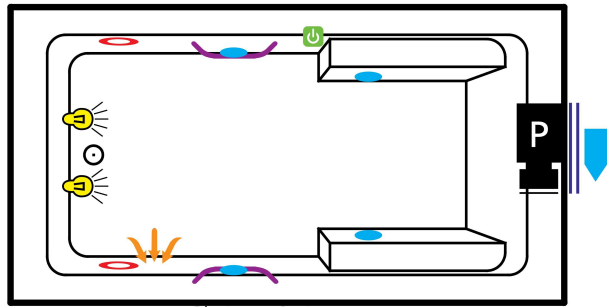
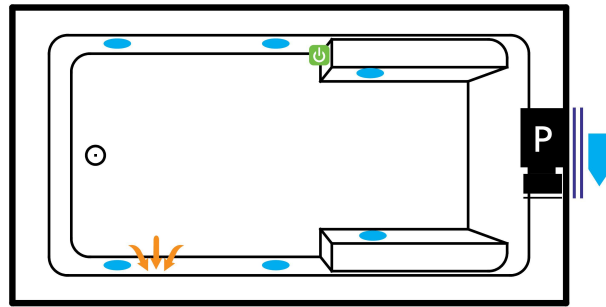
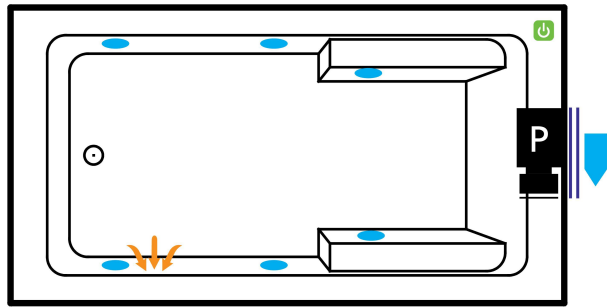
- Underwriters Laboratories (UL)
- Underwriters Laboratories - Canada (cUL)
- ANSI Z124.1 • ANSI A112-19.7
- ANSI A112.19.8

Contact Americh for additional approvals.

### STANDARD EQUIPMENT

- Adjustable leveling legs

## BATHING SYSTEMS



## LEGEND

- Pump
- Blower
- Jet
- Rotary Jet
- Suction
- Light
- ON/OFF Control
- Grab Bar
- Access Panel  
(Minimum 16" X 20")
- MFG ID Label

## OPTIONAL ACCESSORIES

- Color Upcharge
  - Matte White Acrylic Upgrade
  - ANEX (Americh Nanobubble Experience)
  - Apron
    - Flat Panel
    - Removable Panel
  - Chromatherapy \*
  - Drop-in Drain Kit
  - Grab Bars: 9" or 14" or 16" \*
  - High Density Insulation \*
  - Inline Heater (whirlpool only)
  - Jets: Additional or Rotary
  - Linear Overflow w/Toe Touch Drain
  - LoProfile edge
  - Ozone System (whirlpool and/or Airbath only)
  - Pillows: 12" \* or Angle
  - Serenity Soak (tub only)
  - Syllent Pump with Heated Air 1.0HP Upgrade \*
  - Thermal Comfort System (TCS can not be used with VSM)
  - Tile Flange Kit
  - Trim Kit Upgrade \*
  - Trim Plate for Linear Overflow
  - Waste & Overflows Upgrades
    - Cable Drive Waste & Overflow \*
    - PVC Waste & Overflow +
- (\*) Standard on Platinum Series  
(+) Standard on Luxury Series

## INSTALLATION TIPS

- Install according to Owner's Manual and local codes.
- Always consult your local plumber for recommendations as installations will vary.
- Any tub with whirlpool, Airbath or ANEX system requires an access panel (16"x20" minimum)
- Cut dimensions: 2" smaller than size of tub. It is recommended to wait for the unit before cutting.
- The combination of multiple systems and options may require components to stick out and/or be remotely installed in the field.
- Factory installed aprons may increase the overall height of the tub when ordered with certain accessories (ie. Linear Drain)
- Center Drain tubs with Linear Drain option may not use 9" Grab Bar option. Only 14" or 16" Grab Bar option is available with these units.
- Hot water supply should be 65%-75% of tub capacity or greater.

## ELECTRICAL REQUIREMENTS

Americh recommends one 20 amp ground fault circuit interrupter (GFCI) for each power supply provided with the bathtub.