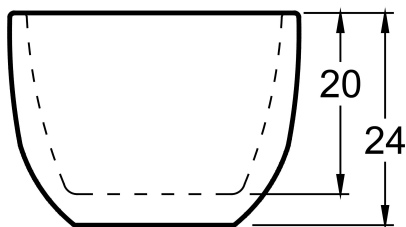
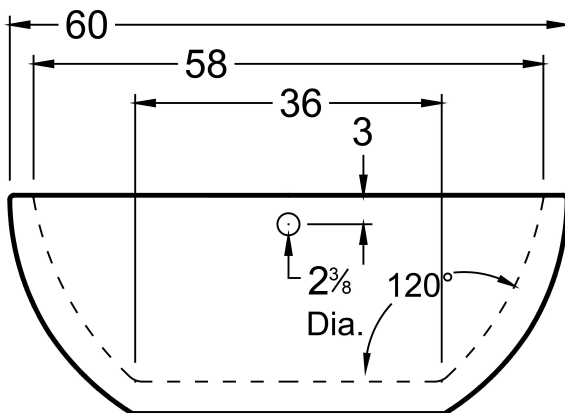
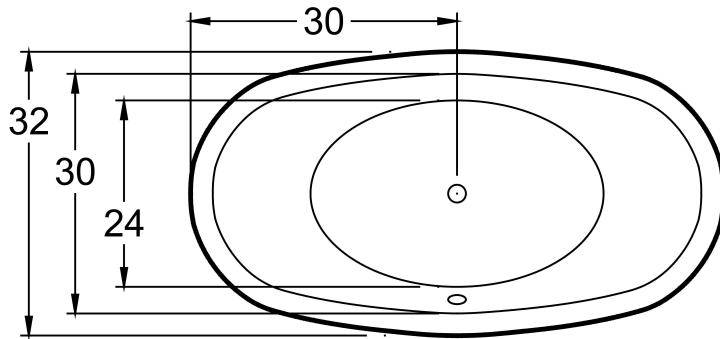


# AMERICH®

## CONTURA II 6032



### DIMENSIONS

60 x 32 x 24 deep (1524 x 813 x 610 mm)  
Gallon to Overflow = 68 (Liters = 257)  
Factory installed integral drain.

### MATERIAL

Acrylic

### TUB FLOOR

Non-Textured

### UNDERMOUNT: NO

This tub is not designed for undermount installation.

### APPROVALS & COMPLIANCE



Americh products meet or exceed the following standards:

- Underwriters Laboratories (UL)
- Underwriters Laboratories - Canada (cUL)
- ANSI Z124.1 • ANSI A112-19.7
- ANSI A112.19.8

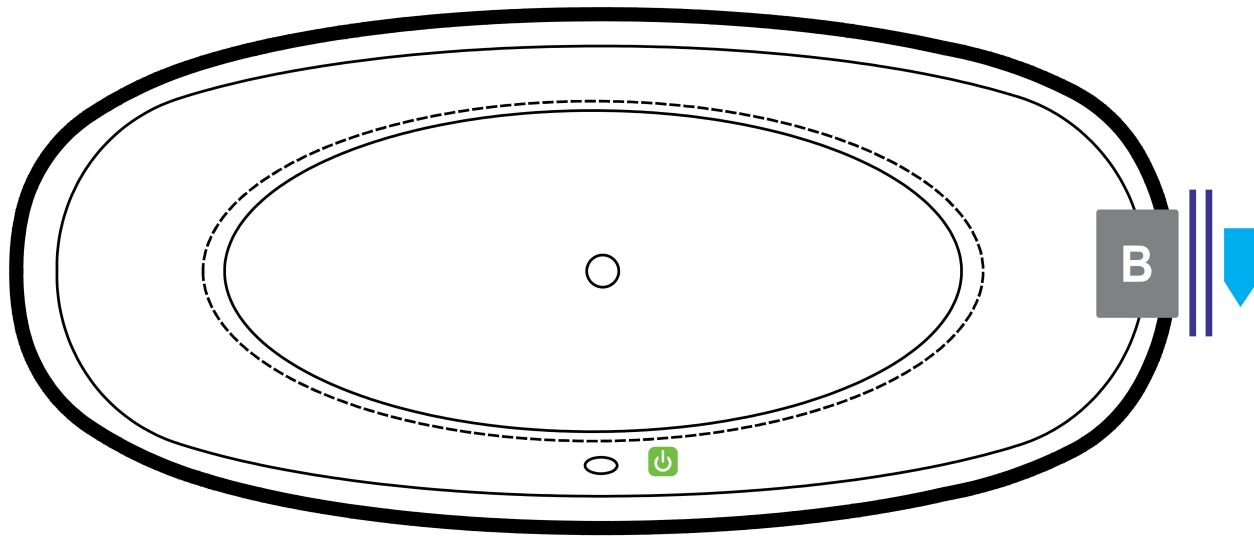
Contact Americh for additional approvals.

★ Made in the USA

All bathtub dimensions are ± 1/2"

Last Update 5/28/24  
Always check our website for the most updated specifications: [Americh.com](http://Americh.com)

**LEGEND**



**Airbath System II**

Factory installed blower may only be placed in this location.

**STANDARD EQUIPMENT**

- Integral Waste & Overflow
- Lift Bag Included

**OPTIONAL ACCESSORIES**

- Color Upcharge
- Matte White Acrylic Upgrade
- Chromatherapy \*
- Drop-in Drain Kit
- Pillows: 12" \*
- Trim Plate for Linear Overflow

**INSTALLATION TIPS**

- Install according to Owner’s Manual and local codes.
- Always consult your local plumber for recommendations as installations will vary.
- The bath must be secured to the floor by applying a bead of silicone around the base (which can be cut in future should there be a need to access to the plumbing).
- Installation must be carried out according to the manufacturer instructions.
- Hot water supply should be 65-75% of tub capacity or greater.

**ELECTRICAL REQUIREMENTS**

Americh recommends one 20 amp ground fault circuit interrupter (GFCI) for each power supply provided with the bathtub.