

# 1 piece freestanding tub installation

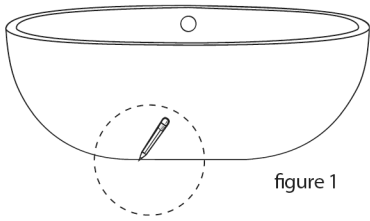


figure 1

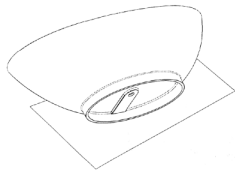


figure 2

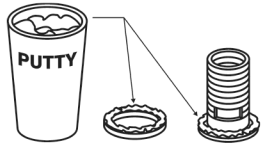


figure 3

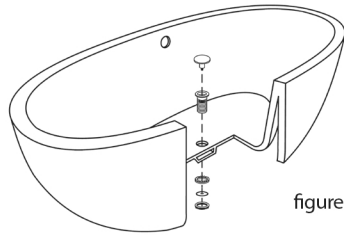
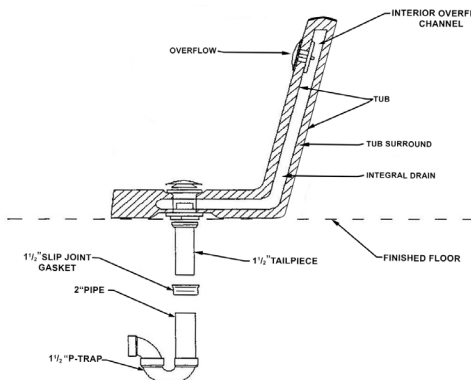
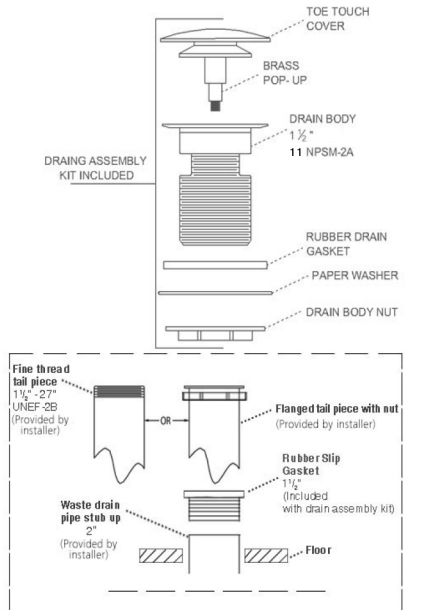


figure 4

figure 5  
(Integral Drain Unit Hardware Shown)

## Integral Drain / Pop up assembly



## PREPARATION

1. Clean, level, and prepare the floor for installation.
2. Place the unit in the exact installed position on the floor and trace the outline of the bath with a pencil or any erasable marking (figure 1).
3. Determine the location of the drain pipe on the floor by taking measurements of the drain and waste location underneath the unit (figure 2).

*Note: Drain and waste locations will vary by model.*

4. Using a blanket, cardboard, or other clean protective surface, turn the unit on its side so that the unit is properly supported during drain installation.
5. Clean the drain hole area in preparation of setting the drain. The area should be dry and free of any debris.

## INSTALL DRAIN & TAIL PIECE HARDWARE

All parts involved in tail piece installation are provided by the installer.

Determine if the tub has a factory installed integral drain or if a field installed drain is requested. Tubs with factory installed integral drains continue with instructions. Tubs with field installed drains go to step 10.

### Tubs with factory installed integral drains (steps 6-12):

6. Apply a bead of clear silicone or plumbers putty around the Drain Body and pass it through the drain hole (figure 3).
7. Apply plumbers putty to the Rubber slip gasket and slide it over the bottom of the Drain Body (figure 3).
8. Slide the paper washer over the drain body.
9. Attach the Drain Body Nut on the Drain Body and tighten until the Nut and Washer have created a seal with the bottom of the bathtub. **DO NOT OVERTIGHTEN** (figure 4).
10. Insert 1 1/2" rubber slip gasket into the drain waste vent (figure 5).
11. Cut tail piece to desired length (will vary for each installation).
12. Connect tail piece assembly to drain body (figure 5).