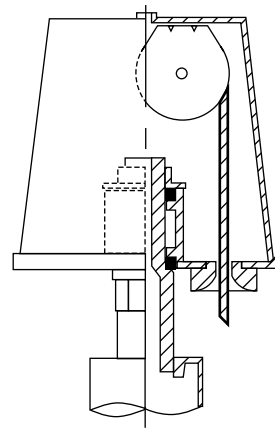
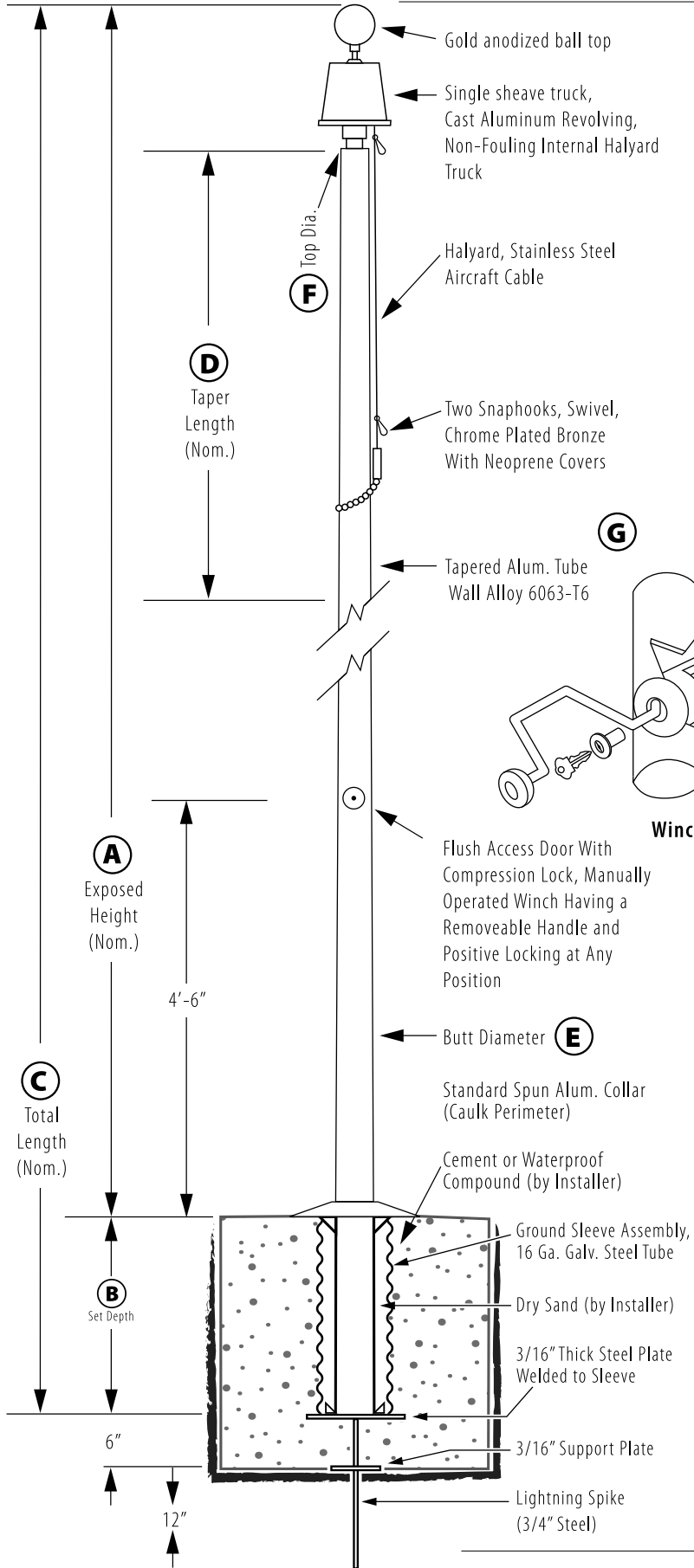
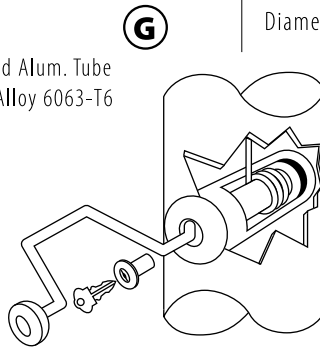


# Internal Winch - Ground Set

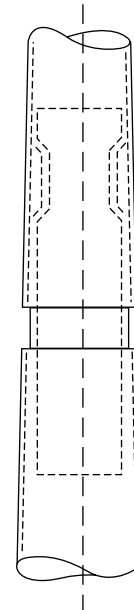
Model # IWM50D13-02



**Revolving Non-Fouling Internal Halyard Truck**  
 Cast Aluminum Body, 26 Stainless Steel Ball Bearings, 2-1/2" Diameter Plate Steel Sheave.



**Winch Detail**



Customer Name: \_\_\_\_\_

Rep Name: \_\_\_\_\_

Architect Name: \_\_\_\_\_

Project: \_\_\_\_\_

Location: \_\_\_\_\_

PO Number: \_\_\_\_\_

Quantity: \_\_\_\_\_

Notes: \_\_\_\_\_

<b>A - Exposed Height</b>	50 ft.
<b>B - Set Depth</b>	5 ft.
<b>C - Total Length</b>	55 ft.
<b>D - Taper</b>	33 ft.
<b>E - Butt Diameter</b>	10 in.
<b>F - Top Diameter</b>	4 in.
<b>G - Wall Thickness</b>	0.188 in.

**Finish:**  
Satin Aluminum, 80 Grit

**Piece:** 3

**Accessories:**  
Gold anodized ball top, standard collar

All shafts with overall length of 33' or more are shipped in **two sections**

1-1/2" maximum shop gap allowed for field fitting (ram for tight joint).

*Joint occurs on 2 or more piece flagpoles.*