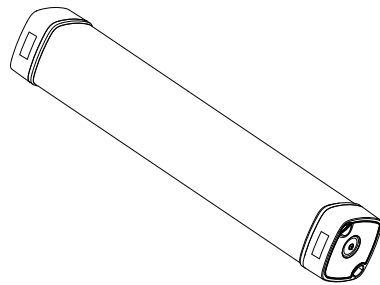




USER MANUAL

BASE 300 MULTI-LIGHT



Base 300 Multi-Light

! Thanks for choosing our product, please read this instruction manual carefully before using and operating it according to the instructions.

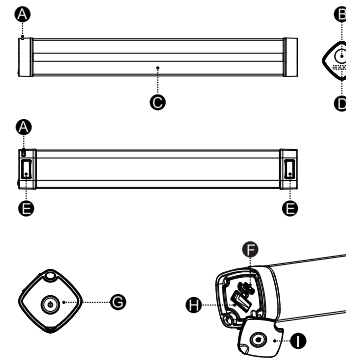
Product Features

1. The product is water resistant IP65.
2. The product has multi-modes: white light mode, warning mode, mosquito repellent mode and torch light mode. The maximum power is 3W.
3. With Power bank function. Output: 5V/2.4A(Max), Input: 2.1A (Max).
4. Built-in strong magnets. It can attach to iron material product.
5. With a hole for lanyard. It can be hung on anywhere you want and free your hands.
6. Built-in rechargeable li-ion battery.

What's Included

- LED Light X1
- User Manual X1
- Carry Bag X1
- USB Cable X1
- Lanyard X1

Product Structure Instruction

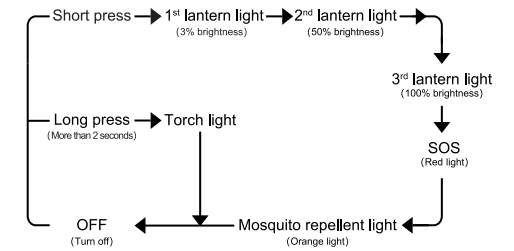


- A** Hanging rope hole
- B** Torch light
- C** Luminous surface cover
- D** Power/Charging indicators
- E** Strong magnet
- F** USB charging port
- G** Switch
- H** USB output interface
- I** Water resistant cap (Remove the cap when need charge)

Operating Instruction

1. Short press on the button will change lighting modes from the 1st white lantern light → the 2nd white lantern light → the 3rd white lantern light → red/blue SOS → mosquito repellent Light → off.
2. When off, long press more than 2 seconds will turn on the torch light, then short press or long press will turn off the torch light.
3. When on, long press more than 2 seconds at any mode will turn off the product.

Lighting Modes Diagram



Brightness Instruction

Mode	Brightness Level
1 st White Lantern Light	3%
2 nd White Lantern Light	50%
3 rd White Lantern Light	100%
4 th Red Double Flash	100%
5 th Mosquito Repellent Light	100%
Torch Light	100%

Battery Life

1. The light run time is from 6 to 100 hours depending on different modes.
2. The power bank run time depends on the current draw of the electronic device connected.

Mode	Run Time
1 st White Lantern Light	~100 hours
2 nd White Lantern Light	~12 hours
3 rd White Lantern Light	~6 hours
4 th Red Double Flash	~90 hours
5 th Mosquito Repellent Light	~6 hours
Torch Light	~9 hours
Charging Time	~4 hours

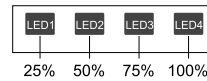
General Maintenance

Using a soft, dry cloth to wipe the product components and its surface. Please do not use liquids or solvents as this may damage the product surface.

Charging Time

It will take about 4 hours to get full charge if using a 2A adapter.

Power Display



Power Indicator Status in Charging

Battery C (%)	LED1	LED2	LED3	LED4
Full Charge	ON	ON	ON	ON
75%≤C	ON	ON	ON	Flash
50%≤C < 75%	ON	ON	Flash	OFF
25%≤C < 50%	ON	Flash	OFF	OFF
C < 25%	Flash	OFF	OFF	OFF

When the product is working in low battery, the first indicator will flash.

Power Indicator Status in Working

Battery C (%)	LED1	LED2	LED3	LED4
C≥75%	ON	ON	ON	ON
50%≤C < 75%	ON	ON	ON	OFF
25%≤C < 50%	ON	ON	OFF	OFF
3%≤C < 25%	ON	OFF	OFF	OFF
0%≤C < 3%	Flash	OFF	OFF	OFF

Specifications

Model	Base 300	Output	DC 5V/2.4A
Input	DC 5V/2.1A(MAX)	Power	3W(max)
Brightness	300lm	Weight	331g
CCT	6000K	Application	Indoor/Outdoor
Size	35×35×292mm		
Battery	Li-ion 3.7V 6000mAh / 22.2Wh		
Charging Time	~4 hours		
Operating Temperature	0~40℃		
Storage Temperature	-10~50℃		

Note: LED light source of this lamp is irreplaceable, please replace the whole lamp when LED Light source comes to the end of life.

Warning

Do not use or charge product if:

- The shell is damaged
- The cable is damaged
- The item has been submerged in water
- The product releases gas or has an unusual flickering



PLEASE NOTE

1. Keep the batteries away from fires and high temperatures.
2. Keep small parts away from children.
3. Dispose of this product responsibly, do not discard in a fire.
4. Do not modify or take this product apart. Don't shake, beat or strike it.
5. Don't use the light if it is leaking. Wash your eyes immediately if the liquid leaks and splashes into your eyes.
6. Please read the voltage specifications carefully before using this product.
7. To maintain battery life, please charge this product to 100% every three months even when not in use. Charge in a dry area only.
8. Remove the charging cable from power source when not in use.

