

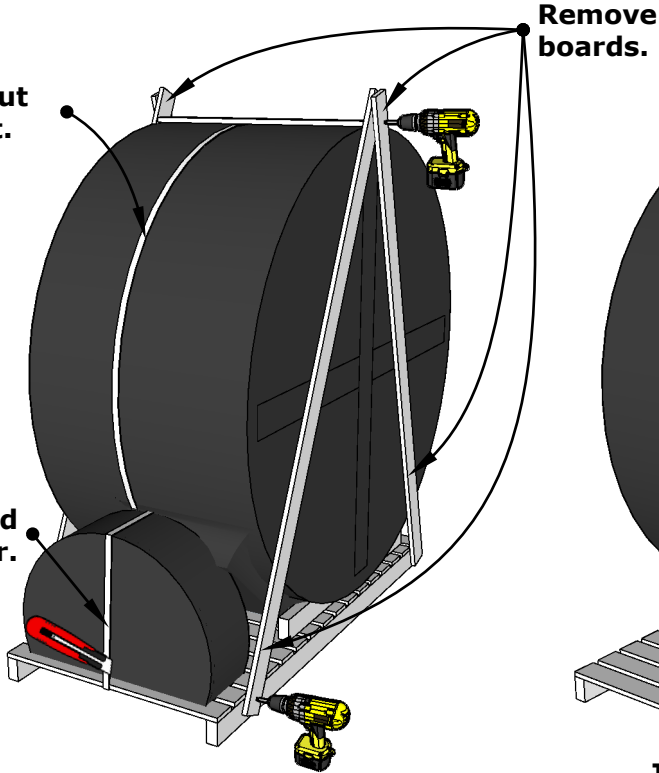
DeLux Hottube installation.

Serial No _____

NB! Don't cut hottube belt.

Cut belt and remove stair.

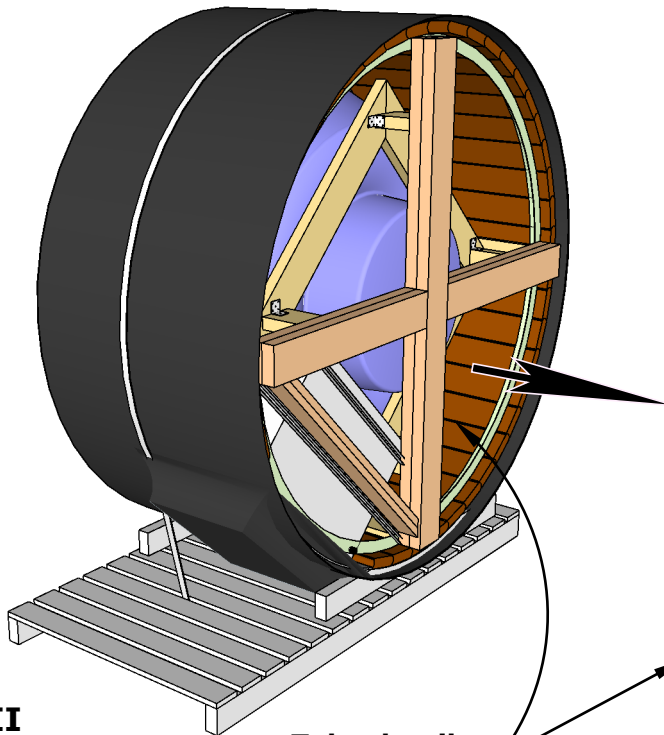
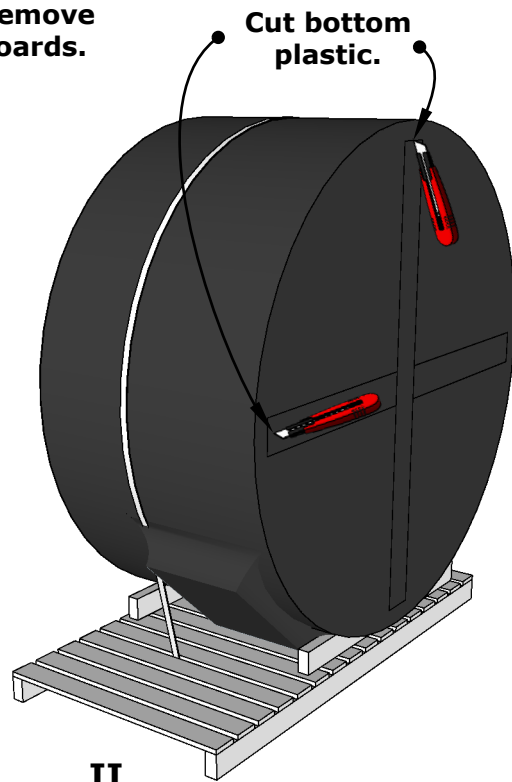
I



Remove boards.

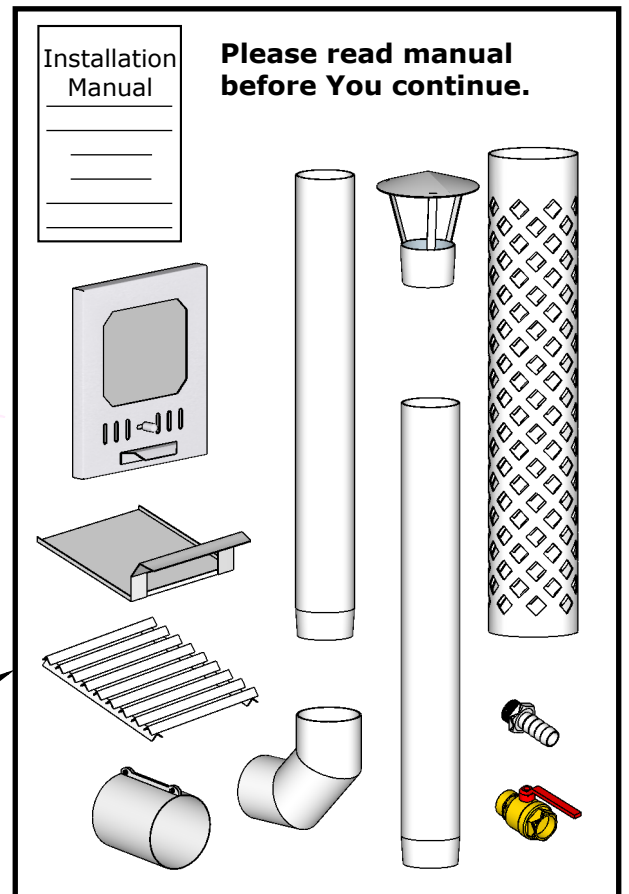
Cut bottom plastic.

II

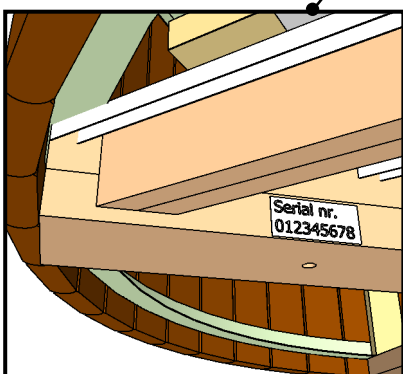
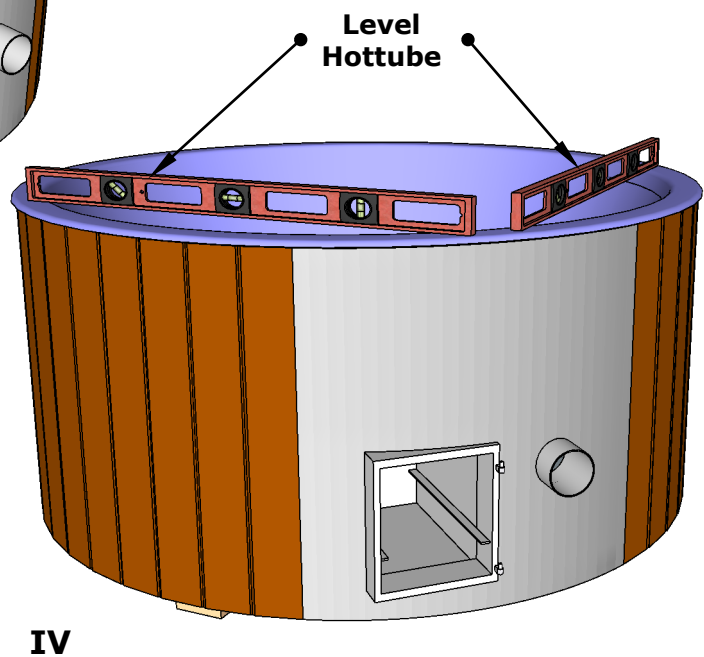
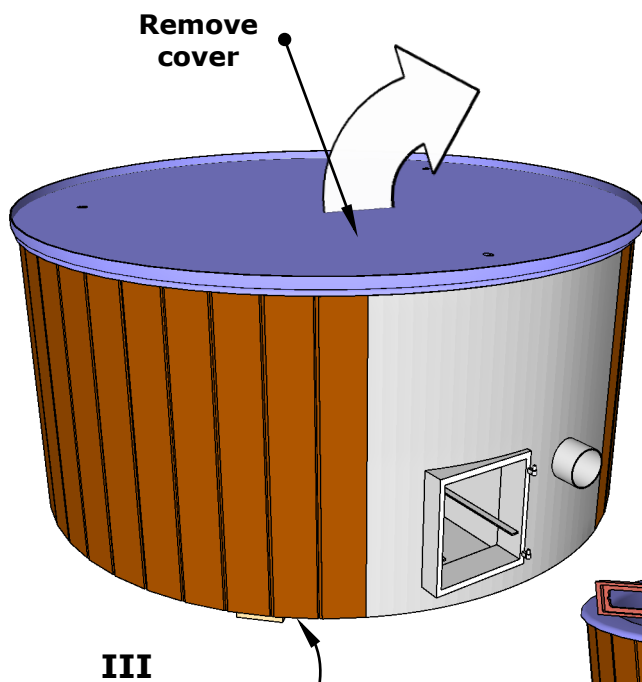
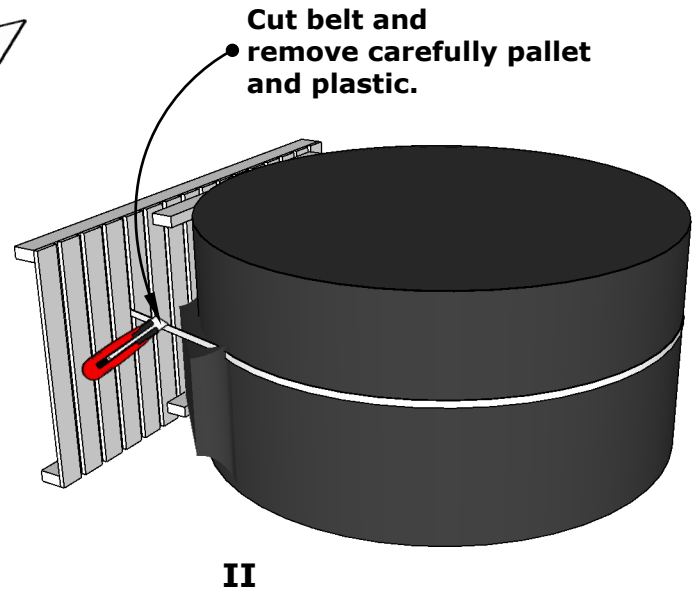
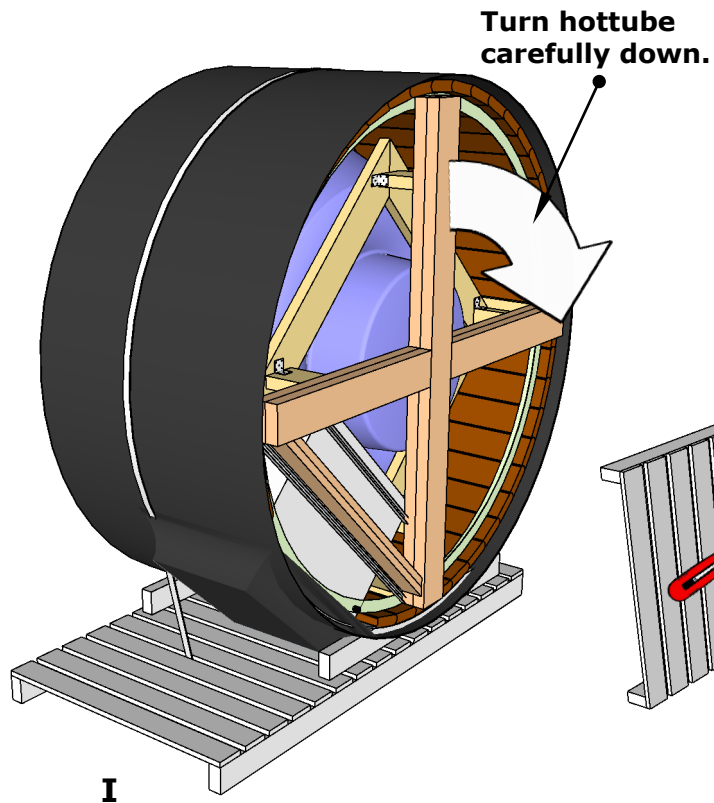


III

Take details out.

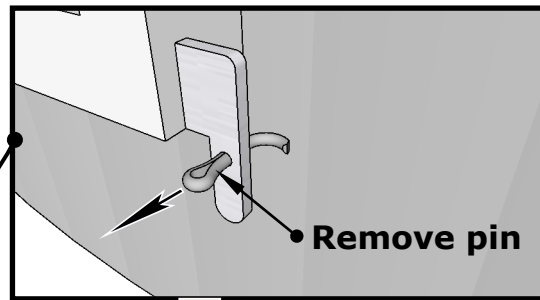
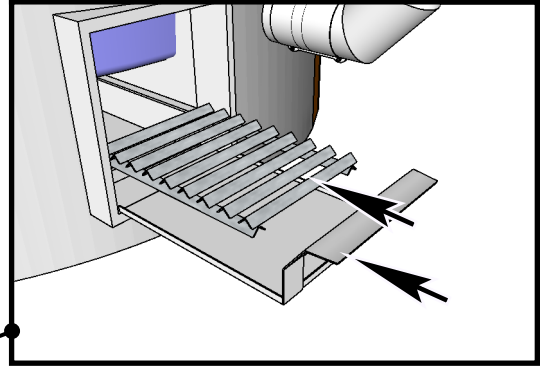
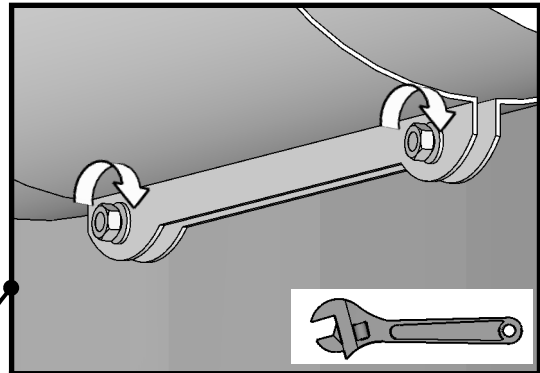
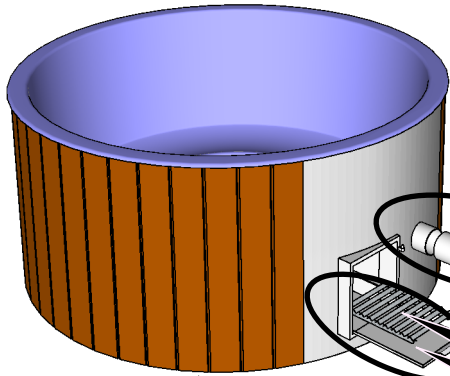


DeLux Hottube installation.

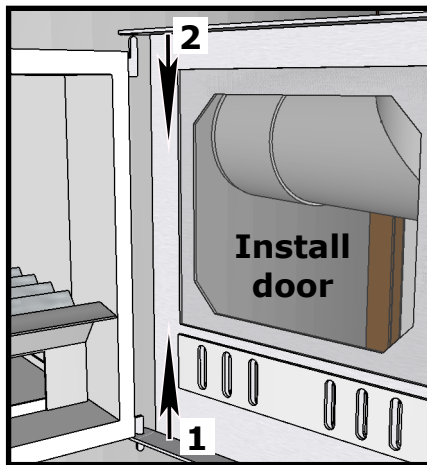
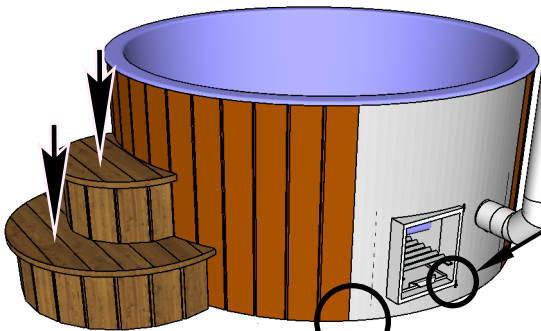


DeLux Hottube installation.

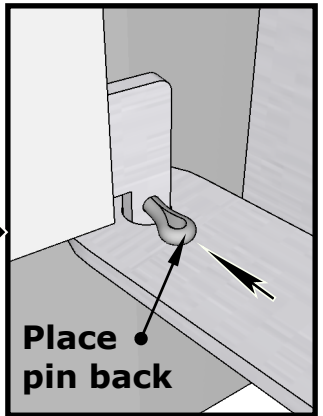
Use waterlevel.



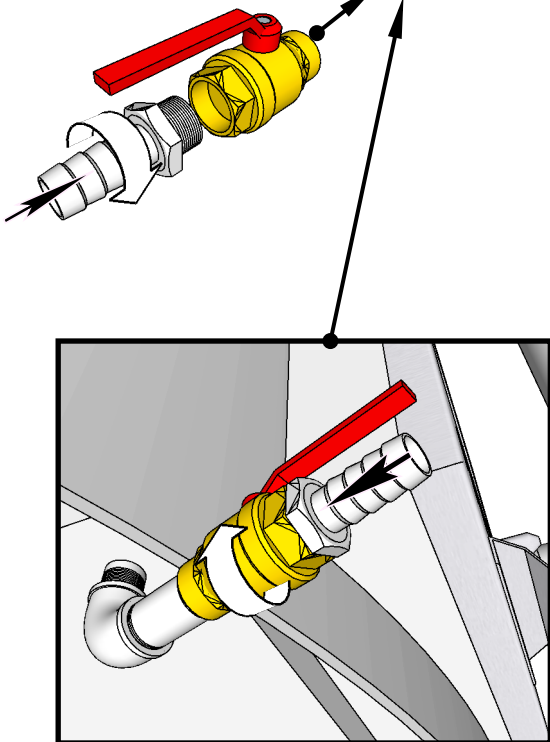
Remove pin



Install door



Place pin back



Waterlevel from top ~150 mm

