

HOLLYWOOD RACKS

ASSEMBLY INSTRUCTIONS for Heavy Duty Parking Stands Models PS12 and PS16

List of Materials:

Qty	Description
1	Bike Grid (either 74" or 99")
2	Floor Brace (either 74" or 99")
2	Side Rails
Poly-bag containing:	
8	Carriage bolts 3/8-16 x 3.25"
8	Self locking nuts 3/8-16
8	Flat Washers
12	Tube Plugs

Tools required: adjustable or 9/16" wrench

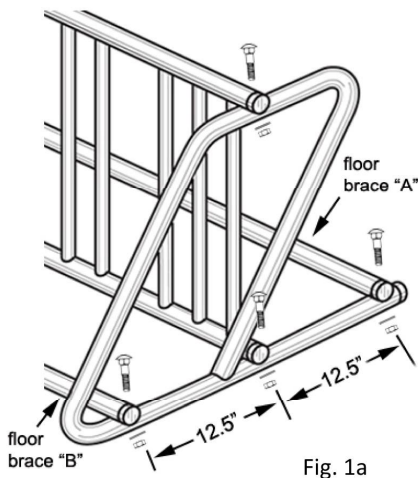
Assembly Procedure:

Check Contents of box prior to assembly

Determine if you are going to set up this parking stand as either a "double sided" or single sided unit, then refer to diagrams and instructions below.

Double sided PS12 parks 12 bikes, single sided PS12 parks 6 bikes
 Double sided PS18 parks 16 bikes, single sided PS16 parks 8 bikes

"Double Sided" parking stand assembly



Step 1: Starting with one side, align the bike grid to the side rail as shown in Fig. 1a. **Be sure to use the correct holes.** Insert bolts as shown, then attach washers and nuts to bolt. Finger-tighten nuts.

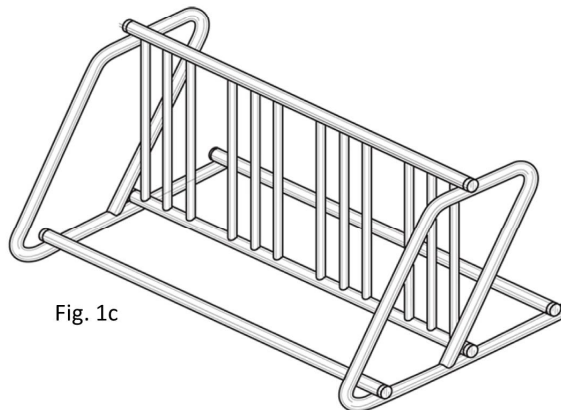
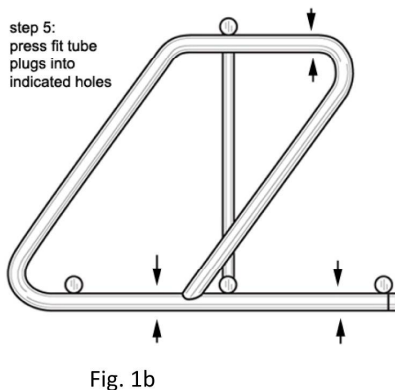
Step 2: Align floor brace "A" to the **rear hole** of the side rail as shown. Insert bolt as shown, then attach washer and nut to bolt. Finger-tighten the nut. Repeat for floor brace "B" using the forward hole of the side rail. Note there are 3 unused holes in the side rail.

Step 3: Attach the other side rail to the other end of the floor braces and bike grid. Insert bolts and attach washers and nuts.

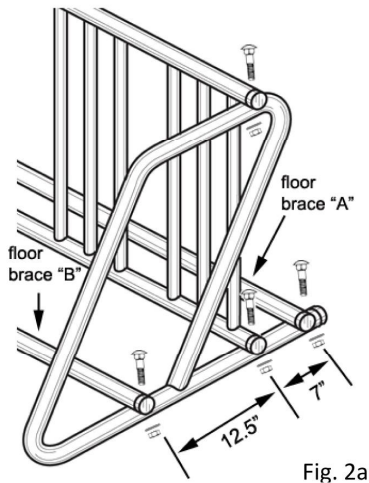
Be sure to use the correct holes!

Step 4: Check that the parking stand is straight, then tighten all nuts securely using the wrench. The assembled parking stand should look like Fig. 1c. (note: model PS8 is shown in Fig. 1c).

Step 5: Insert tube plugs into unused holes as indicated in Fig. 1b.



“Single Sided” parking stand assembly



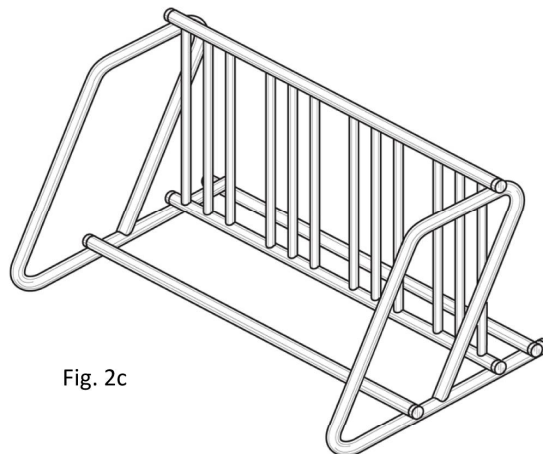
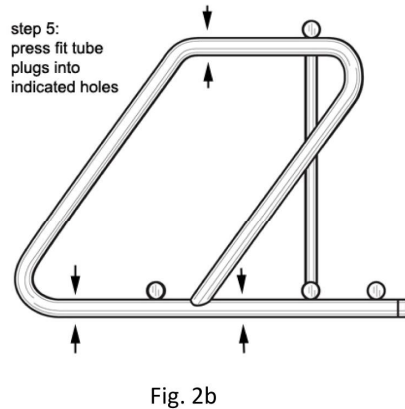
Step 1: Starting with one side, align the bike grid to the side rail as shown in Fig. 2a. **Be sure to use the correct holes.** Insert bolts as shown, then attach washers and nuts to bolt. Finger-tighten nuts.

Step 2: Align floor brace "A" to the **rear hole** of the side rail as shown. Insert bolts as shown, then attach washers and nuts to bolt. Finger-tighten the nuts. Repeat for floor brace "B" using the correct hole. Note there are 3 unused holes in the side rail.

Step 3: Attach the other side rail to the other end of the floor braces and bike grid. Insert bolts and attach washers and nuts. **Be sure to use the correct holes!**

Step 4: Check that the parking stand is straight, then tighten all nuts securely using the wrench. Assembled parking stand should look like Fig. 2c. (note: model PS8 is shown in Fig. 2c).

Step 5: Insert tube plugs into unused holes as indicated in Fig. 2b.



Limited One Year Warranty: This product is warranted for a period of one year against defects in materials and workmanship, effective from the date of purchase to the original purchaser. The manufacturer will repair or replace any defective parts due to materials or workmanship. The manufacturer of this product shall not extend the warranty to 1.) Any failure or malfunction of the product do to any modifications to the product; or 2.) Damages not attributable to a defect in materials or workmanship; or 3.) Damages resulting from improper assembly. **Consequential or Incidental Damages:** The manufacturer shall not be liable for any consequential or incidental damages in connection with the purchase, use or handling of this bike rack. **Purchaser's Rights:** Some states do not allow the exclusion or limitation of consequential or incidental damages and the above limitation may not apply to you. This warranty gives you specific legal rights and you have other rights, which vary from state to state.

Hollywood Racks
12812 S. Spring St. Los Angeles, CA 90061
800-747-4085 or 310-516-8600 www.hollywoodracks.com
Made in Taiwan Pat. Pending 123009