

Hollywood Racks

Trike Adapter Model #1 Assembly and installation instructions

Fits Hollywood Racks Sportrider models "Y" and "Z" series
And Hollywood Trail Rider HR200 (max. weight 40 lbs)

For "X" series Sportriders (2009-2016), please contact us at 800/747-4085 or email: info@hollywoodracks.com

Not to be used on any trailer, fifth wheel or vehicle being towed by another vehicle

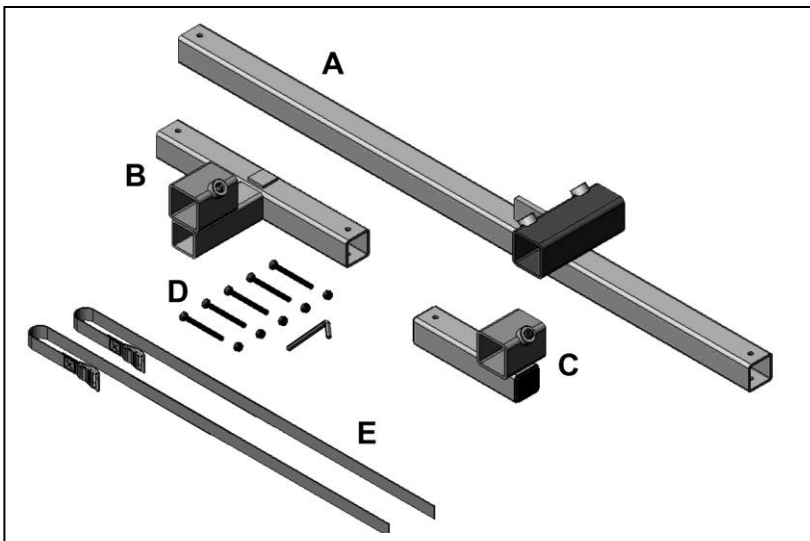
Not to be used with adult trikes or electric recumbent trikes

Weight Limit: 60 lbs

Model HR200 Trail Rider max weight 40 lbs

The trike Adapter 1 will carry one trike.

NOT TO BE USED WITH ADULT TRIKES



Parts List:	Qty
A Long Connector	1
B Universal Connector	1
C Short Connector	1
D Hardware and hex key	
E Tie down strap	2



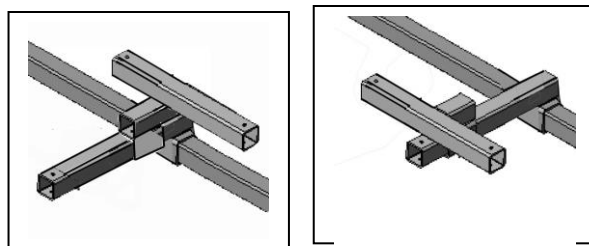
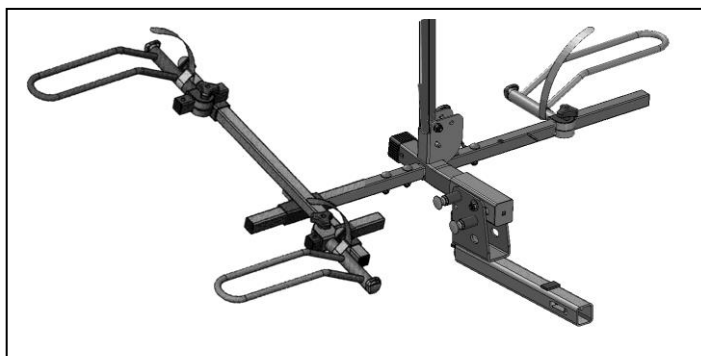
Installation procedure for delta style trikes

The small wheel adapters must be used on 16" wheels. Please determine the model number of your Sportrider. The HR200, HR1000Y, HR1400Y and HR1450Y use standard length wheel holders (max wheelbase 60"). The HR1000R and HR1450R recumbent racks use longer length wheel holders (max wheelbase 72").



Installation procedure:

1. Measure width between center of tires (track) and distance between center of hubs (wheelbase).
2. Install left side wheel holder on driver's side wheel support tube.
3. Slide the long connector **A** along passenger side wheel tube.
4. For standard length wheel holders, install the universal connector **B** onto the end closest to the car.
5. For longer length wheel holders, install the universal connector **B** onto the end furthest from the car.



Optional positions of universal connector

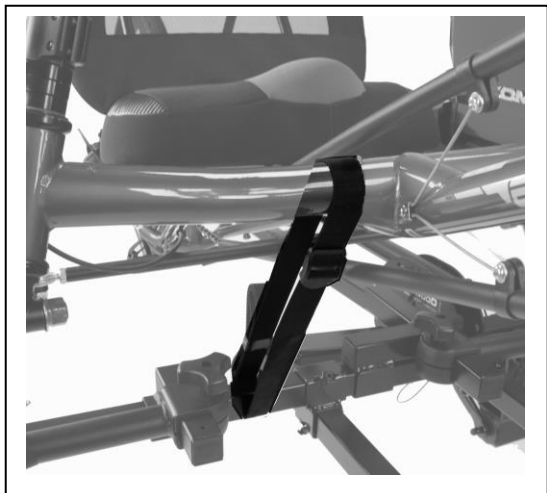
Trike adapter assembled to HR1450-Y
(standard length wheel holders)

6. Slide short connector **C** onto outside end of long connector **A**.
7. Install wheel holders onto universal and short connectors.
8. Place bike directly behind rack (rear wheel on driver's side), then "center" the trike between vehicle's side view mirrors.
9. Using the measurements taken in step 1, adjust the single driver's side wheel holder and long connector for the wheelbase.
10. Adjust the distance between the two passenger side wheel holders (track). You may need to flip the universal connector around to obtain the correct dimension.
11. Snug up all knobs and set screws, then lift the trike onto the rack to check the dimensions. If the trike is centered behind the car and the wheels are correctly seated in the wheel holders, finish tightening up the knobs and set screws. Install the screws into the ends of the connector tubes.
12. Install the Sportrider frame hook onto the center mast per the Sportrider general instructions. Use the correct length version, depending on your trike. Push the hook firmly down onto the frame.
13. Attach the wheel straps and optional extra tie down straps.

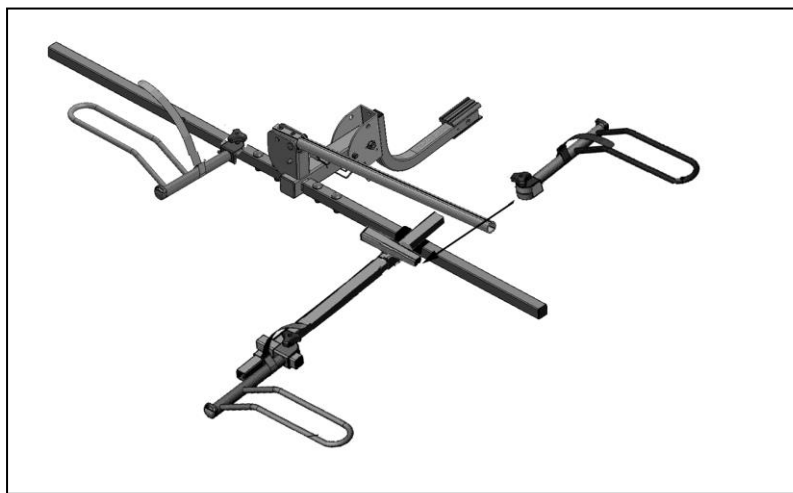
Installation procedure for most tadpole style trikes

Follow the same procedure as above for Delta style trikes, except the center mast will have to be either folded down to the side (models HR1400, HR1450, HR1450R) or removed (models HR1000 and HR1000R). This is due to the interference of the tadpole's seat.

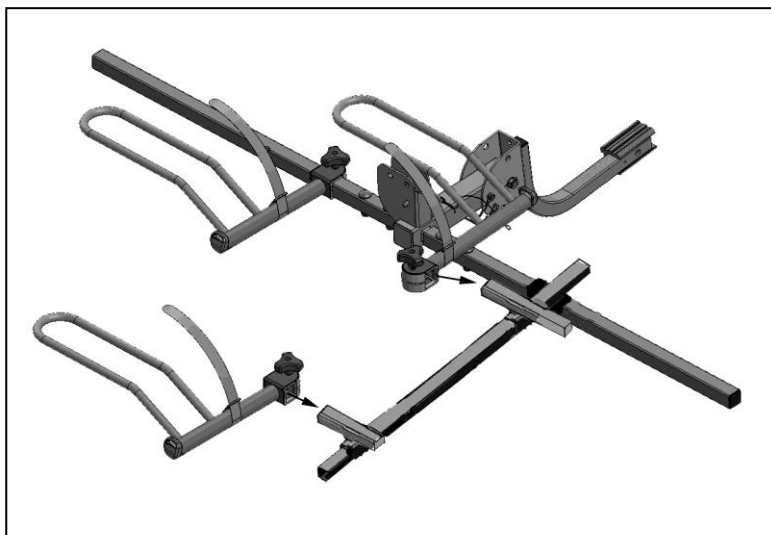
The tie down straps must be used when carrying tadpole style racks.



Tie down strap used to secure trike to rack



HR1000R-Y shown with mast folded down for carrying longer wheelbase tadpole



HR1000R-Y shown with mast removed for carrying tadpole



Hollywood Racks

Limited Lifetime Warranty (effective January 1, 2008):

Hollywood Racks will warranty its car racks and accessories during the time that an original retail purchaser owns the product subject to the exclusions and limitations of this warranty. Hollywood Racks will remedy defects in materials and workmanship by repairing or replacing (at its option) the complete rack or a defective part without charge for labor or parts. Hollywood Racks may elect (at its option) to issue a refund equal to the purchase price paid for the product.

This warranty does not cover problems caused by normal wear and tear including (but not limited to) weather, scratches, dents, rust, accidents, unlawful vehicle operation, misuse, abuse, neglect, theft, unauthorized modifications, or unauthorized repair. No warranty is given for defects resulting in incorrect assembly, incorrect installation onto the vehicle, installation on a "no fit" vehicle, incorrect attachment of bicycles onto the rack, or overloading of the rack's weight restrictions. This warranty terminates if the original retail purchaser transfers the product to any other person.

If a product is believed to be defective, the original retail purchaser should contact either the original retailer or Hollywood Racks directly at 800-747-4085 or at info@hollywoodracks.com

Disclaimer of Liability: Repair or replacement of a defective product or the issuance of a refund or credit (as determined by Hollywood Racks) is a purchaser's exclusive remedy under this warranty. Damage to a purchaser's vehicle, cargo, bicycles and or to any other person is excluded. This warranty is expressly made in lieu of any and all other express warranties, whether oral or written.

Hollywood Racks shall not be liable for any direct, indirect, consequential, incidental, special, punitive or any other damages in connection with the purchase, use or handling of this product. Some states do not allow the exclusion or limitation of consequential or incidental damages and the above limitation may not apply to you. This warranty gives you specific legal rights and you have other rights, which vary from state to state.

Hollywood Racks
12812 S. Spring St. Los Angeles, CA 90061
Tel (310) 516-8600 (800) 747-4085 FAX (310)516-8955
www.hollywoodracks.com email: info@hollywoodracks.com
Customer Service Hours: M-F 8:00AM to 3:00 PM PST

V2.2 061218 Made in Taiwan