

Installation instructions for Hollywood SR1 Spare Tire Bike Rack

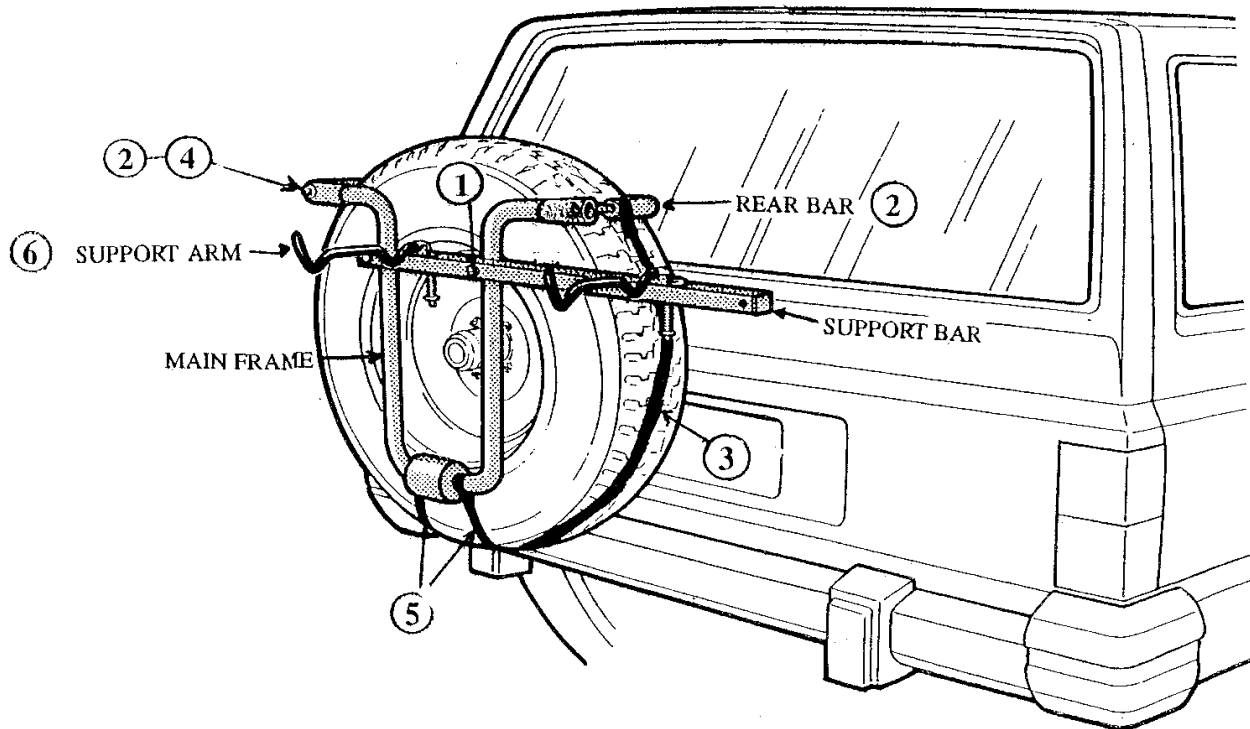
When using the Hollywood SR1 Spare tire rack, always remember the following points:

- Never place more than two bikes or 75 lbs (35 kg) on the rack.
- Never attach the support strap hook to plastic, glass or fiberglass.
- Keep bicycle tires at least 1 foot (30 cm) away from exhaust pipe.
- Tighten all straps before and after mounting bikes on rack.
- Check the rack, bicycle(s) and strap tightness regularly during use.
- Drive SLOWLY when used on bumpy or dirt roads.

CAUTION: Be sure that the spare tire is properly mounted to vehicle and that mounting bracket / apparatus is suitable and strong enough to support the entire weight of the spare tire, rack and bicycle(s). Always use the support strap to ensure that the load is properly supported. Contact the vehicle manufacturer if there are any questions regarding the strength of the tire mounting apparatus.

Tools needed: 9/16" socket or open end wrench, or an adjustable wrench.

The Hollywood SR1 Spare Tire Rack comes fully preassembled from the factory. Remove the two bike tie downs, which are tied around the main frame and the rear bar. The rack should include two buckles looped around the main frame, one buckle and one 90-inch strap, and two 70-inch straps looped around the rear bar. In addition, there should be a combination strap/buckle/hook looped around the support arm bar. If these items are not on your rack, please contact your dealer or our factory (see phone number on other side).



Hollywood Spare Tire Rack mounted to vehicle with spare tire mounted on driver's side.

1. If the spare tire on your vehicle is mounted on the side, please continue with the following instructions. If your spare tire is center mounted, go to instruction step 2. See FIG. 1

If your vehicle has a side mounted tire, you will need either a 9/16" socket, open or adjustable wrench and the 9/32" hex wrench (attached to the rack).

Remove the protective tape from the front of the bolts. Loosen and remove bolts and nuts. Adjust support bar to either the left or right position depending on your vehicle. Reinsert bolts through the main the main frame and support bar and tighten nuts SECURELY. Replace the protective tape.

2. Place the rear bar around the spare tire (loosen bolts for wide tires). See 2
3. Place buckle on the rear bar on the side of tire. Place the longest strap (90") on the other side of tire. Thread strap through buckle and tighten. See 3
4. Use a 9/16" or adjustable wrench to tighten the outside bolts until the rack is snug on the tire. See 4
5. Thread the two rear straps (70") through the buckles on the bottom of the main frame. Tighten securely. See 5
6. Push up on the spring loaded support arms. Rotate arms outward. Arms should drop into slot in a locked position when carrying bikes, and remain in a folded position when not in use. See 6
7. If driving off road, please drive slowly! This product was not intended for hard off road use.
8. With support arms rotated outward in the locked position, mount the first bicycle with the handlebars on the passenger's side of the car. Rotate the bike's crank arm so the pedal will not be in contact with the car's body. Be sure that the wheels are at least 15" away from the car's exhaust pipe, and that the wheels can clear a steep driveway. Secure with tie down straps. Secure the second bike with handlebars on the driver's side, using the same procedure. Secure with additional tie down straps or shock cords (not included).

Limited Two Year Warranty : This rack is warranted for a period of two years against defects in material and workmanship, effective from the date of purchase to the original purchaser. The manufacturer will repair or replace any defective parts due to materials or workmanship. The manufacturer of this product shall not extend the warranty to 1) any failure or malfunction of the product do to any of or modifications to the product; or 2) damages not attributable to a defect in materials or workmanship; or 3) Damages resulting from improper installation on vehicle or attachment of bicycles on rack.

Consequential or Incidental Damages: The manufacturer shall not be liable for any consequential or incidental damages in connection with the purchase, use or handling of this bike rack.

Purchaser's Rights: Some states do not allow the exclusion or limitation of consequential or incidental damages, and the above limitation may not apply to you. This warranty gives you specific legal rights, and you have other rights which vary from state to state.

Hollywood Engineering, Inc.
12812 S. Spring St. Los Angeles, CA 90061
(310)516-8600 FAX (310)516-8955