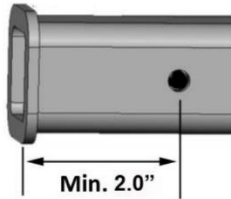


For use on 2" (min. Class III) hitches only*. Do not use a 1 1/4" - 2" hitch adapter. See below for other restrictions.



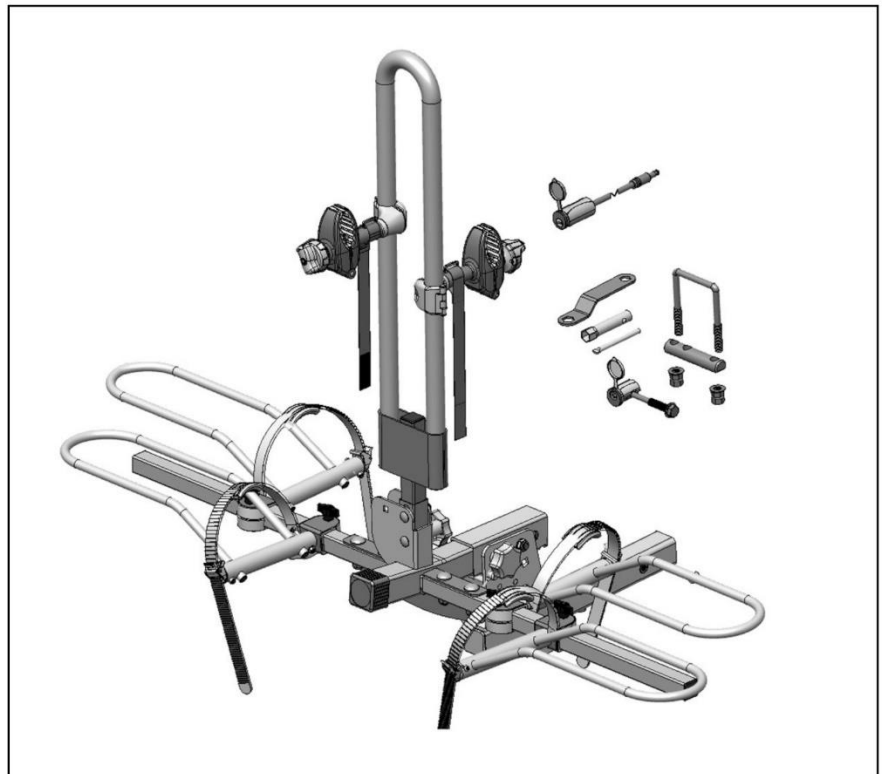
Maximum weight per bicycle is 80 lbs with motor homes & flat towing, 65lbs with travel trailers and 5th wheels. Maximum bicycle wheelbase 60" Fits up to 3" wide tires. For fat tire models, please see page 10. (see page 8 for bike frame fit notes)

Not intended for use with motorized bicycles, mopeds or motorcycles

For further video assembly & installation instructions, please visit hollywoodracks.com

*For 2.5" hitches, use the Hollywood Racks hitch adapter HA-2

Rated for use with motor homes, flat towing, and 5th wheels. **Do not use with travel trailers, toy haulers, pop-up trailers or camping trailers.**



RESTRICTIONS – PLEASE READ BEFORE INSTALLATION

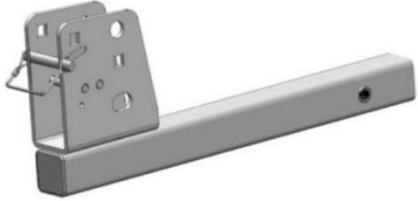
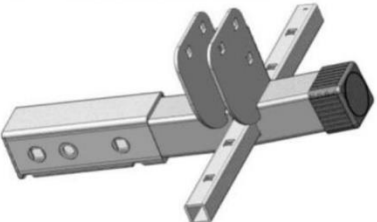

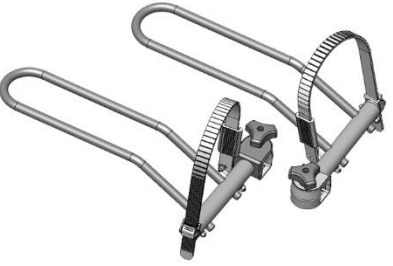


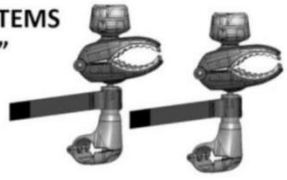
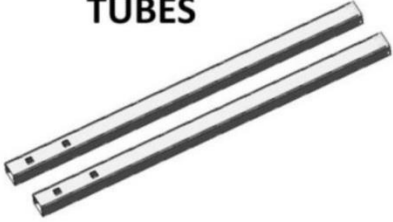

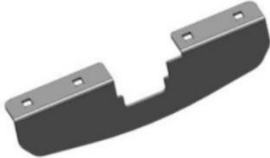









DO NOT USE WITH BUMPER MOUNTED HITCH RECEIVER ADAPTERS!

RATED FOR USE WITH MOTOR HOMES (CLASS A, B, C), FLAT TOWING, AND 5TH WHEELS. **IF FLAT TOWING, YOUR TOWED VEHICLE MUST HAVE A MINIMUM CLASS III RECEIVER HITCH. DO NOT USE A 1 1/4"-2" ADAPTER ON YOUR TOWED VEHICLE.**



5th WHEEL REQUIREMENTS:

1. TRAILER HITCH MUST HAVE A MINIMUM 350 LBS TONGUE WEIGHT CAPACITY
2. 5TH WHEEL MUST BE DOUBLE AXLE AND MIN. 24' IN LENGTH (BOX LENGTH)
3. MINIMUM GVW IS 4500LBS

<p>A - HITCH TUBE</p> 	<p>B - MAIN BEAM</p> 	<p>K - WHEEL SUPPORT TUBE HARDWARE</p> <p>4 EACH 10mm carriage bolts, nuts, and spacers</p> 
<p>C - WHEEL HOLDERS (TWO PAIR LEFT & RIGHT SIDE)</p> 	<p>D - DOUBLE POST</p> 	<p>L - MAIN BEAM HARDWARE</p> <p>2 each: 1/2"-20 bolts, nuts, washers, 1 each: spacer</p> 
<p>E - BIKE FRAME CLAMPS LOCKING, KEYED ALIKE TO ITEMS "I" AND "J"</p> 	<p>G - WHEEL SUPPORT TUBES</p> 	<p>M - MAIN BEAM KNOB AND BOLT 1/2"-20</p> 
<p>F - SUPPORT BRACKET</p> 	<p>I - THREADED LOCKING HITCH PIN</p> 	<p>N - DOUBLE POST HARDWARE</p> <p>1 EACH 10mm carriage bolt, nut, washer</p> 
<p>H - HITCH TIGHTENER</p> 	<p>J - 7' SECURITY CABLE</p> 	<p>O - DOUBLE POST KNOB AND BOLT</p> 
		<p>P- WRENCH, 17mm and 19mm</p> 
		<p>Q - SOCKET WRENCH 17MM</p> 
		<p>R - wheel tube screws</p> 
		<p>S - SAFETY STRAPS QTY 3</p> 

Section 1: Assembly
(adjustable wrench or 3/4" socket wrench and Phillips screwdriver required)

Fig. 1: Install hitch tube (A) into your vehicle's 2" receiver. **Use "TT" hitch tube for 5th wheels. See Fig. 6 below.**

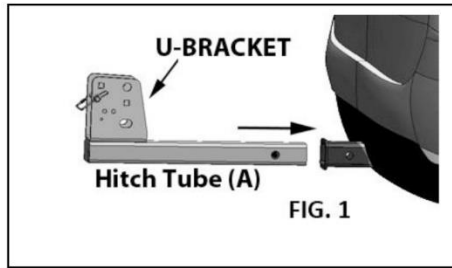


Fig. 2: Install 1/2-13 threaded hitch pin (I) through the hitch tube and receiver. Tighten using the provided wrench (P) or 3/4" socket wrench. Lock washer & flat washer per Fig. 2A.

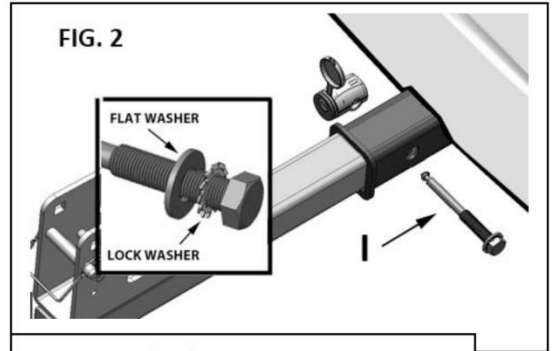


Fig. 3 & 4: Position main beam (B) inside the hitch tube's large U-bracket and align the holes.

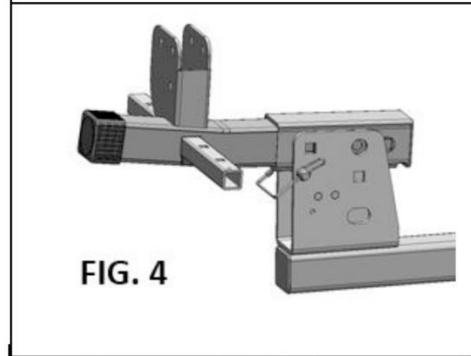
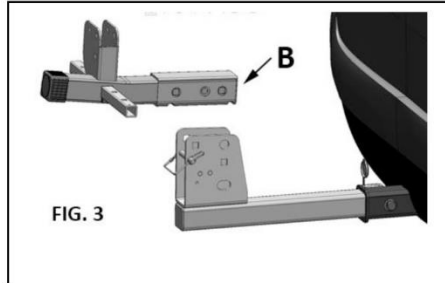


Fig. 5: Slide the flat washer onto pivot bolt (L), then insert the pivot bolt so it passes through both the main beam and U-shaped bracket.

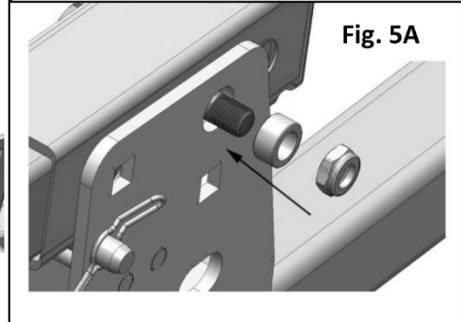
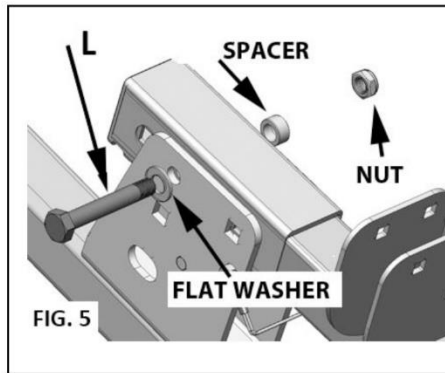


Fig. 6: Slide the spacer onto the bolt, then install the nut onto the bolt. Tighten securely using wrench (P) and an adjustable or 3/4" socket wrench.

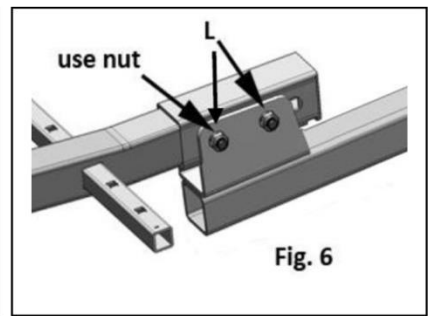
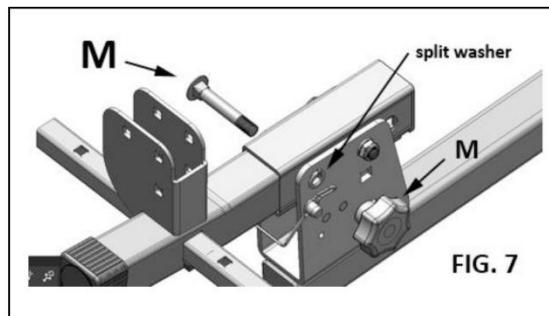


Fig. 7: Insert carriage bolt (M) through the square hole in the U-bracket and pass it through the main beam until it protrudes on the other side of the U bracket.

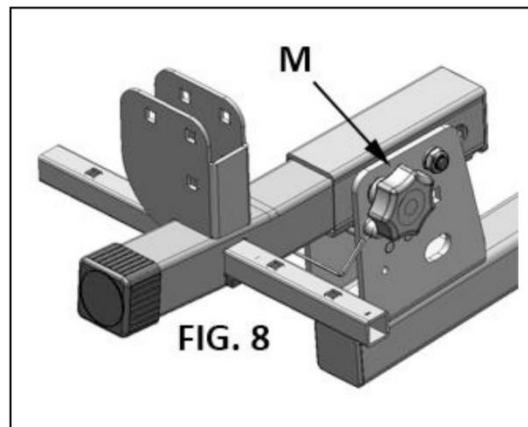


Fig. 8A: Slide the split washer onto the bolt.

Fig. 8: Install the knob for bolt (M). Tighten securely.

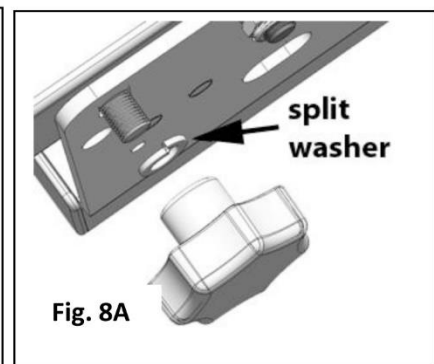


Fig. 9: Position double post (D) in the bracket of the main beam (B).

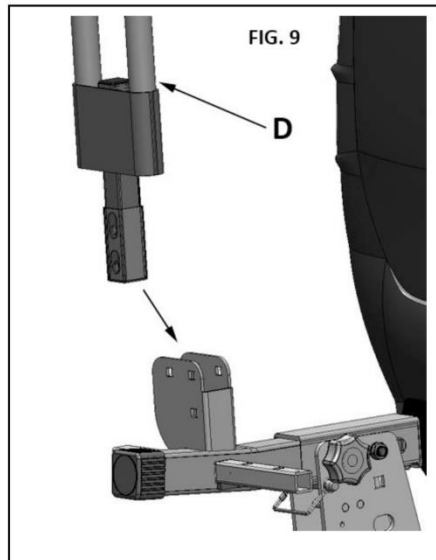


Fig. 10: Insert carriage bolt (N) in the upper hole, then install flat washer and nut onto the bolt. Use wrench to tighten the nut.

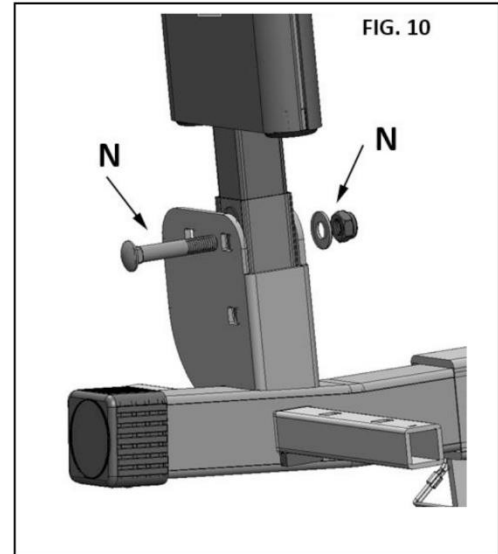


Fig. 11: Insert carriage bolt (O) through the lower hole, then install split washer and knob onto the bolt. Tighten knob securely.

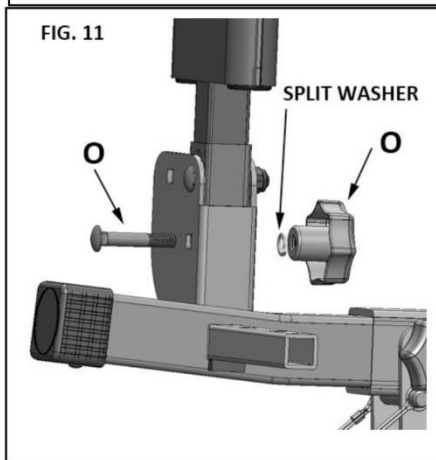


Fig. 12: Slide wheel tubes (G) onto posts of main beam. Square holes of wheel tubes (G) are on top, large round holes on the bottom side.

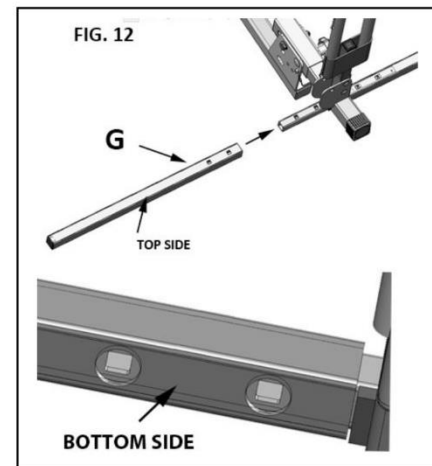


Fig. 13: Position support bracket (F) onto wheel tubes. Align the square holes per Fig. 14

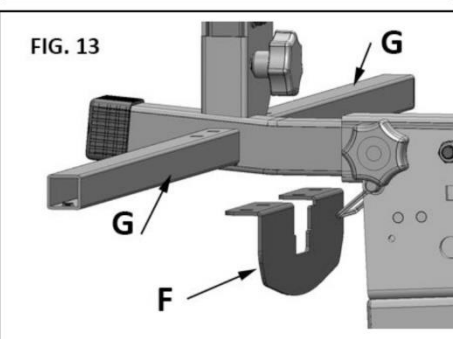


Fig. 15: Insert carriage bolts (K) from the top through the support brace and wheel tubes. Ends of bolts should now be protruding on the lower side of the wheel tubes. Slide the spacers up and onto the end of the bolt. Install and "finger tighten" the nuts.

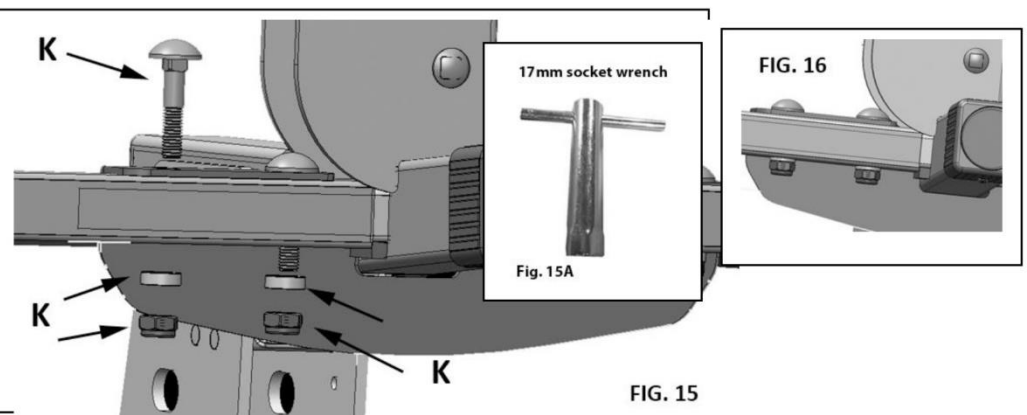
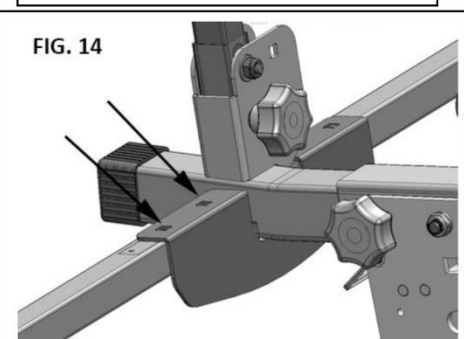


Fig. 16: Use socket wrench (Q) to tighten the nuts securely.

Fig. 17: Loosen the knobs on the wheel holders and slide them onto the wheel tubes per Fig. 17. They are snug, you may need to tap them on. Install the wheel holder for inside bike passenger side first (1), next the outside bike passenger side (2), then the outside bike's driver side (3), and finally the inside driver side wheel holder (4).



Section 2: Installation of frame clamps

Fig. 18: Identify the frame clamps, they are both the same.

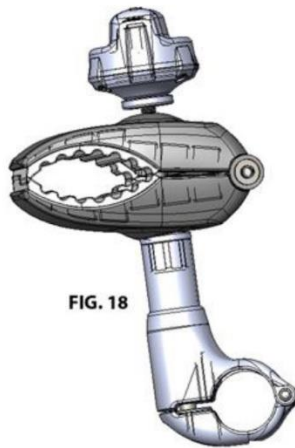


Fig. 19: Unscrew the knob and remove the long carriage bolt. Careful not to misplace the washer/spacer that goes between the clamp and the knob.

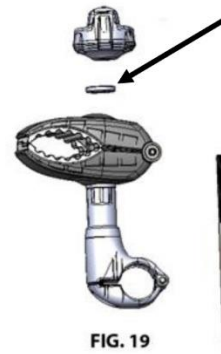


FIG. 19

Fig. 20: Rotate the lower portion open.



FIG. 20

Fig.21 and 22: Re-install the frame clamp as shown.



Fig. 21

Fig. 23: Note position of the "L" shaped clamp on the tube is outside of the double post.

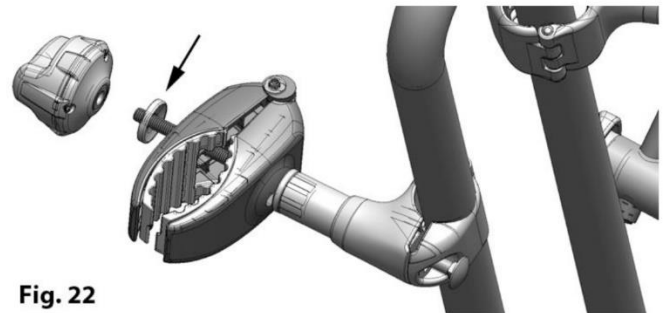


Fig. 22

NOTE POSITION OF "L" SHAPE CLAMPS ARE OUTSIDE OF TUBES

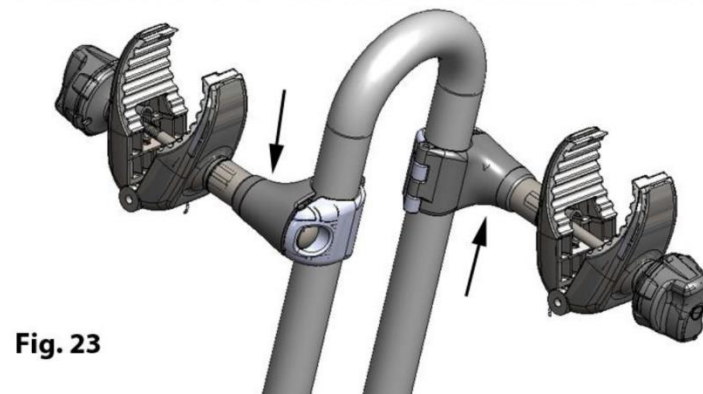
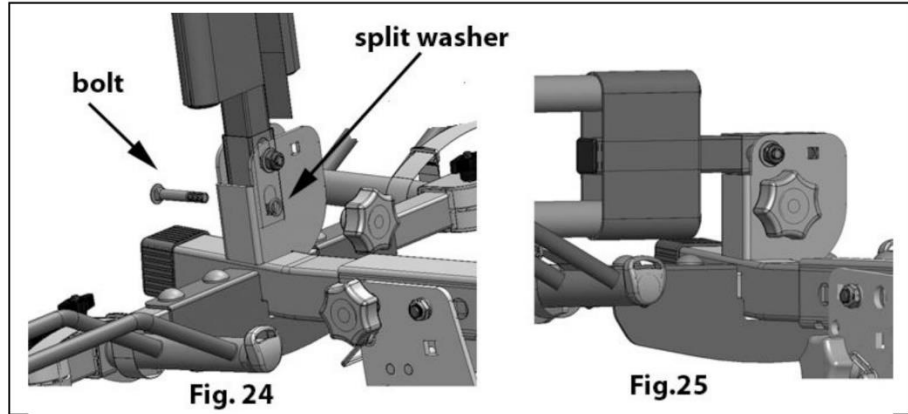


Fig. 23

Section 3: Folding the double post down (Folding function not available with hitch tube TT)

Fig. 24: Loosen knob and remove bolt (O). Be careful not to misplace split washer.

Fig. 25: Rotate double post 90 degrees, then re-install carriage bolt, split washer and knob.



Section 4: Folding the rack flat against back of vehicle (note double post must be folded down)

Fig. 26 and 27: Unscrew the knob for bolt (M). Rotate main beam 90 degrees up. Be careful not to misplace the split washer. Reinsert the bolt in hole indicated, slide the split washer onto bolt and install knob. Tighten securely.

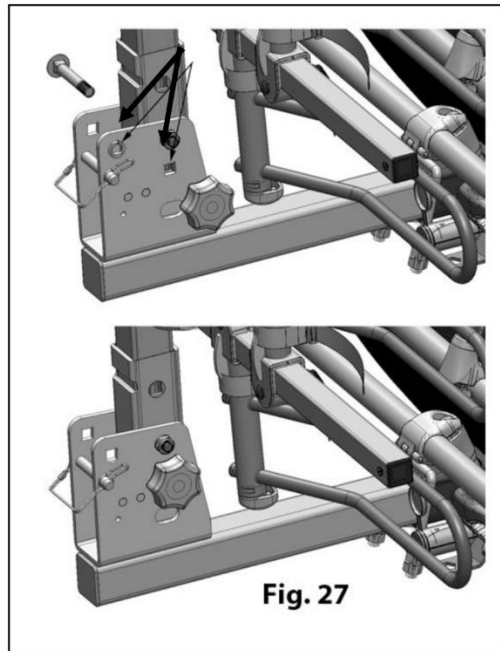
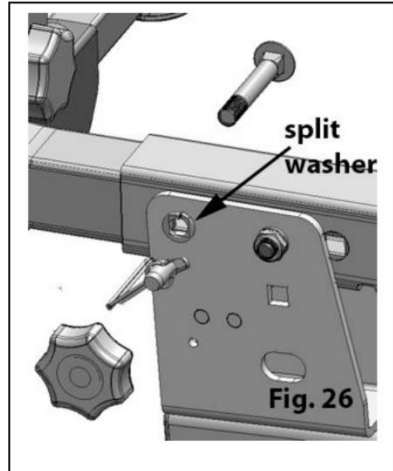
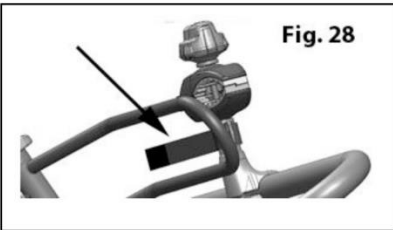


Fig. 27A: When folded flat behind vehicle, rack will be at a slight angle.

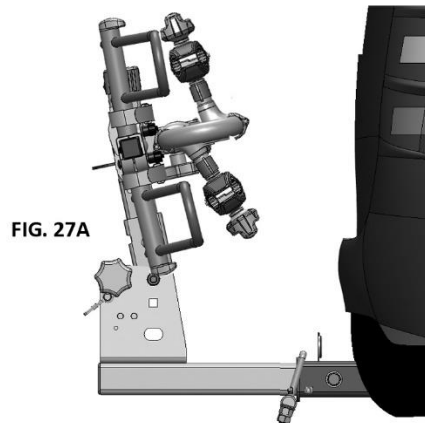
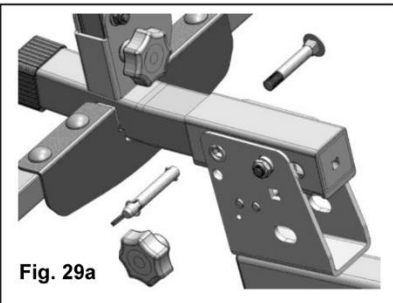
Fig. 28: Use the attached Velcro strap to attach the frame clamp to the wheel holder when the rack is folded against the vehicle.



Section 5: Tilting rack down (tilt down function not available with hitch tube TT)

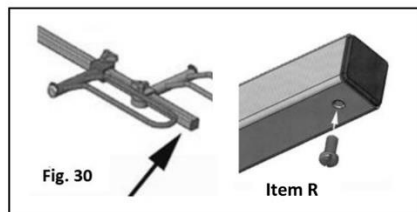
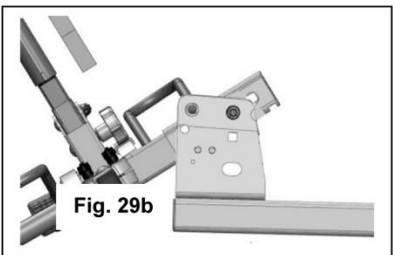
Fig. 29a: Remove pin with clip, knob and carriage bolt

Fig. 29b: Gently tilt rack down.



Section 6: Installing the wheel tube stop screws:

After determining the final position of the wheel holders, install the two stop screws (item R) into the bottom of the wheel tubes. Use Phillips screwdriver. (Note: This step should be done after you have installed your bikes and do not need to remove the wheel holders)



Section 7: Install hitch tightener (note: hitch tightener is used to reduce the rack's vertical wobble)

Tools Required: Adjustable wrench or 7/8" wrench

Contents:

U-Bolt for 2" hitches (qty = one)

U-Bolt for 1 1/2" hitches (qty = one)

Clamp Bar (qty = one)

Split Washers (qty = two)

Flat Washers (qty = two)

1/2-13 Hex Nuts (qty = four)

Note: This product requires a flange on your hitch

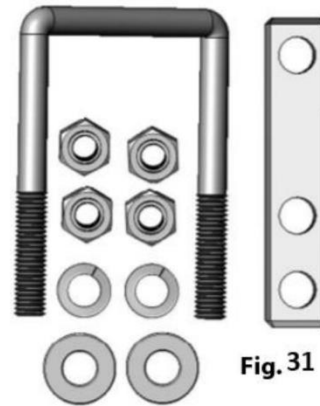


Fig. 31

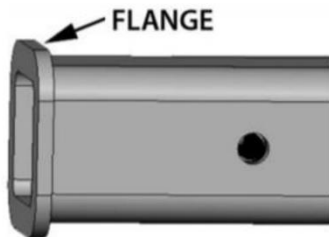


Fig. 32

1. Check the package contents per Fig. 31
2. Per Fig 32 please note that this product requires that your hitch has a flange.



Fig. 33

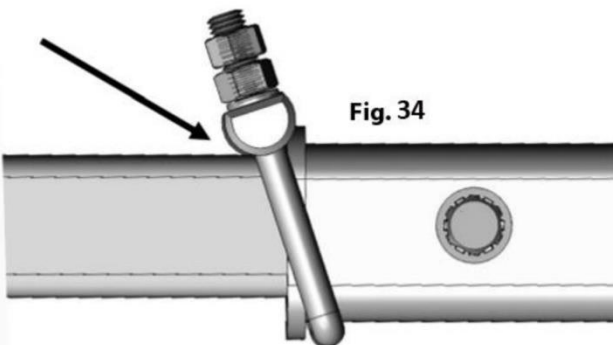
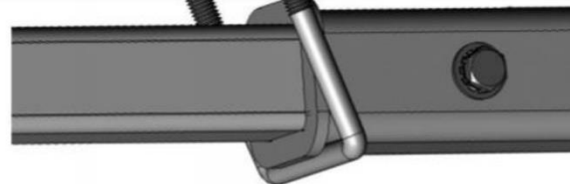


Fig. 34

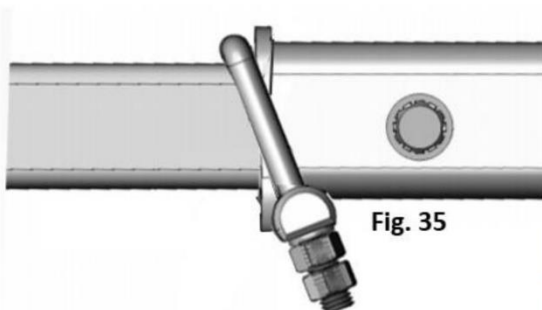


Fig. 35

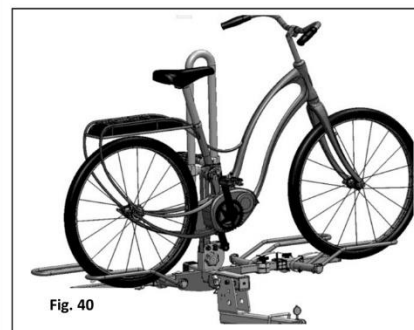
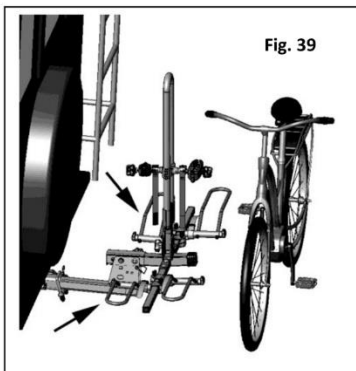
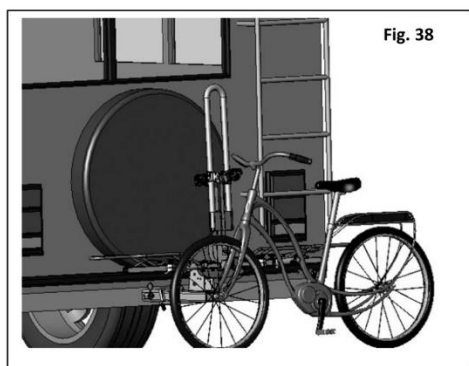
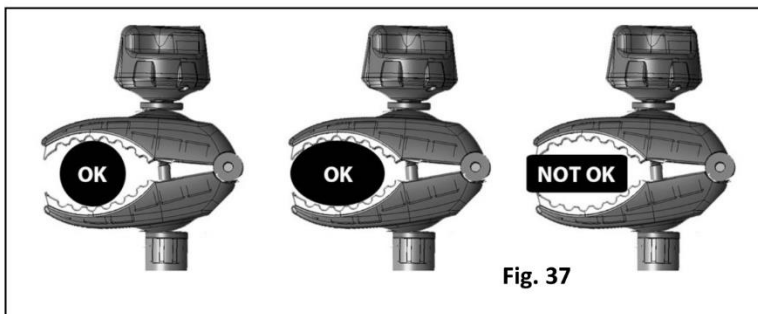
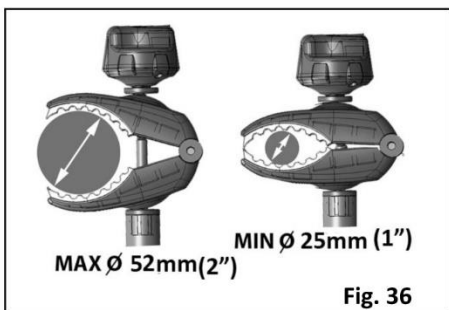
3. Place the U-bolt below the receiver hitch and behind the flange per Fig.
4. Slide the clamp bar onto the legs of the U-bolt. Rounded surface of the clamp bar must in contact with the flange and accessory tube per Fig.
5. Install the flat washers and thread a nut onto both legs of the U-bolt. Tighten the nuts securely so there is equal pressure on the clamp bar.
6. Install the split washers and thread the second set of nuts onto the legs of the U-bolt. Tighten securely, max. torque 25 ft-lbs.

Note: The hitch tightener can be installed with the clamp bar below the hitch and in front of the flange per Fig. 35



Section 8: Bike installation – Check your bike frame or seat post to be sure the frame clamps will fit.

If your bike frame is CARBON FIBER, be sure to clamp to the seat post.



Check Figs. 43-50 Prior to bike installation for tips on how your particular frame style will fit best.

Per your E bike's instructions and recommendations, remove battery. Images depicted in Figs. 43-53 shows battery for reference purposes only.

Whenever possible, try to keep the bike centered on the rack due to uneven weight distributions on some non-mid drive E bikes.

For the second bike, it may be necessary to lower or raise the seat post due to possible handlebar to seat interference.

Position the first or inside bike in front of the rack, so that the bike frame or seat post can be securely attached by the clamp. Adjust the position of the wheel holders so they align with the bike's wheels.

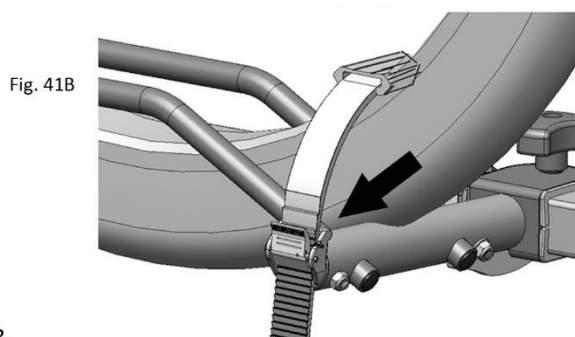
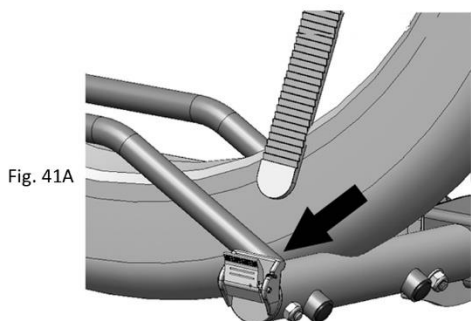
Place the bike onto the wheel holders and make final adjustments as required. Tighten knobs securely.

Tighten the ratchet straps around the bike's wheels.

To use ratchet straps: After the bike's wheels have been placed into the wheel holders, insert the strap into the buckle and pull tight. Do not overtighten. Repeat for second wheel.

To release: Push in the spring loaded tab and pull the strap out of the buckle.

Note: Straps should be inserted into the buckle when rack is not in use.



Attach the frame clamp per Fig. 42.

Unscrew (but do not remove) the knob to open the jaws of the clamp. Place around the frame or seat post, then tighten knob securely. Frame clamps are lockable, and keyed to the hitch pin and security cable. Always lock the clamp after bike installation. Repeat for the second or outer bike. **Use the included Tie-down strap between bikes and double post to reduce any extra bike motion. See Fig. 54 and 55**

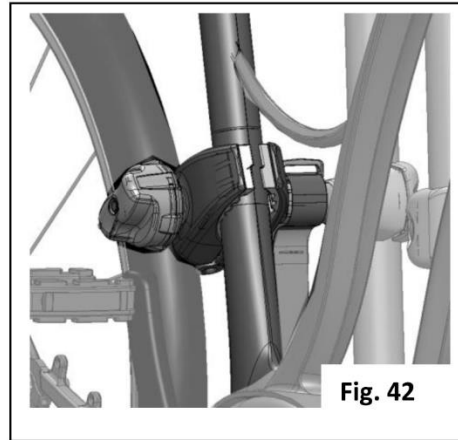


Fig. 42

Section 9: bike frame tips: Check Figs. 36 and 37 to be sure your bike frame and/or seat post will fit in the frame clamp. If it does not properly fit, you can use a bike adapter (Hollywood model BA-PRO) per fig. 51 and 52.

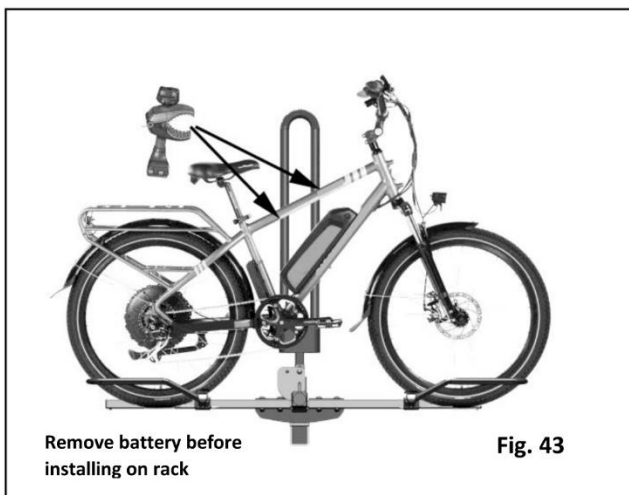


Fig. 43

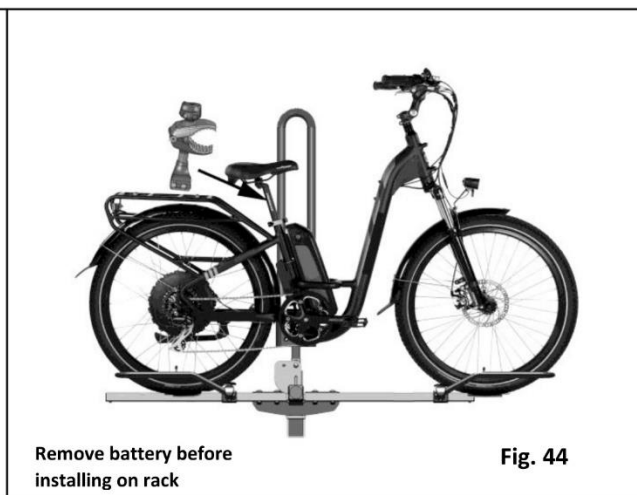


Fig. 44

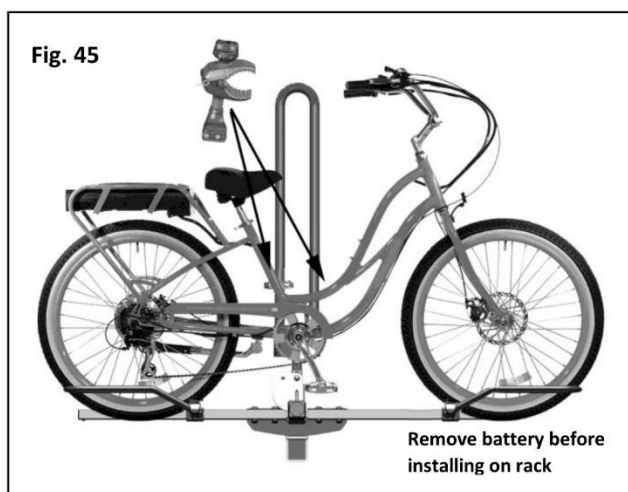


Fig. 45

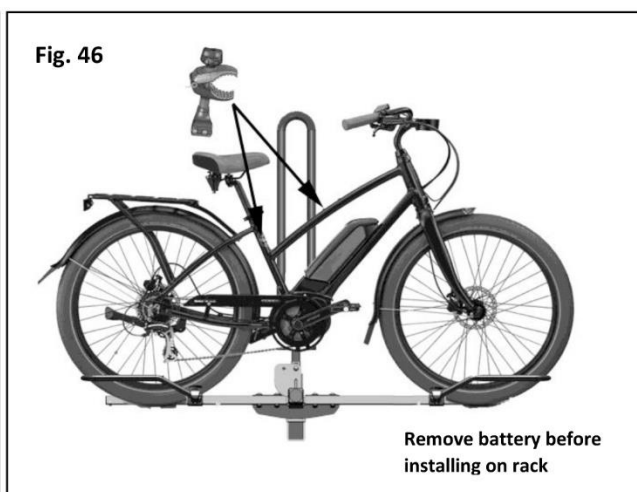


Fig. 46

Tip: The frame clamp can be installed at the seat post for most step thru bikes (Fig 44), but a bike adapter can also be used depending on the bike's frame geometry and tube shape (Fig. 53 and 54).

Remove battery before installing on rack

Fig. 47



Remove battery before installing on rack

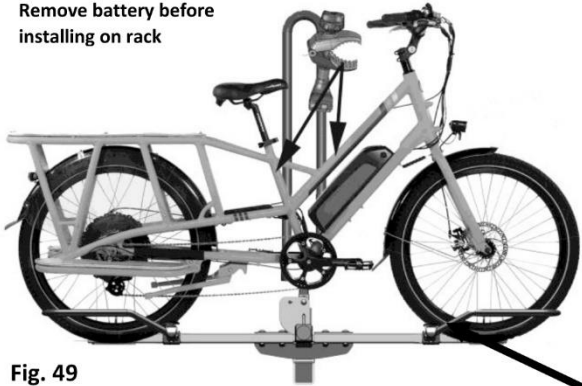


Fig. 49

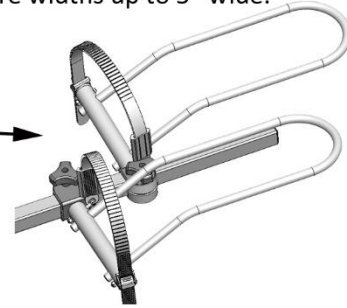


Fig. 51



Fig. 52

Standard wheel holders handle up to 3" wide tires. If you have fat tires, such as the bike shown in Fig. 47, please contact us or your dealer to get the fat tire wheel holders, which can accommodate tire widths up to 5" wide.



FAT TIRE MODELS:

HR1620 – BOTH BIKES FAT TIRE

HR1630 – ONE BIKE FAT TIRE, ONE BIKE STANDARD WIDTH

If you are carrying cargo bikes or electric recumbents (Fig. 49), please contact us to get the cargo bike wheel holder kit (Fig. 50), which features wider wheel holders and frame clamp.



Fig. 50

If you have a carbon fiber bike (Fig. 51), only attach the clamp to a round steel or aluminum seat post. Do not attach the frame clamps to the frame or any other shaped seat post but round.

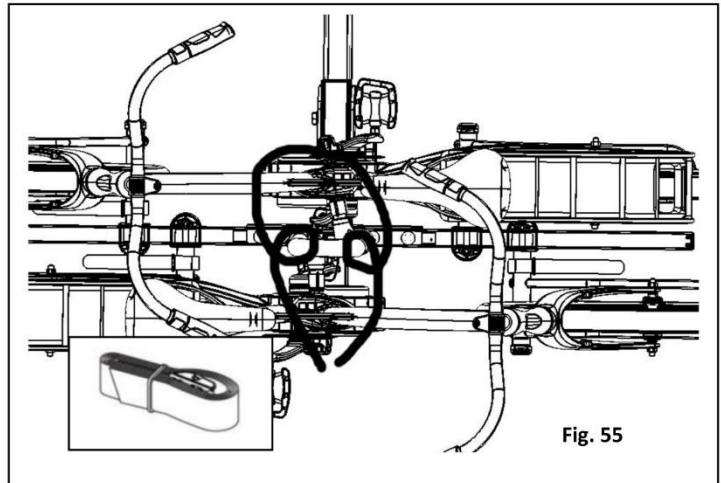
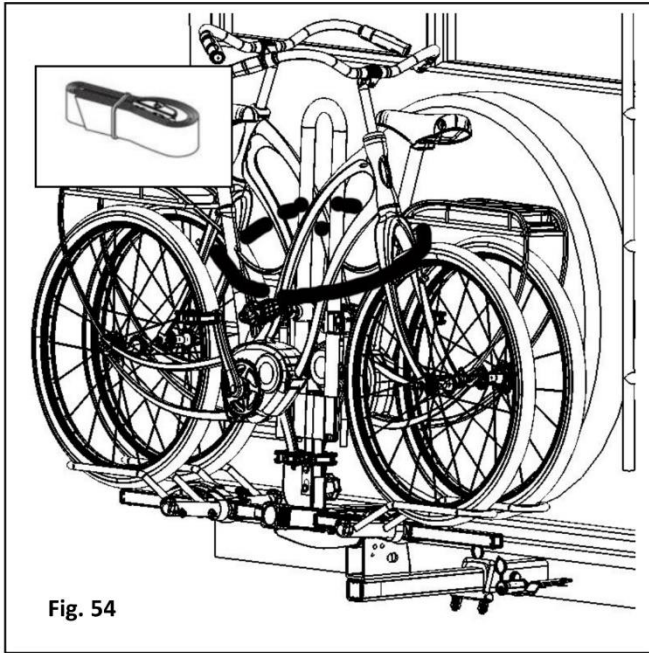
Use pad here if bike adapter is in contact with the frame



Fig. 53

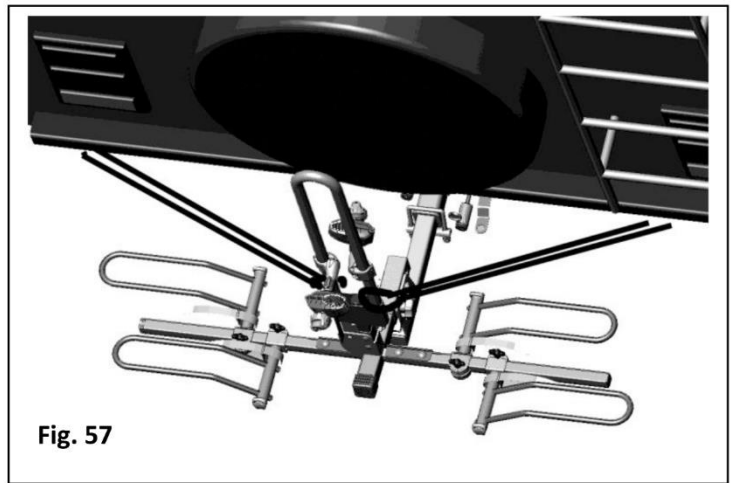
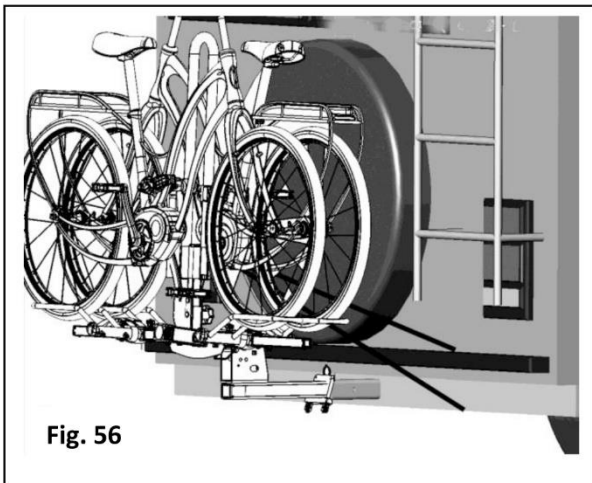
Fig. 53 and 54: The Hollywood bike adapter BA-Pro can be used with the frame clamp.

Section 9: Using safety straps to tie bikes to the double post and rack to vehicle (Fig. 54 through 57).



There are three safety straps (one short, two long) included with the rack. Use the short strap to secure the bikes (Fig. 54 & 55). Thread strap end through outer bike frame and around one of the double post's tubes, then through inner bike and double post. Feed the end of the strap into the buckle, and tighten securely.

Use the additional (long) safety straps to tie the rack back to the vehicle (Fig. 56 & 57). After the bikes have been secured, attach the long straps to the lower part of the double post, then outboard to attachment points on your vehicle's frame or bumper. Be aware that attaching to a ladder can damage the ladder's ability to properly be fastened to your motorhome.



Section 10: Use the included security cable for additional anti-theft protection. Thread the security cable through the bike frames, wheels and double post. Note: the security cable uses the same key as the locking knobs and hitch pin.



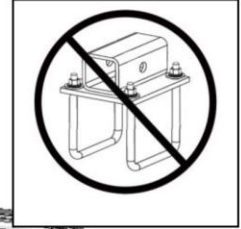
Double check before driving:

- Knobs are tight on wheel holders and clamps
- Velcro straps are securely fastened
- Hitch pin is tight and secure
- Hitch tightener has been installed and is tight
- Drive slowly on bumpy or dirt roads –
- Follow bicycle weight limits per page 1

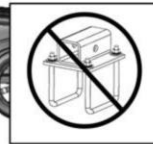
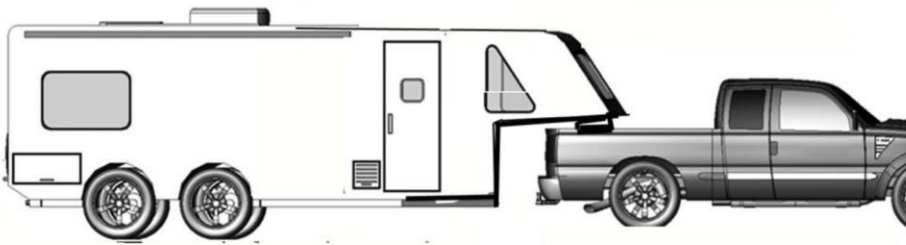


OK

OK



OK



5th wheels must be double axle, min. 5000 lbs GVW
5th wheel must have class 3 or higher hitch, min. tongue weight 350lbs

Limited Lifetime Warranty (effective January 1, 2008):

Hollywood Racks will warrant its car racks and accessories during the time that an original retail purchaser owns the product subject to the exclusions and limitations of this warranty. Hollywood Racks will remedy defects in materials and workmanship by repairing or replacing (at its option) a defective part without charge for labor or parts. Hollywood Racks may elect (at its option) to issue a refund equal to the purchase price paid for the product. This warranty does not cover problems caused by normal wear and tear including (but not limited to) weather, scratches, dents, rust, accidents, unlawful vehicle operation, misuse, abuse, neglect, theft, unauthorized modifications, or unauthorized repair. No warranty is given for defects resulting in incorrect assembly, incorrect installation onto the vehicle, installation on a "no fit" vehicle, incorrect attachment of bicycles onto the rack, or overloading of the rack's weight restrictions. This warranty terminates if the original retail purchaser transfers the product to any other person. If a product is believed to be defective, the original retail purchaser should contact either the original retailer or Hollywood Racks directly at 800-747-4085 or at info@hollywoodracks.com **Disclaimer of Liability:** Repair or replacement of a defective product or the issuance of a refund or credit (as determined by Hollywood Racks) is a purchaser's exclusive remedy under this warranty. Damage to a purchaser's vehicle, cargo, bicycles and or to any other person is excluded. This warranty is expressly made in lieu of any and all other express warranties, whether oral or written. Hollywood Racks shall not be liable for any direct, indirect, consequential, incidental, special, punitive or any other damages in connection with the purchase, use or handling of this product. Some states do not allow the exclusion or limitation of consequential or incidental damages and the above limitation may not apply to you. This warranty gives you specific legal rights and you have other rights, which vary from state to state.

Hollywood Racks

12812 South Spring Street Los Angeles, CA 90061 (800) 747-4085 (310) 516-8600 Fax (310) 516-8955
Customer Service Hours: 8:00 AM- 3:00 PM PST www.hollywoodracks.com info@hollywoodracks.com
Made in Taiwan RV Rider Model HR1600 V3.4 03-20