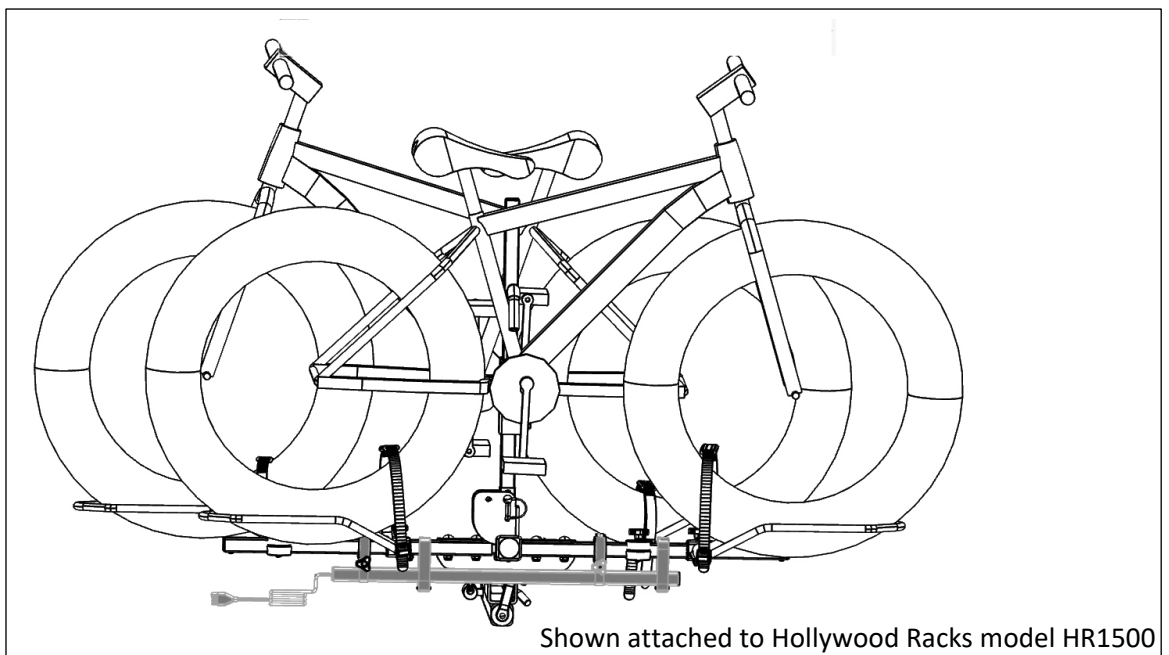
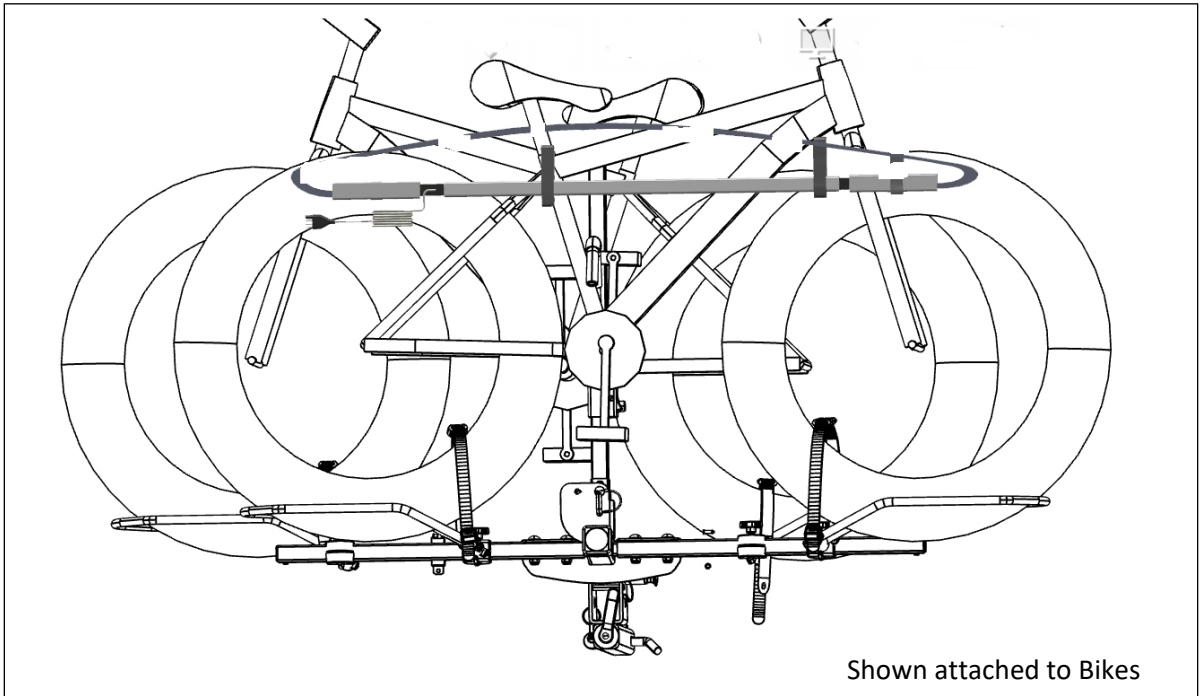
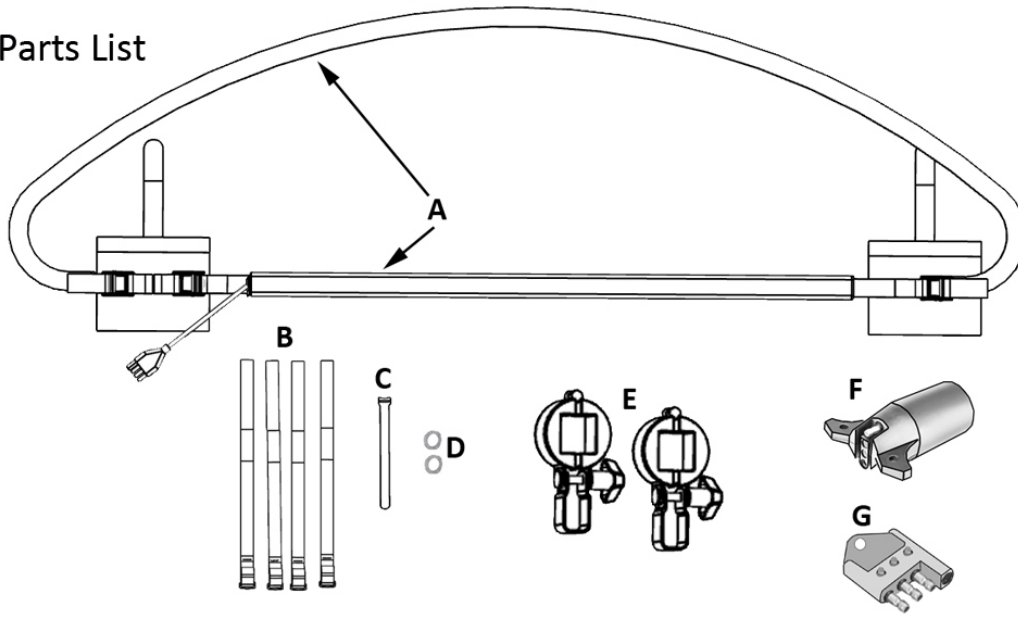


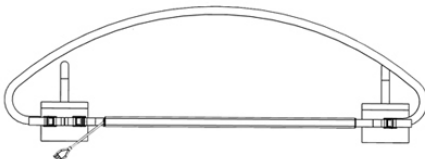
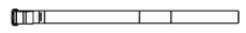
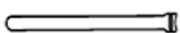


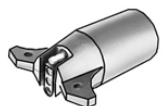

HR | HOLLYWOOD RACKS

LED Light Bar Model LBR-1



Parts List



ID	IMAGE	NAME	QTY
A		LIGHT STRAP ASSEMBLY	1
B		1" x 18" VELCRO STRAP	4
C		CABLE STRAP	1
D		EXTRA LOCK WASHERS FOR CLAMP	2
E		CLAMP	2
F		4 PIN FLAT TO 7 PIN ROUND ADAPTER	1
G		4 PIN FLAT LED TESTER	1

LED Bar Functions:

- Brake lights (high brightness red)
- Running (low brightness red)
- Left turn signal (driver side amber)
- Right turn signal (passenger side amber)
- Emergency flashers (both driver and passenger sides amber)

Note: Reverse/backup lights are NOT included in the light bar, nor can they be added

Technical specs:

Input Voltage: 12VDC +/- 15% Operating temperature: -15 °C to 60 °C (5 °F to 140 °F)

LEDs: 144 Type: SMD2835 Waterproof Rating: IP67

Cable Connector: 4 Pin flat trailer connector

Adapter: 4 pin flat to 7 way round (4 flat blades), type SAE J2863

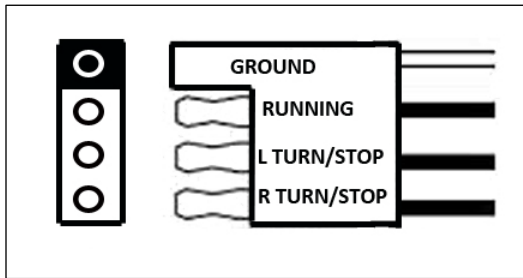
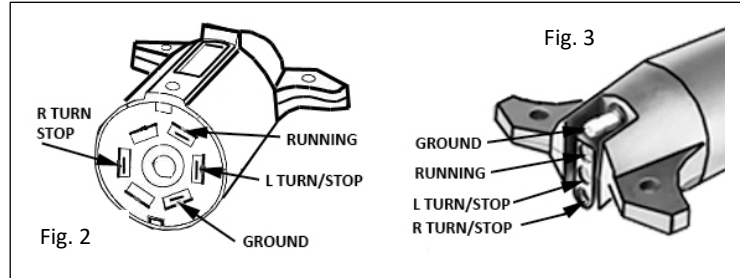


Fig. 1



Adapter, Cable and Connector Warranty & Use Notes:

1. This product may be used with a vehicle side 5 pin flat connector, however there is **no** reverse light function on the LED Bar.
2. Hollywood Racks does not warranty or guarantee functionality of this product with any other type of adapter.
3. Warranty for this product is voided if the electrical cable is cut or spliced.
4. Hollywood Racks is not responsible for the vehicle side electrical wiring and connector, including functionality, condition, possible short circuits, and physical condition.

Vehicles with Trailer Lamp-Out sensors

Some newer vehicles with factory tow packages have Trailer Lamp-Out sensors and will display a warning light on your dashboard. This occurs when the sensor is looking for more electrical current than what the LED Bar is drawing. A work-around to remove the warning light is to use a special 7-way round to 5 pin/4 pin flat adapter. We recommend #20141 from Etrailer.com

Faster than usual flashing turn signals

If your turn signals are flashing faster than usual after installing the LED Bar, you may get a warning light on your dashboard that you have a bulb not functioning. Disconnect the LED Bar and check with your vehicle manufacturer or return the LED Bar.

Installation of the LED Bar

- Check contents of the box per the parts list on page 2.
- Test for vehicle's trailer connector for functionality (use 4 pin flat to 7 way round if necessary)

Remove tester (G) from plastic bag (Fig. 4).

This is a two-person task, someone will need to press on the brakes while the other person observes the LEDs lighting up on the tester. Test all four functions, including running lights (just turn your vehicle's head lights on), brakes, left turn and right turn signals. If these functions are not working on your vehicle's connector, you can try testing again using the connector on the LED Bar. If it is still not working, you will need to get the vehicle's trailer connector checked for a possible loose wire, short circuit, or incorrect wiring.

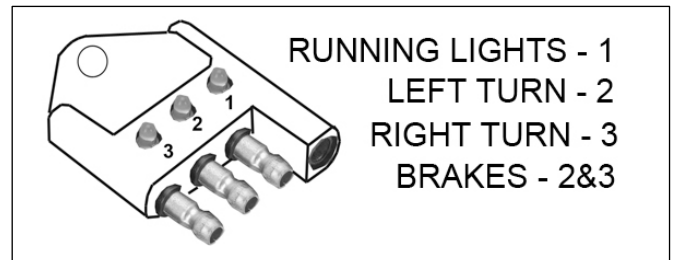
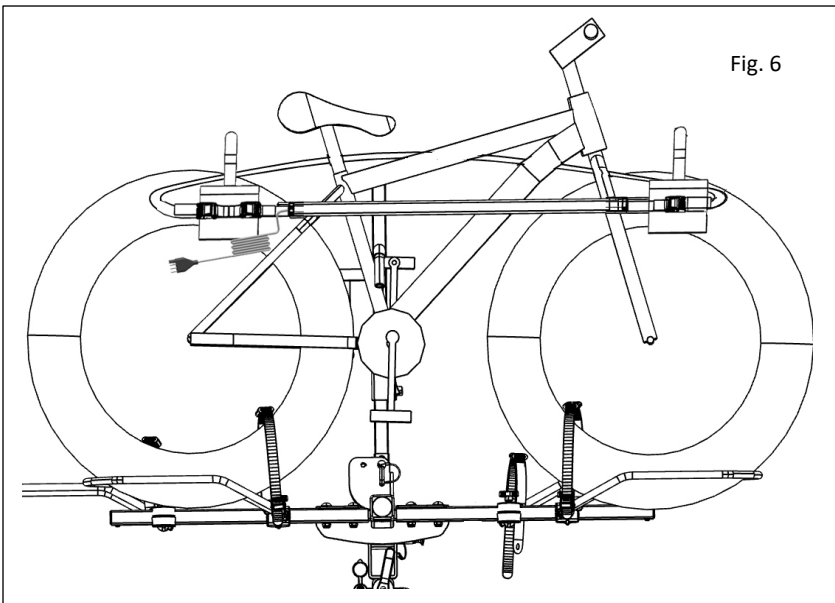
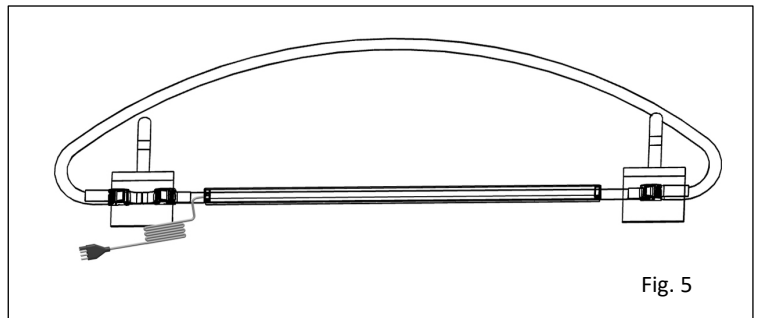


Fig. 4

Installing LED Bar to bike

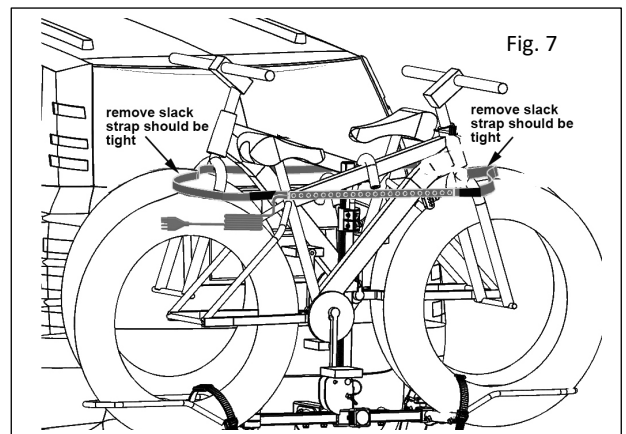
Step 1: Install rack on vehicle and bike(s) on rack

Step 2: Remove Light Bar (A) from plastic bag (Fig. 5)

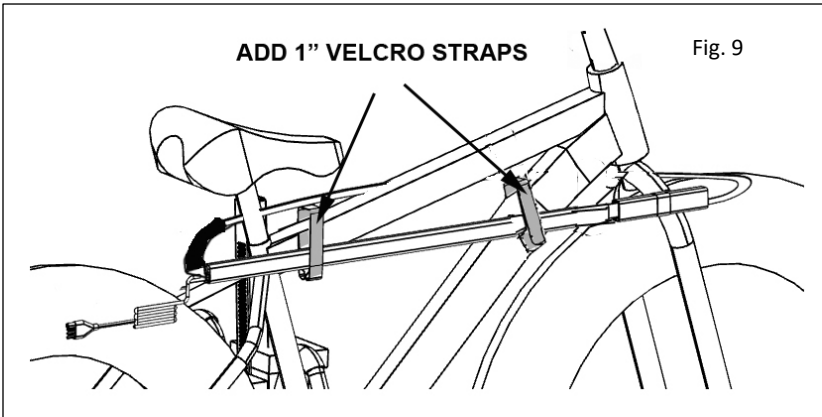
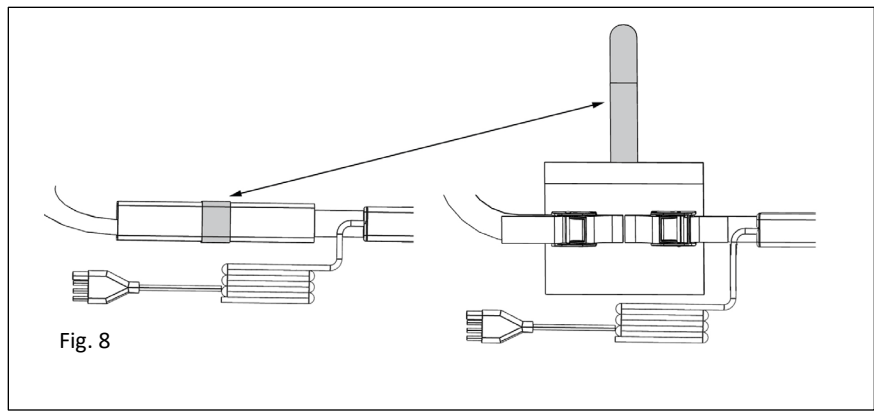


Step 3: Wrap the LED bar around the bike. Use the seat post, handlebars or tires to wrap around. (Fig. 6)

Step 4: Pull the strap ends to remove all slack in the strap. The light Bar's housing is flexible and can bend back against the bike. (Fig. 7)

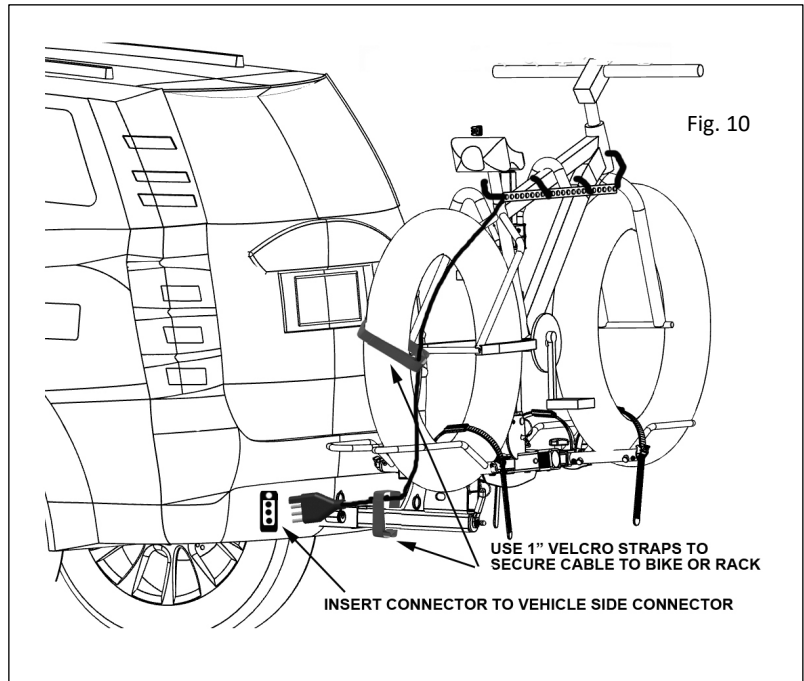


Step 5: Wrap the canvas cover around the buckles and secure with the built in Velcro strap. (Fig. 8)

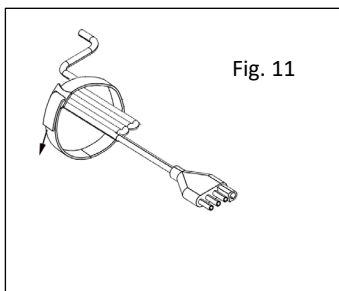


Step 6: Remove two 1" Velcro straps (B) from the parts bag. Secure the LED Bar against the frame or tires of the bike. (Fig. 9)

Step 7: Route the cable along the bike and bike rack and insert the connector into the vehicle's trailer hitch connector. Use the additional two 1" Velcro straps (B) to secure the cable to the bike or rack. (Fig. 10)



Use the small cable strap (C) to bundle up any additional cable. (Fig. 11)



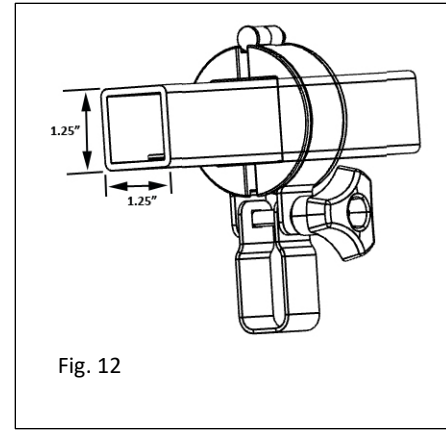
Step 8: Double checking the LED Bar – After installation, double check that the four LED Bar functions are working. Please see page 3 for Trailer Lamp-Out sensors, or if your turn signals are flashing quicker than normal.

Installing LED Bar to Hollywood Sport Rider or RV Rider racks

Square Tube Clamp Warranty & Fit Notes:

The clamps included with the LED Bar are intended to fit all Hollywood Racks Sport Rider Racks, the RV Rider and the Destination E (requires adapter) racks only. These racks use a 1.25" (31.8mm) square tube that the clamps will mount to. (Fig. 12)

If you own another brand of rack, please measure the tube closely as it may be 30mm square and the clamps will not work. We do not know the tube dimensions for any other brands of racks. **Use of a shim(s) to bring the tube dimension up to 1.25" square may result in failure and will void the warranty.**



Step 1: Refer to top of page 4, Installation of LED Bar

Step 2: Remove strap and buckles from LED Bar by pressing down on the indicated buckle tab and pulling the nylon strap out of the plastic housing. (Fig. 13)

Step 3: Locate the LED Bar below the rack, and mark with pencil or tape the approximate locations of where you will want to assemble the hinge clamps and PVC housing clamps. (Fig. 14)

Step 4: Slide the PVC housing clamps into the approximate locations (you may have to slightly open them up. (Fig. 15)

Step 5: Place one of the plastic spacers into the hinge's leg, then push it against the side of the 1 1/4" square tube of the bike rack. Note the hinge should be at the top of the square tube. Then place the other plastic bushing into the hinge's leg. Fig. 16

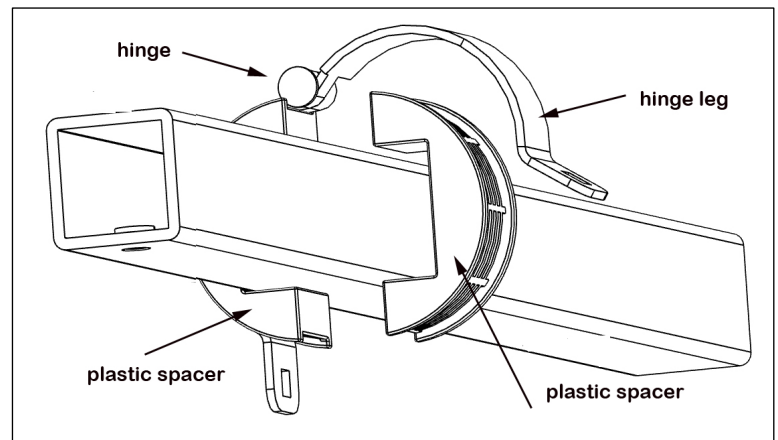
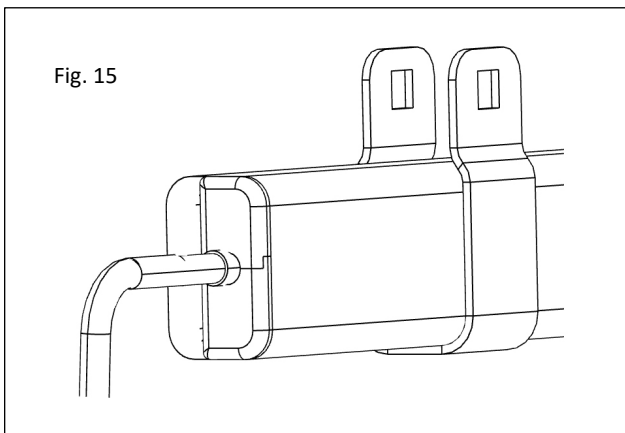
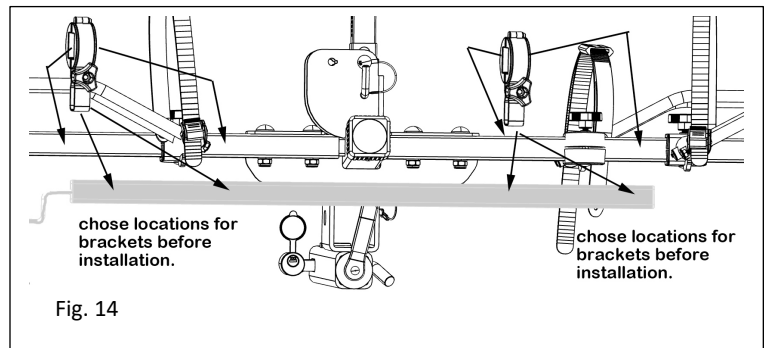
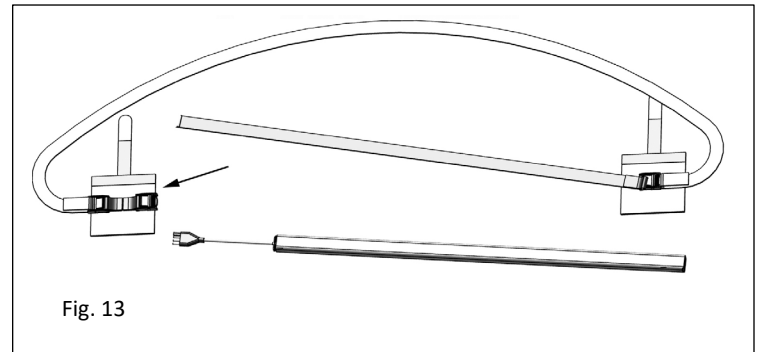


Fig. 16

Step 5 continued: Note that the legs of the PVC housing clamp should be inside of the hinged clamp before assembly. (Fig. 17)

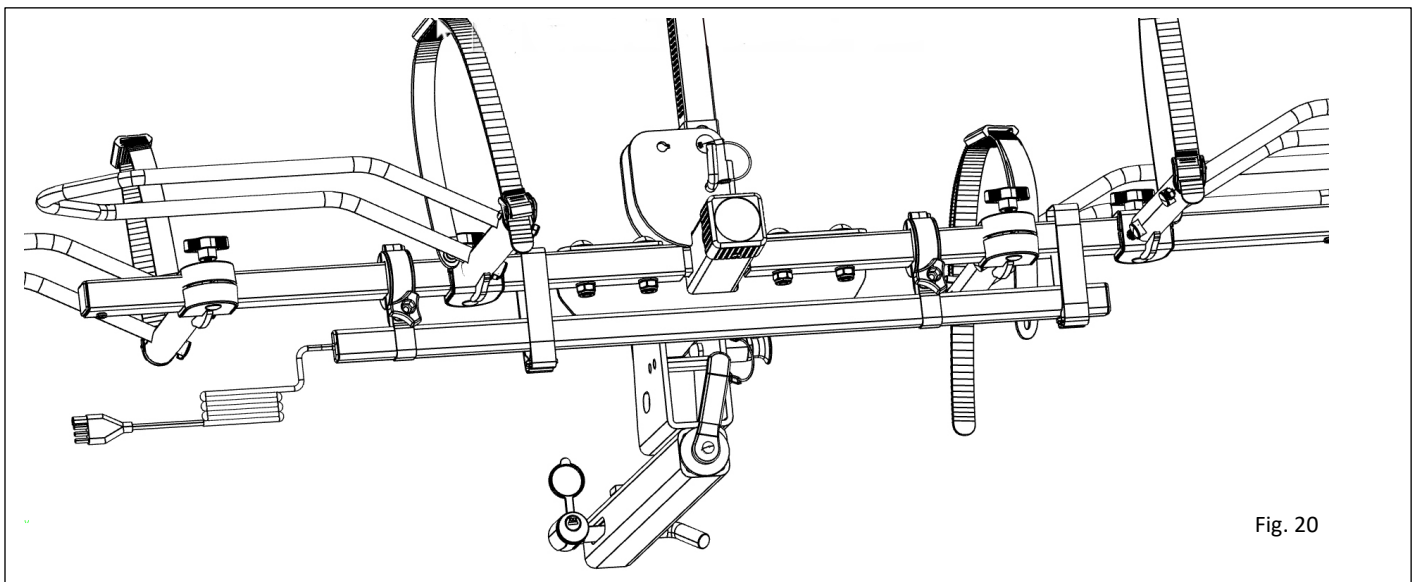
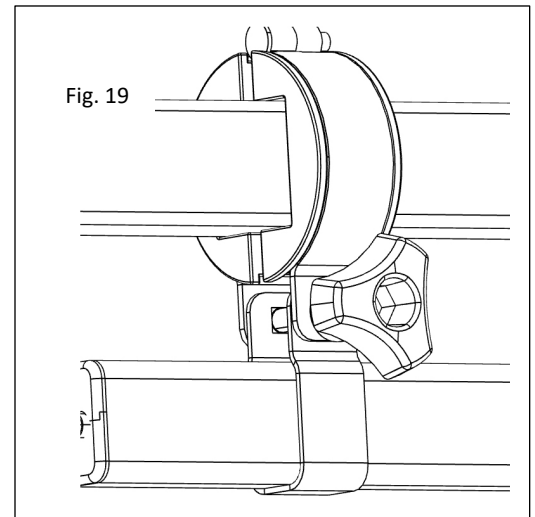
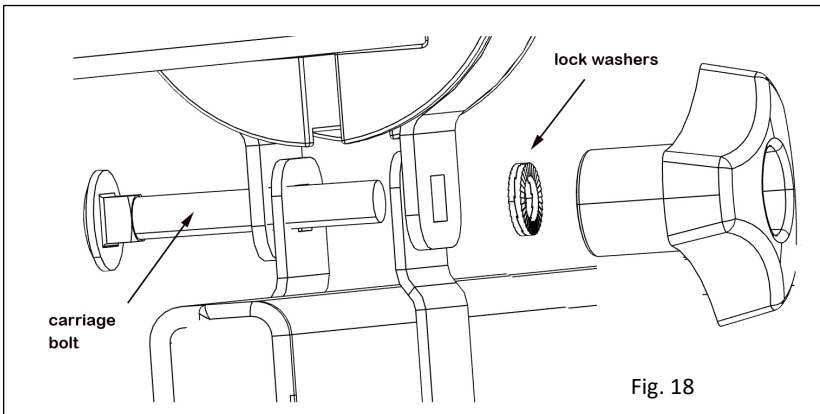
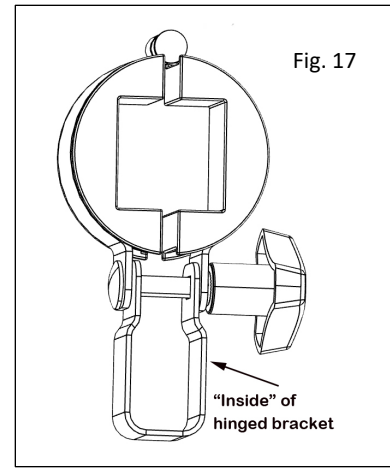
Step 6: Insert the 5mm carriage bolt through all four clamp legs, install the small lock washer set (Note we have included an extra two sets with the parts), and install the knob. (Fig. 18)

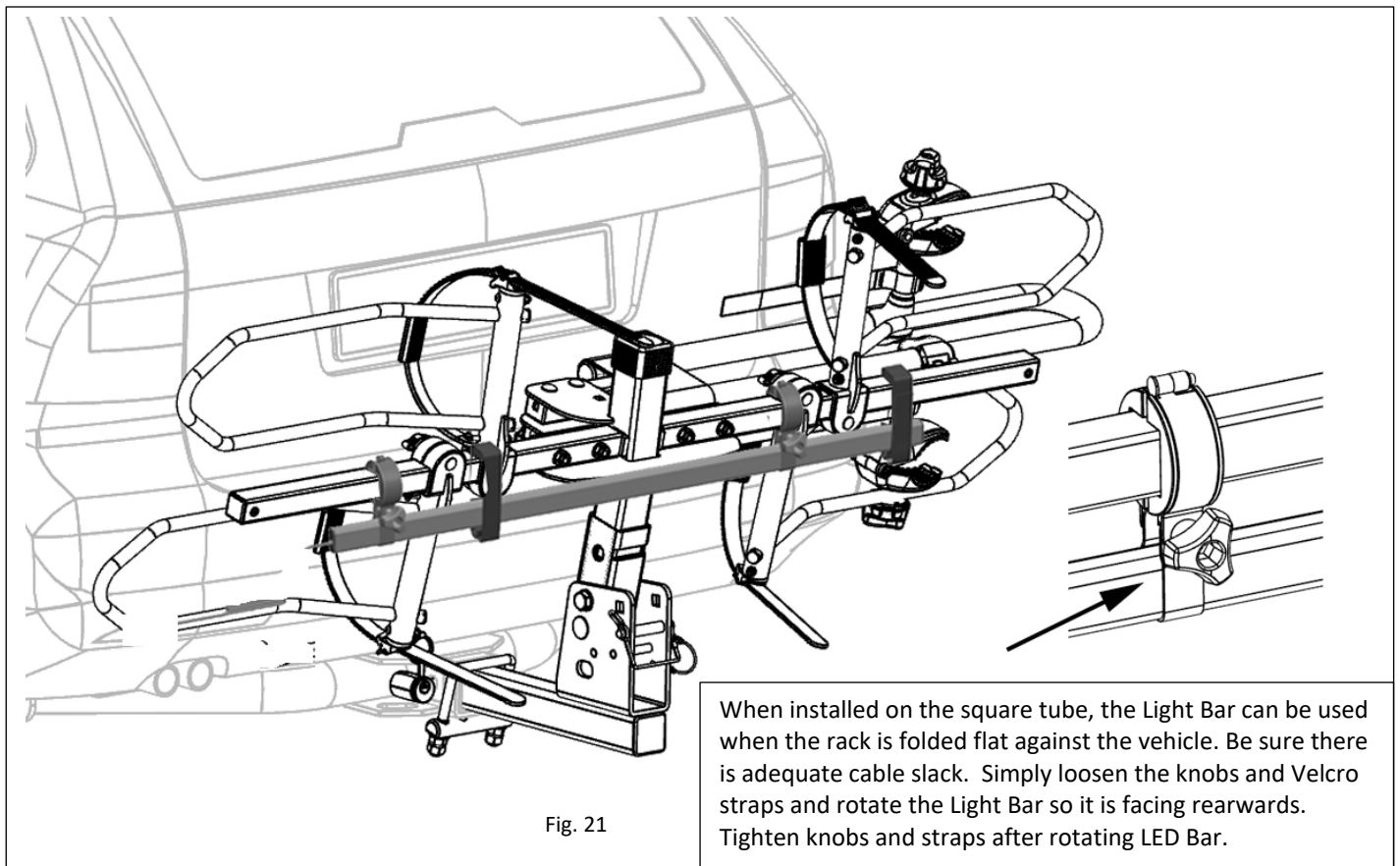
Step 7: Tighten knobs securely after determining final positions of the clamps ((Fig. 19, 20)

Step 8: Install two 1" Velcro straps around PVC housing and 1 ¼" square tube.

Step 9: Refer to Step 7 on Page 5

Step 10: Refer to Step 8 on Page 5.





When installed on the square tube, the Light Bar can be used when the rack is folded flat against the vehicle. Be sure there is adequate cable slack. Simply loosen the knobs and Velcro straps and rotate the Light Bar so it is facing rearwards. Tighten knobs and straps after rotating LED Bar.

Limited One Year Warranty

Hollywood Racks will warrant its car racks and accessories during the time that an original retail purchaser owns the product subject to the exclusions and limitations of this warranty. Hollywood Racks will remedy defects in materials and workmanship by repairing or replacing (at its option) a defective part without charge for labor or parts. Hollywood Racks may elect (at its option) to issue a refund equal to the purchase price paid for the product. This warranty does not cover problems caused by normal wear and tear including (but not limited to) weather, scratches, dents, rust, accidents, unlawful vehicle operation, misuse, abuse, neglect, theft, unauthorized modifications, or unauthorized repair. No warranty is given for defects resulting in incorrect assembly, incorrect installation onto the vehicle, assembly of clamps (ID reference E, page 2) onto square tubes other than 1.25" x 1.25", cutting or splicing the electrical cable to work with other connectors, or use with any other connector other than a 4 pin/5 pin flat trailer connector. The purchaser acknowledges there is no reverse/backup light function with this product. Hollywood Racks does not warranty or guaranty functionality of this product with any other type of adapter. Hollywood Racks is not responsible for the vehicle side electrical wiring and connector, including functionality, output voltage, output current, condition, possible short circuits, and physical condition. The warranty does not cover operation outside of voltage or temperature ranges outside of those stated on page 3 of this instruction manual.

This warranty terminates if the original retail purchaser transfers the product to any other person. If a product is believed to be defective, the original retail purchaser should contact either the original retailer or Hollywood Racks directly at 800-747-4085 or at info@hollywoodracks.com **Disclaimer of Liability:** Repair or replacement of a defective product or the issuance of a refund or credit (as determined by Hollywood Racks) is a purchaser's exclusive remedy under this warranty. Damage to a purchaser's vehicle, cargo, bicycles and or to any other person is excluded. This warranty is expressly made in lieu of any and all other express warranties, whether oral or written. Hollywood Racks shall not be liable for any direct, indirect, consequential, incidental, special, punitive or any other damages in connection with the purchase, use or handling of this product. Some states do not allow the exclusion or limitation of consequential or incidental damages and the above limitation may not apply to you. This warranty gives you specific legal rights and you have other rights, which vary from state to state.

Hollywood Racks
 12812 South Spring Street Los Angeles, CA 90061 (800) 747-4085 (310) 516-8600 Fax (310) 516-8955
 Customer Service Hours: M-F 8:00 AM- 3:00 PM PST www.hollywoodracks.com info@hollywoodracks.com
 LB1 May 2023 V1-2