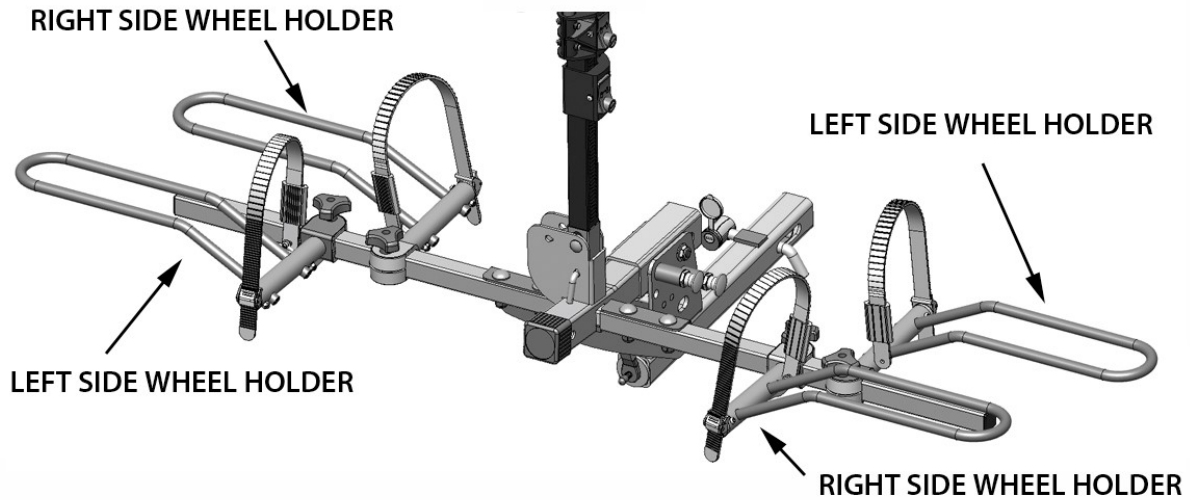


HOLLYWOOD RACKS

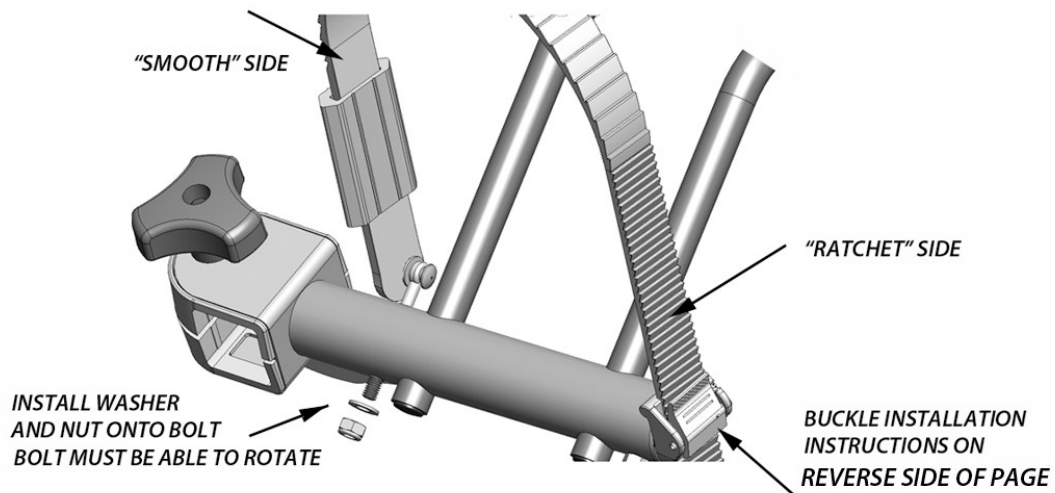
WHEEL HOLDER BUCKLE AND STRAP REPLACEMENT INSTRUCTIONS



INSTALLING STRAP:

TOOLS REQ'D:
ADJUSTABLE OR 10MM WRENCH
AND 4MM OR 5/32" HEX KEY

1. INSERT BOLT INTO HOLES OF TUBE AS SHOWN BELOW.
2. INSTALL WASHER AND NUT ONTO BOLT, TIGHTEN NUT SO THAT THE BOLTS THREADS ARE PROTRUDING THROUGH THE NUT USING
3. BOLT MUST BE ABLE TO ROTATE

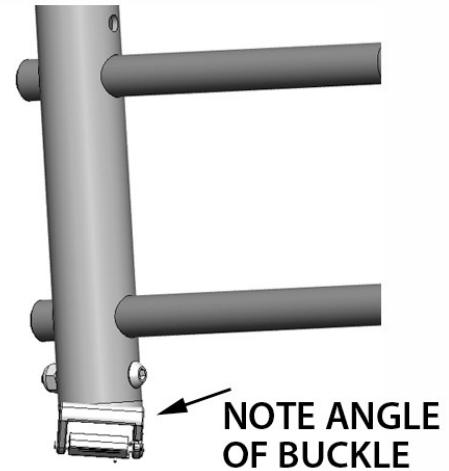
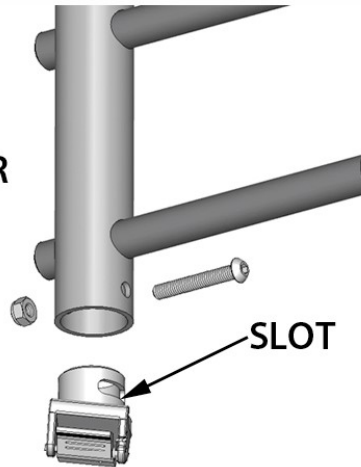


BUCKLE INSTALLATION

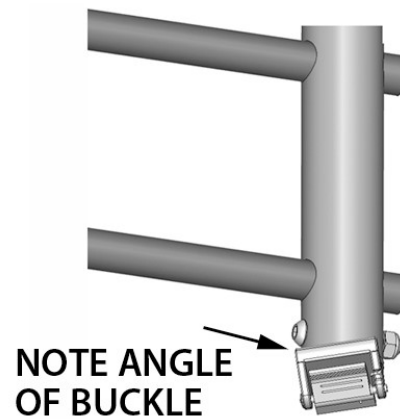
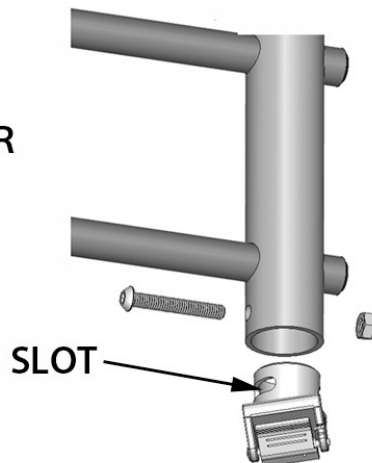
1. Insert buckle as shown (note slot position).
2. Insert bolt into holes
3. Install washer and nut onto bolt so that the bolt's threads are protruding through the nut

TOOLS REQ'D:
ADJUSTABLE OR 10MM WRENCH
AND 4MM OR 5/32" HEX KEY

RIGHT SIDE
WHEEL HOLDER



LEFT SIDE
WHEEL HOLDER



HOLLYWOODRACKS.COM
800-747-4085