

# Hollywood Racks Tail Gate Pad Model No. TP-1

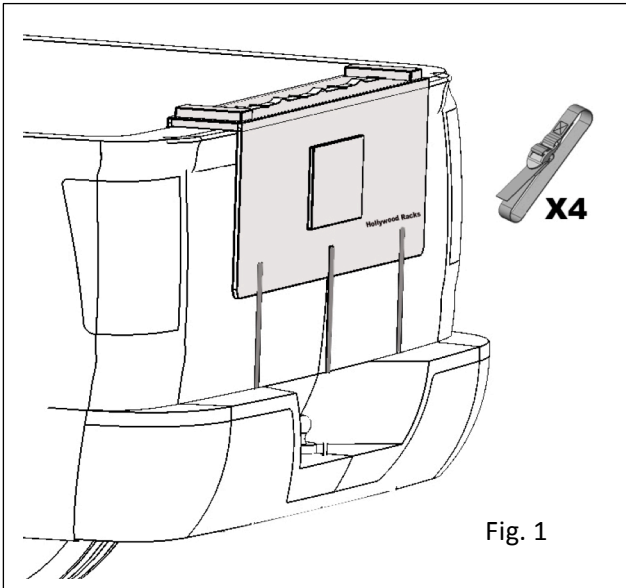


Fig. 1

## Contents:

Tail Gate Pad (53" long), four bike capacity  
Bike tie downs (quantity = 4)

## Installation:

1. Place the pad on the tailgate gate as shown in Fig 1.
2. Open the tailgate slightly through the pad's handle access flap as shown in Fig. 2.
3. Feed the three straps between the bottom of the tail gate and the truck bed. Close the tail gate, careful not to pinch your fingers. See Fig. 3
4. Attach the straps to the buckles as shown above and pull the strap-end tight per Fig. 4
5. Center the pad on top of the tail gate as shown.

## ESPAÑOL

## Contenido:

Tail Gate Pad (53 "de largo), capacidad para cuatro bicicletas  
Bike tie downs (cantidad = 4)

## Instalación:

1. Coloque la almohadilla en la compuerta trasera como se muestra en la Fig. 1.
2. Abra ligeramente la compuerta trasera a través de la aleta de acceso a la empuñadura del pad como se muestra en la Fig. 2.
3. Alinee las tres correas entre la parte inferior de la puerta trasera y la plataforma del camion. Cierre la puerta de la cola, teniendo cuidado de no pellizcarse los dedos. Ver la Fig. 3.
4. Fije las correas a las hebillas como se muestra arriba y tire del extremo de la correa con fuerza de acuerdo con la Fig. 4.
5. Centre la plataforma sobre la puerta trasera como se indica.

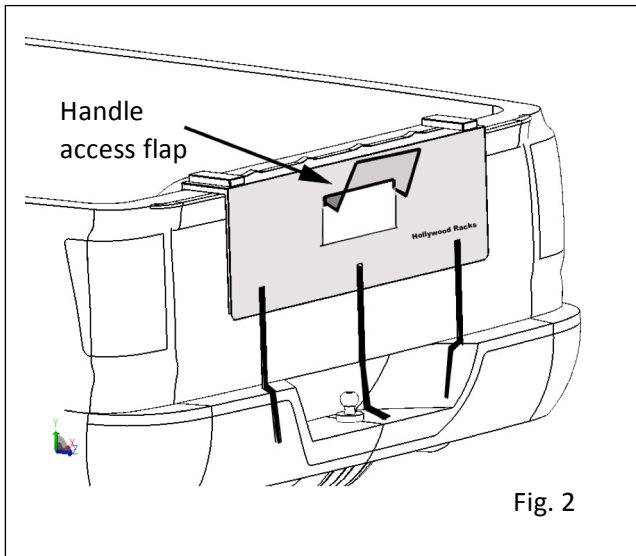


Fig. 2

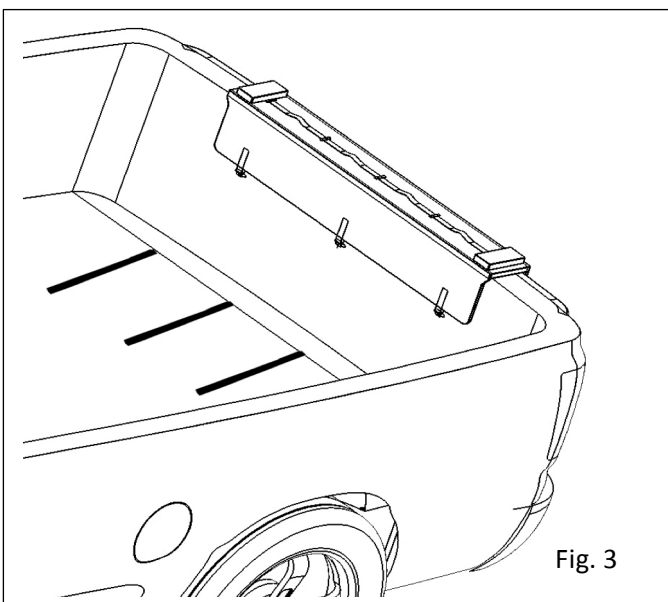


Fig. 3

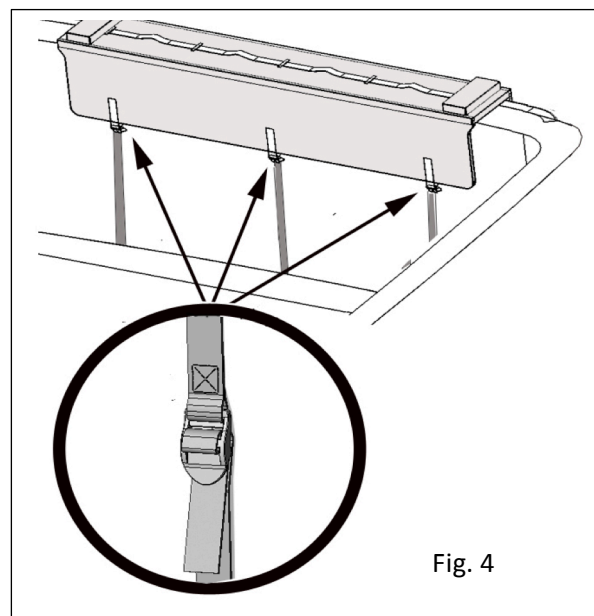


Fig. 4

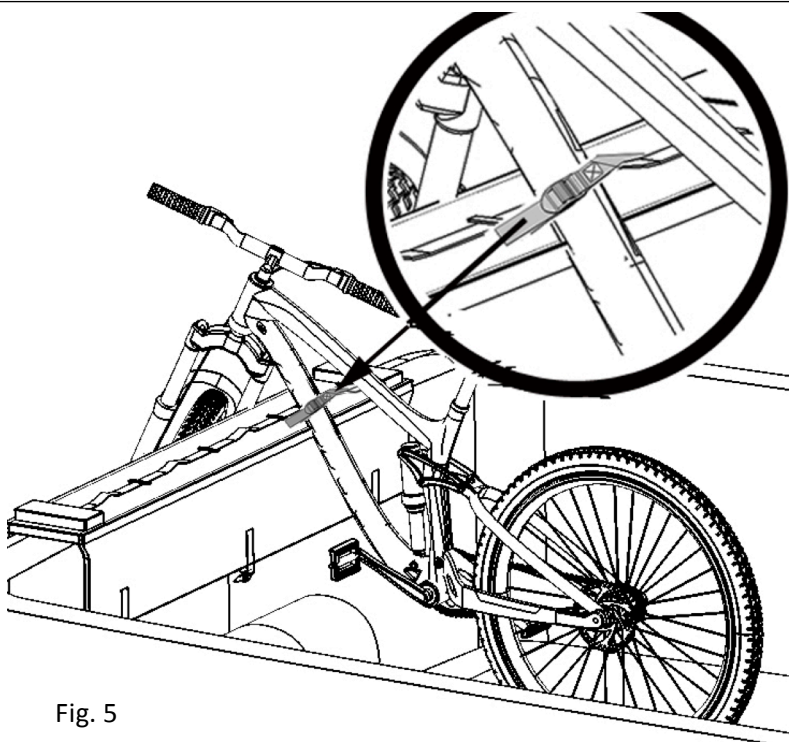


Fig. 5

## Installing bikes:

Place the rear wheel in the bed of the truck and rest the front tire and the fork against the pad. Strap the bike down per Fig. 5 using the tie downs and strap loops on the pad.

## Instalación de bicicletas:

Coloque la rueda trasera en la plataforma del camión y apoye la rueda delantera y la horquilla contra la plataforma. Sujete la bicicleta por la Fig. 5 usando los amarres y los lazos de la correa en la almohadilla.

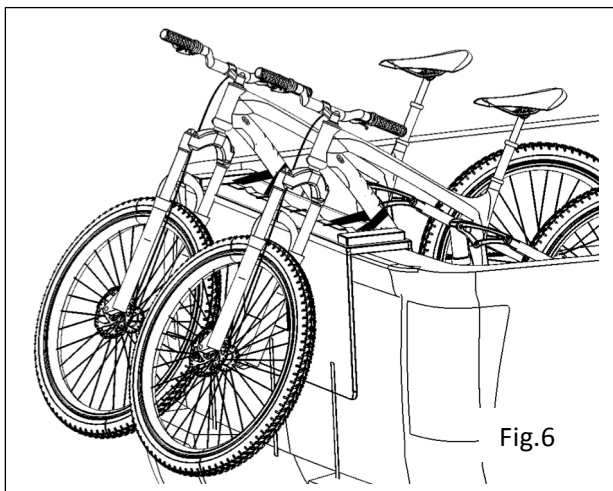


Fig.6

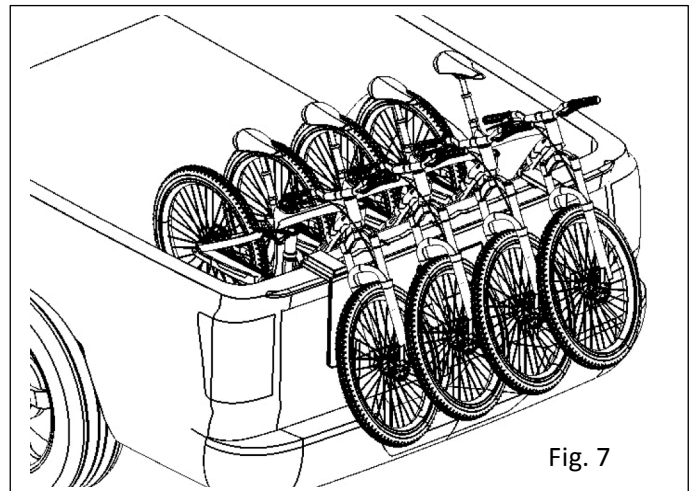


Fig. 7

**Limited Lifetime Warranty:** Hollywood Racks will warrant its car racks and accessories during the time that an original retail purchaser owns the product subject to the exclusions and limitations of this warranty. Hollywood Racks will remedy defects in materials and workmanship by repairing or replacing (at its option) a defective part without charge for labor or parts. Hollywood Racks may elect (at its option) to issue a refund equal to the purchase price paid for the product. This warranty does not cover problems caused by normal wear and tear including (but not limited to) weather, scratches, dents, rust, accidents, unlawful vehicle operation, misuse, abuse, neglect, theft, unauthorized modifications, or unauthorized repair. No warranty is given for defects resulting in incorrect assembly, incorrect installation onto the vehicle, installation on a "no fit" vehicle, incorrect attachment of bicycles onto the rack, or overloading of the rack's weight restrictions. This warranty terminates if the original retail purchaser transfers the product to any other person. If a product is believed to be defective, the original retail purchaser should contact either the original retailer or Hollywood Racks directly at 800-747-4085 or at [info@hollywoodracks.com](mailto:info@hollywoodracks.com) **Disclaimer of Liability:** Repair or replacement of a defective product or the issuance of a refund or credit (as determined by Hollywood Racks) is a purchaser's exclusive remedy under this warranty. Damage to a purchaser's vehicle, cargo, bicycles and or to any other person is excluded. This warranty is expressly made in lieu of any and all other express warranties, whether oral or written. Hollywood Racks shall not be liable for any direct, indirect, consequential, incidental, special, punitive or any other damages in connection with the purchase, use or handling of this product. Some states do not allow the exclusion or limitation of consequential or incidental damages and the above limitation may not apply to you. This warranty gives you specific legal rights and you have other rights, which vary from state to state.

### Hollywood Racks

12812 South Spring Street Los Angeles, CA 90061 (800) 747-4085 (310) 516-8600 Fax (310) 516-8955  
Customer Service Hours: 8:00 AM- 3:00 PM PST [www.hollywoodracks.com](http://www.hollywoodracks.com) [info@hollywoodracks.com](mailto:info@hollywoodracks.com)

V1.2 092418