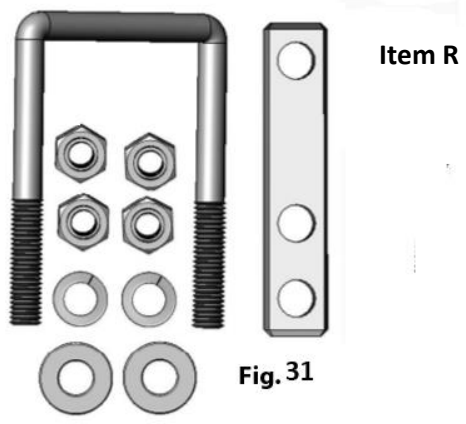


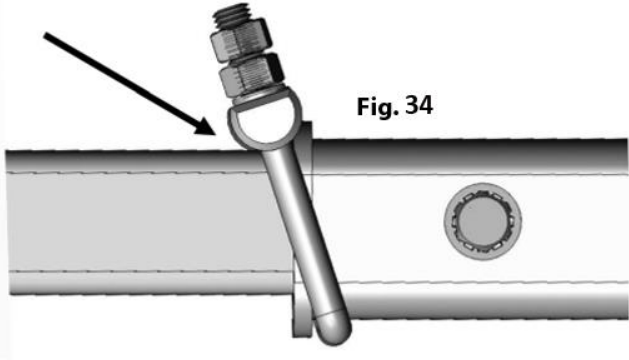
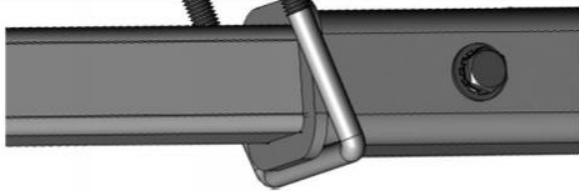
# Install hitch tightener (note: hitch tightener is used to reduce the rack's vertical wobble)

**Tools Required:** Adjustable wrench or 7/8" wrench  
**Contents:**  
 U-Bolt for 2" hitches (qty = one)  
 Clamp Bar (qty = one)  
 Split Washers (qty = two)  
 Flat Washers (qty = two)  
 1/2-13 Hex Nuts (qty = four)

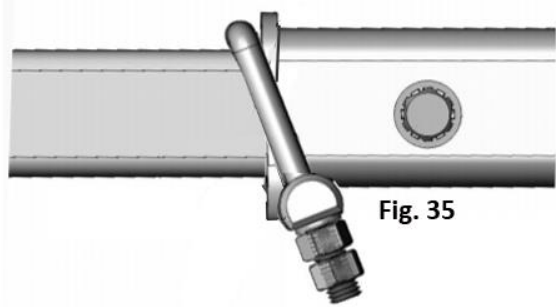
**Note:** This product requires a flange on your hitch



1. Check the package contents per Fig. 31
2. Per Fig 32 please note that this product requires that your hitch has a flange.



3. Place the U-bolt below the receiver hitch and behind the flange per Fig.
4. Slide the clamp bar onto the legs of the U-bolt. Rounded surface of the clamp bar must in contact with the flange and accessory tube per Fig.
5. Install the flat washers and thread a nut onto both legs of the U-bolt. Tighten the nuts securely so there is equal pressure on the clamp bar.
6. Install the split washers and thread the second set of nuts onto the legs of the U-bolt. Tighten securely, max. torque 25 ft-lbs.



*Note: The hitch tightener can be installed with the clamp bar below the hitch and in front of the flange per Fig. 35*

