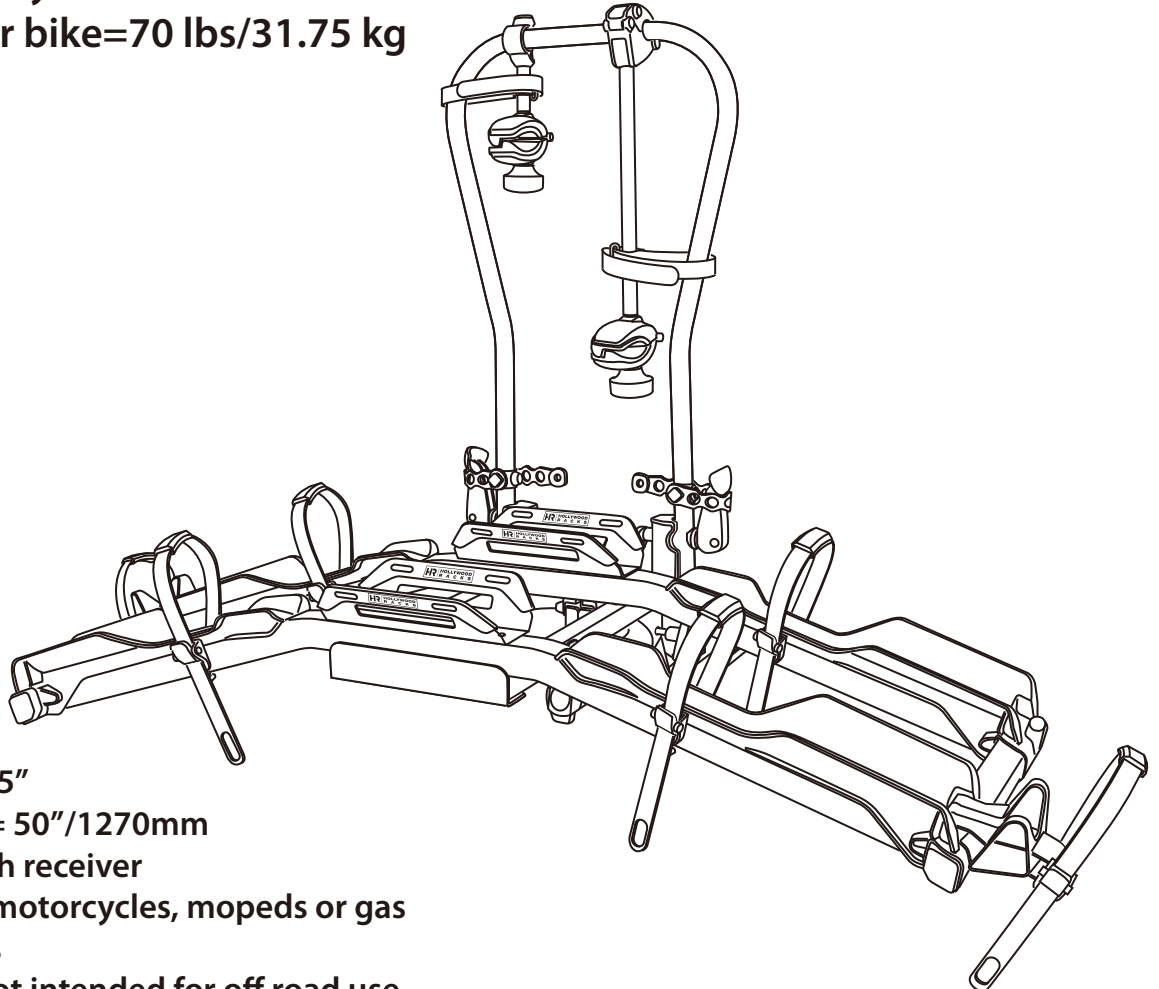


## Destination E-Rack

Two bike capacity

Max weight per bike=70 lbs/31.75 kg

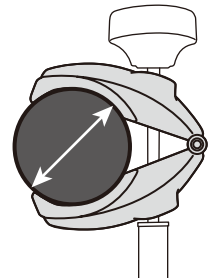
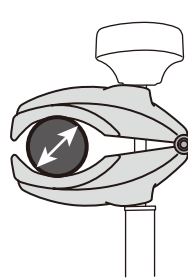


- Max tire width 4.5"
- Max wheelbase = 50"/1270mm
- Min. 2" Class hitch receiver
- Do not use with motorcycles, mopeds or gas powered bicycles
- This product is not intended for off road use
- Not for use with travel trailers or 5th wheels
- Do not use bumper mounted hitch adapters
- Do not use 1 1/4" to 2" hitch adapters
- Do Not use with a hitch extension longer than 8"

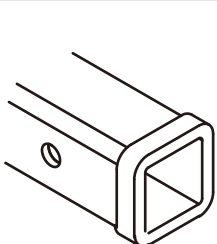
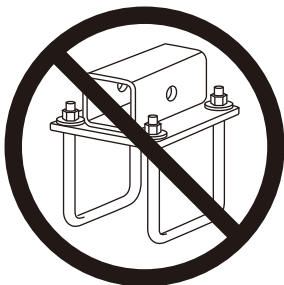
bike frame or seatpost requirements:

MIN. 1"/25mm

MAX 2"/50mm



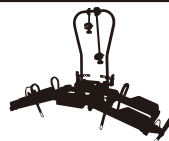
Do not attach the frame grabber to carbon frames, carbon seat posts or non-round seat posts.



2"



Min 1.5"



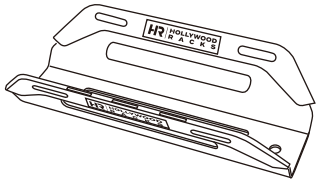
21kg  
46.2lbs



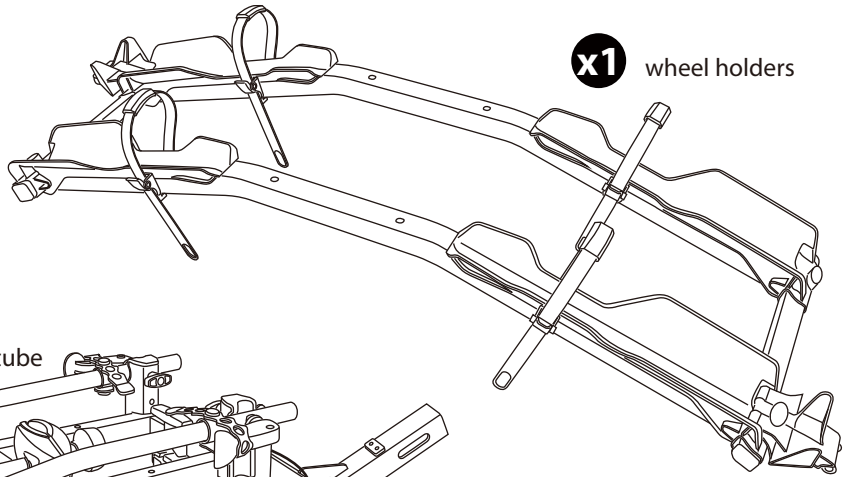
MAX 2x31.75 kg  
MAX 2x70 lbs

# PARTS LIST

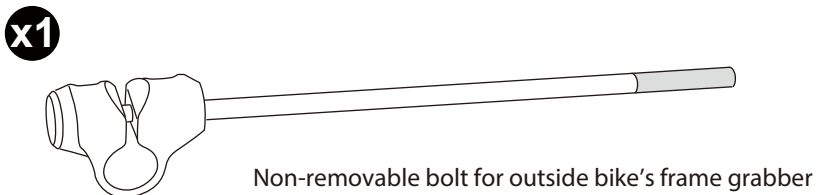
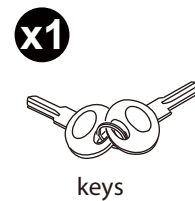
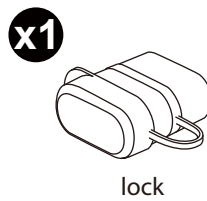
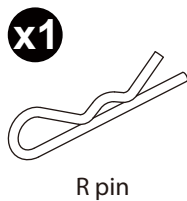
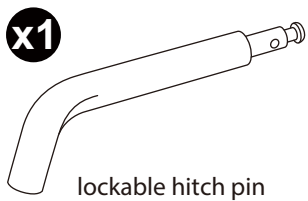
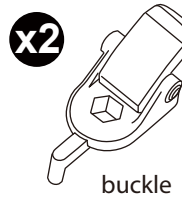
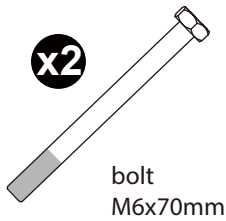
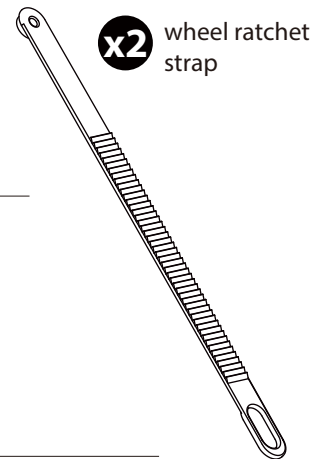
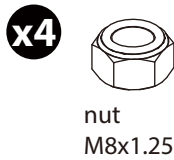
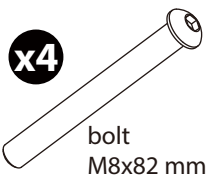
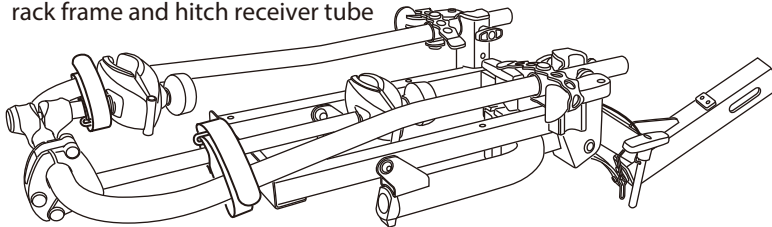
**x2** wheel bridge



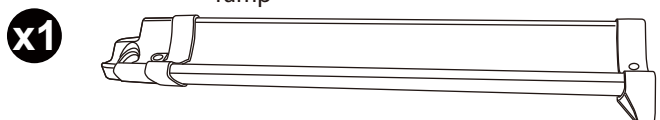
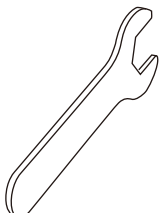
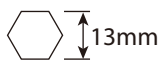
**x1** wheel holders



**x1** rack frame and hitch receiver tube

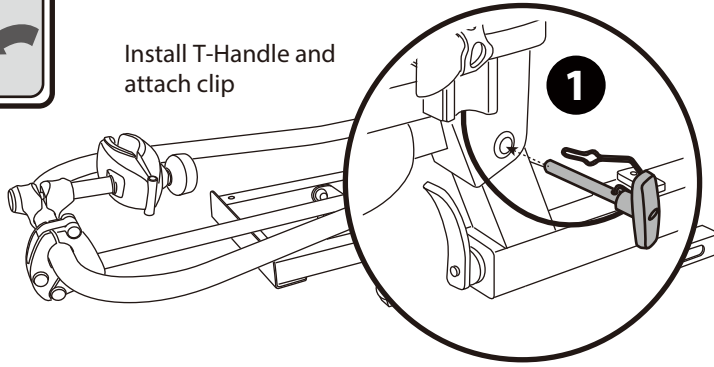


**Tool**

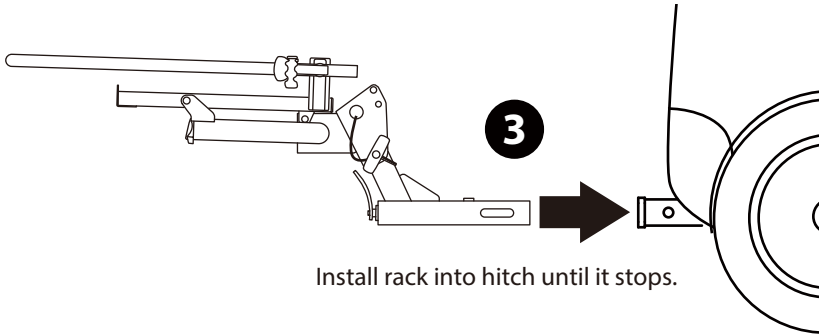
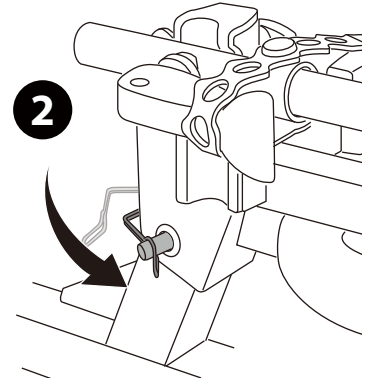




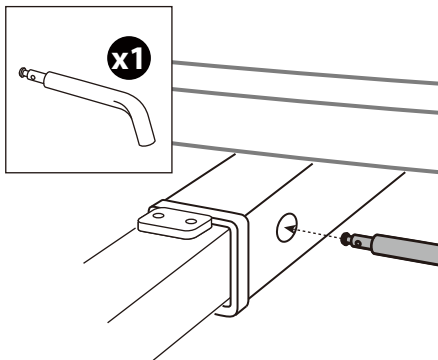
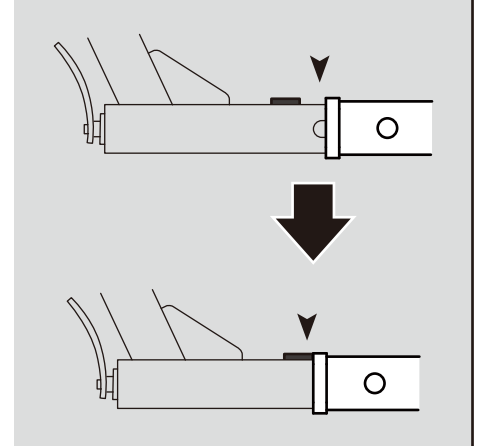
Install T-Handle and attach clip



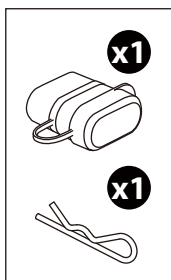
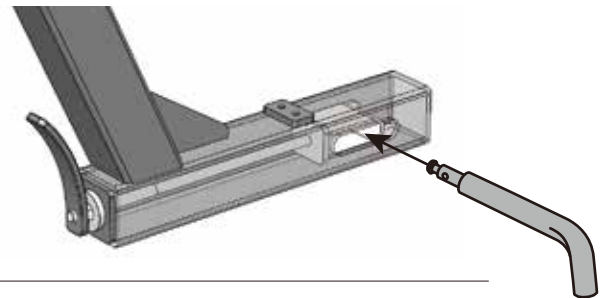
2



Install rack into hitch until it stops.

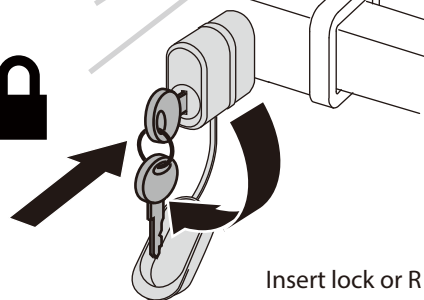


Insert the hitch pin through the hole in the trailer hitch and hitch tube until it passes through the other side. Be sure the pin passes through the internal tightening loop.

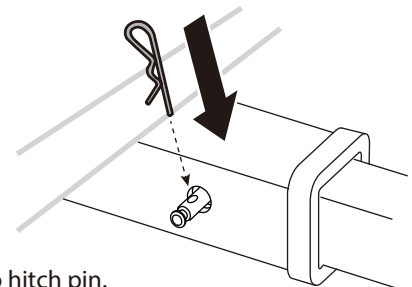


Option 1

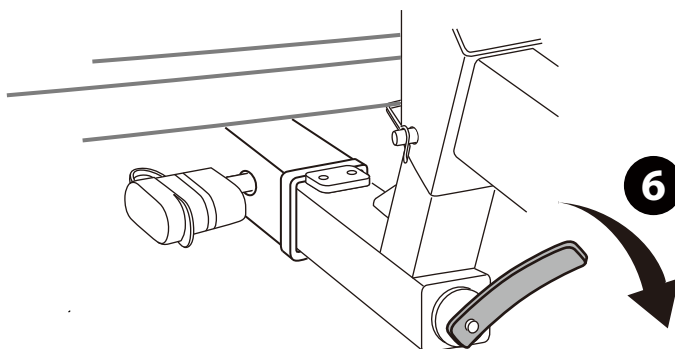
5



Option 2

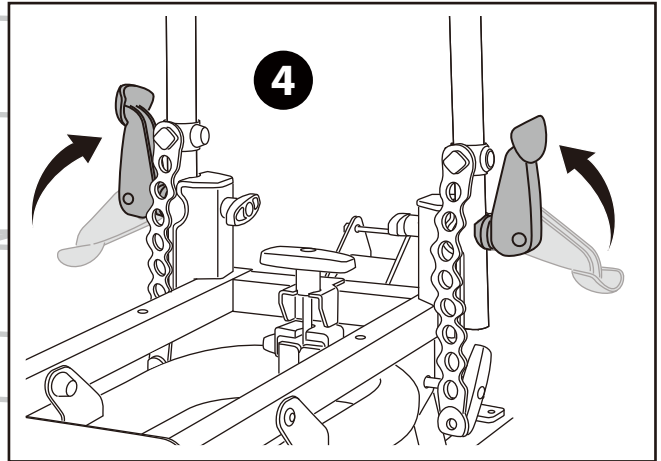
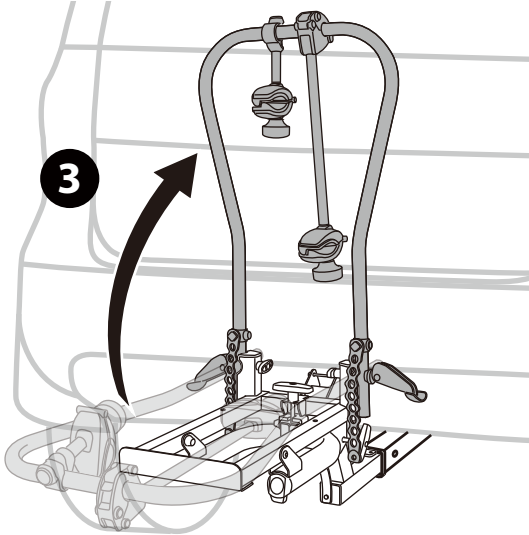
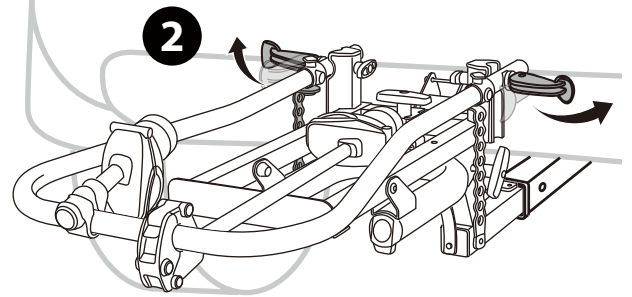
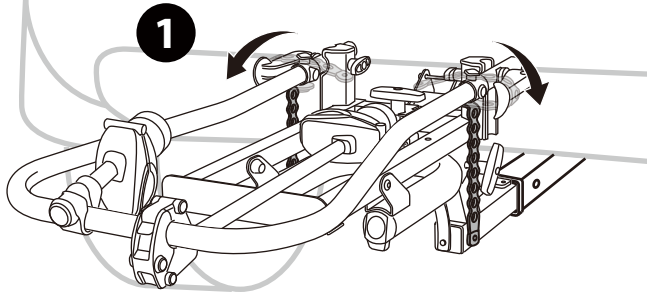


Insert lock or R pin onto hitch pin.

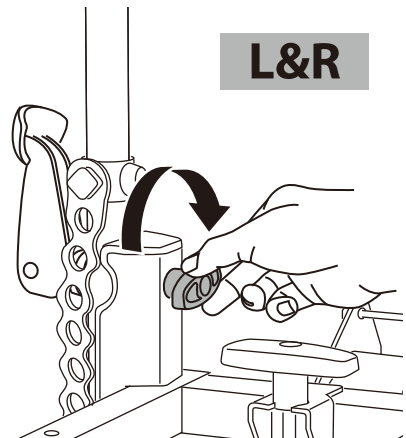
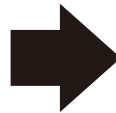
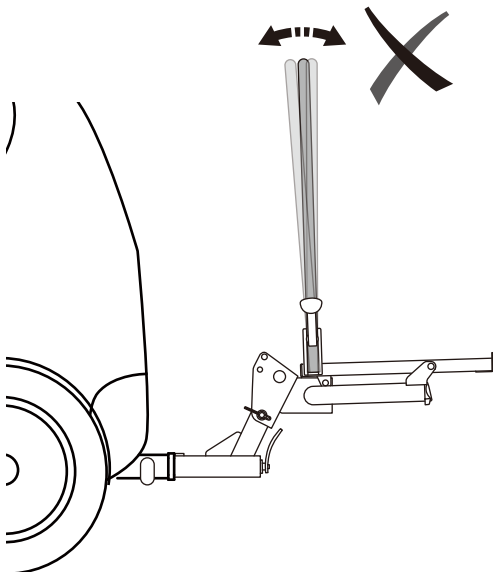


Tighten knob securely.

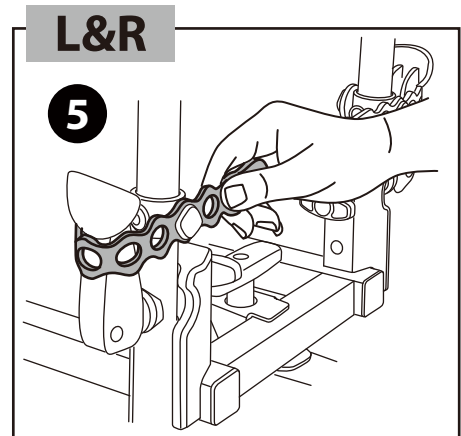
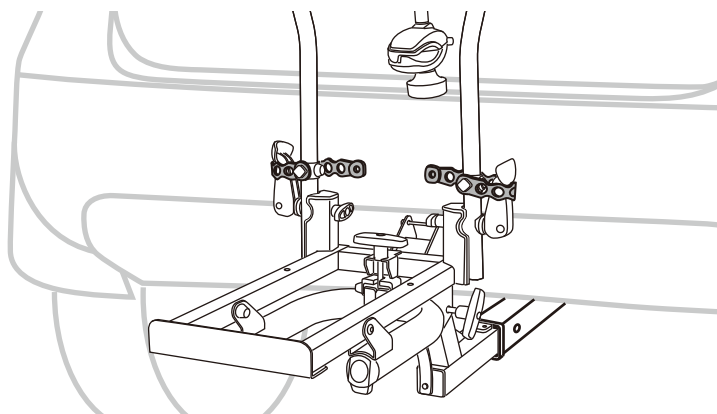
Loosen knobs and release levers, then rotate frame to the vertical position.

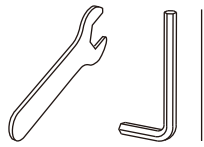


Tighten both left and right side knobs.

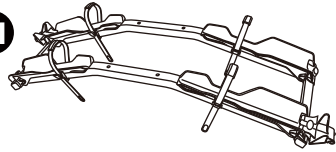


Attach rubber straps.





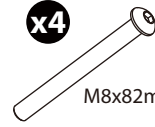
x1



x2



x4



M8x82mm

x2



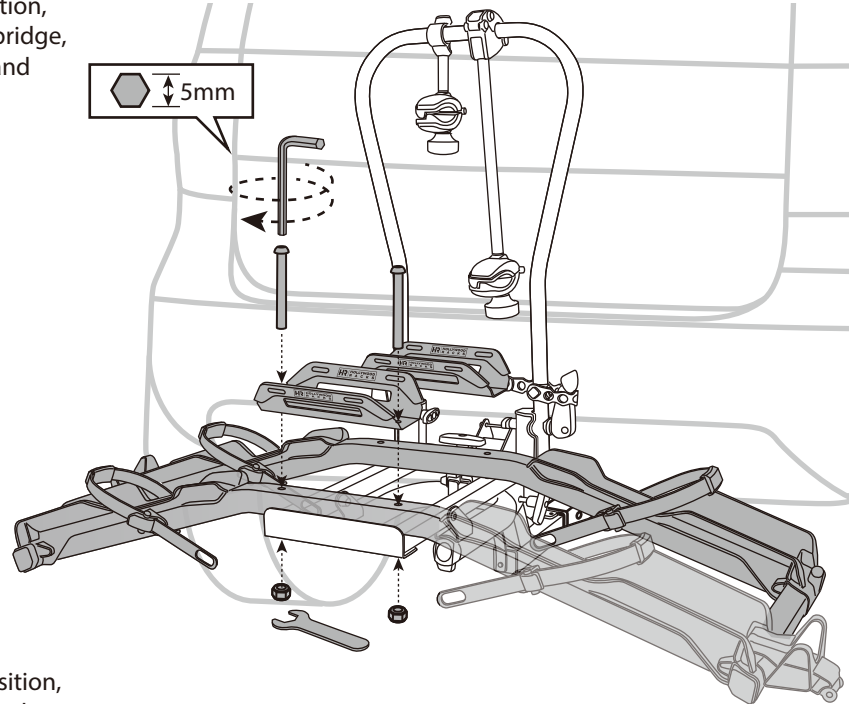
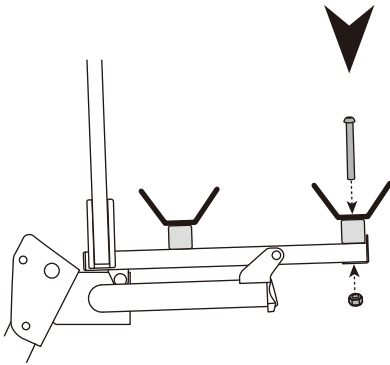
Ø8.5xØ19

x4

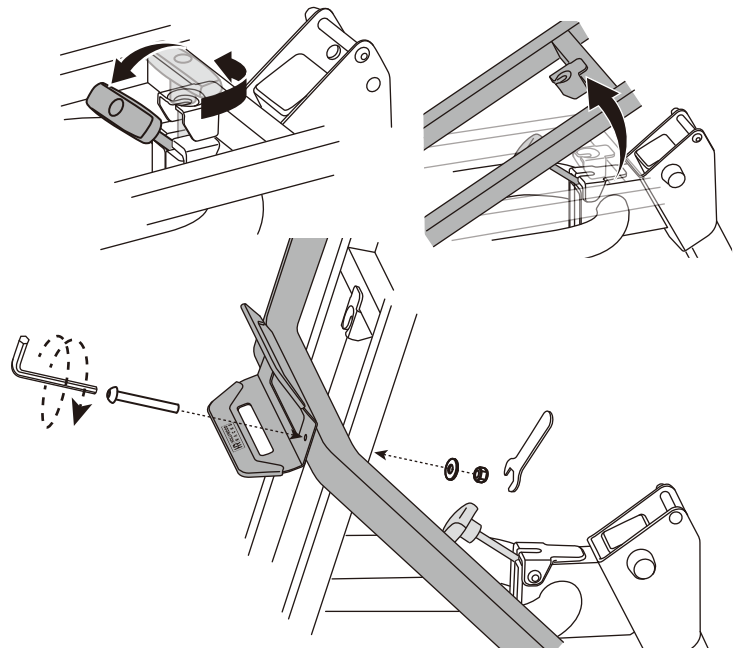
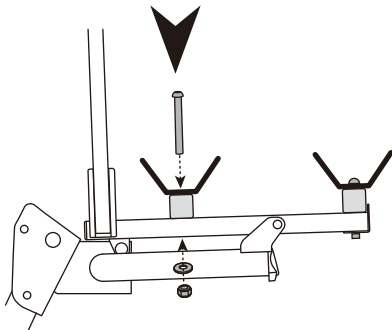


M8x1.25

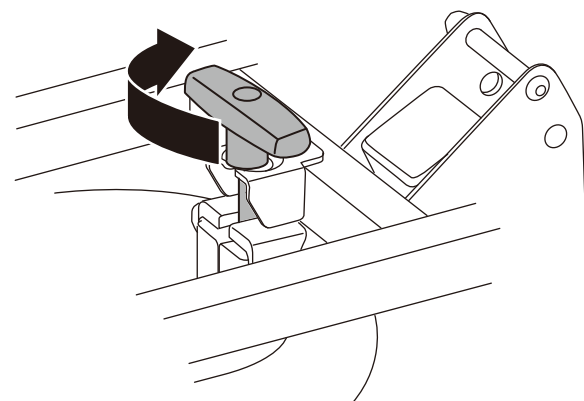
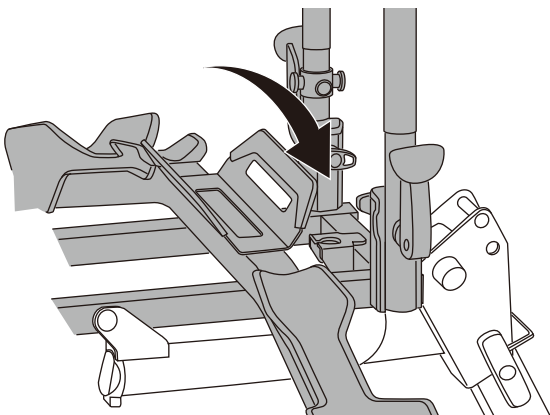
- 1** Starting with the OUTSIDE bike position, install the bolts through the wheel bridge, wheel holder tube and rack. Install and tighten washers and nuts.

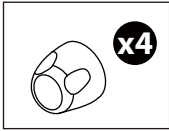


- 2** For assembly of the INSIDE bike position, the rack will need to be tilted forward. Loosen knob, tilt rack and install bridge and hardware as shown.

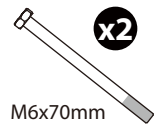
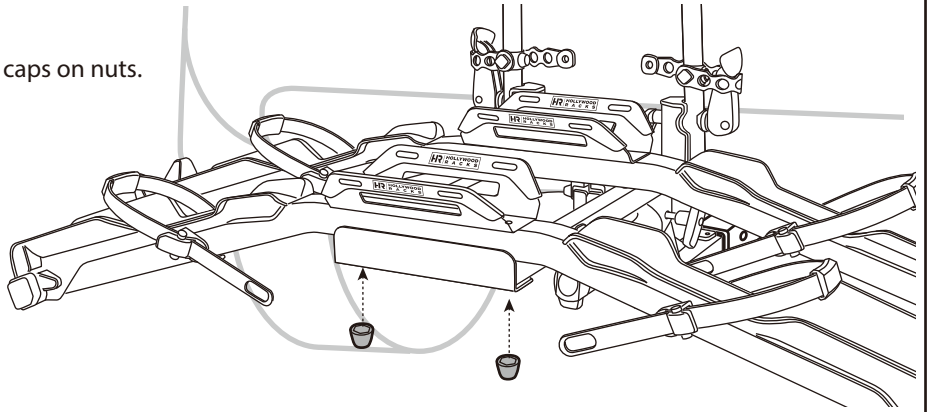
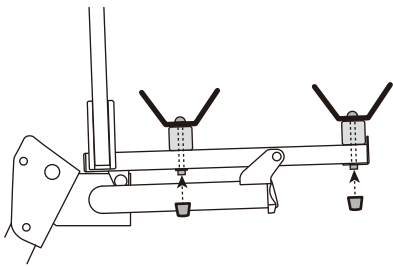


- 3** Tilt rack back and tighten knob securely.





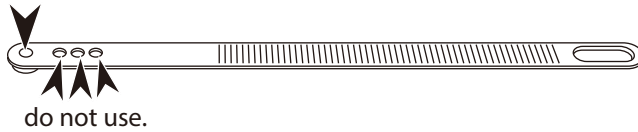
**4** Install caps on nuts.



M6x70mm

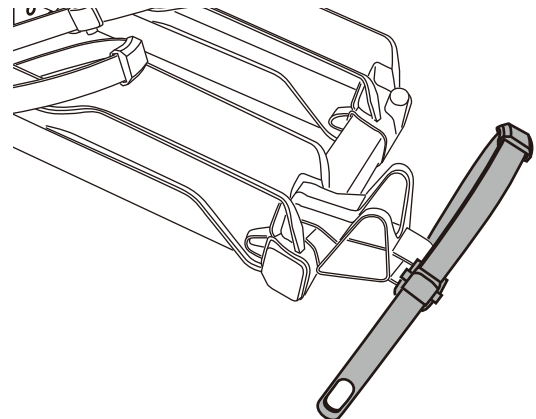
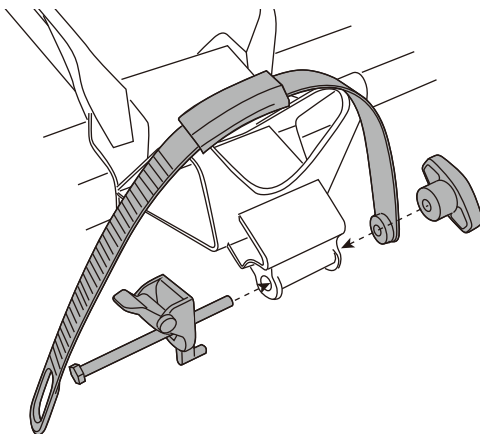


When installing straps, only use this hole.



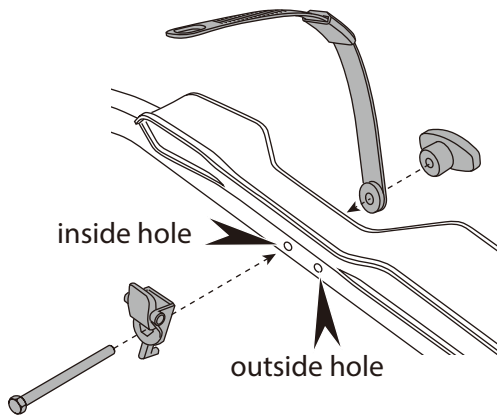
**5**

Install front wheel anti-sway ratchet strap to both wheel chocks.



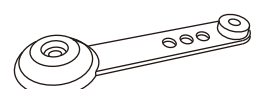
inside hole

outside hole



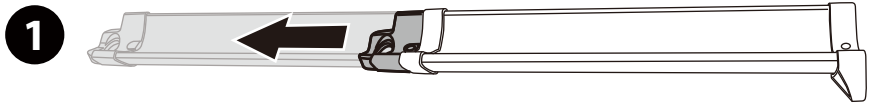
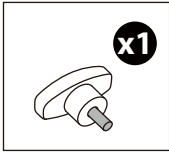
Mount the wheel ratchet straps to the inside hole for most bikes. Use the outside hole for long wheel base bikes (greater than 45") or for when attaching the frame grabber to the seat post of your bike. Hollywood Racks manufactures a 4" strap extension (not included) in the case additional strap length is required. Please contact our customer service department at [info@hollywoodracks.com](mailto:info@hollywoodracks.com) for more information.

4" extension strap

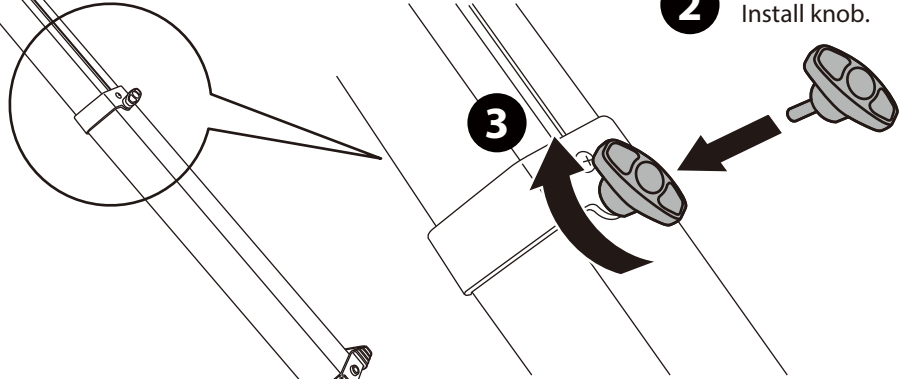


# USING THE RAMP

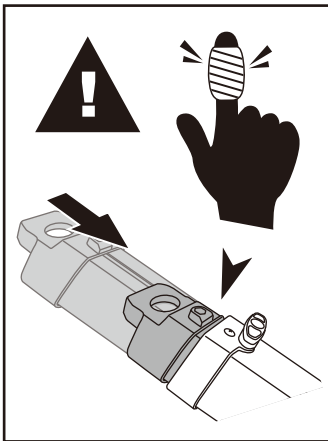
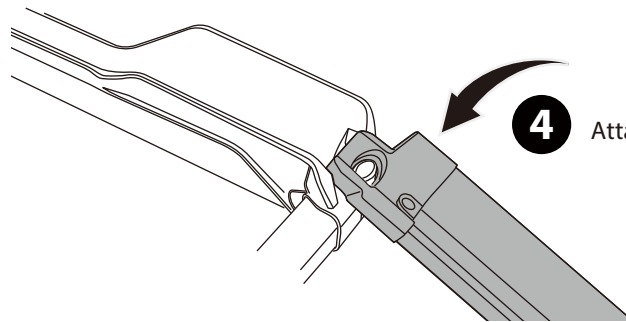
67~117cm / 26.5"~46"



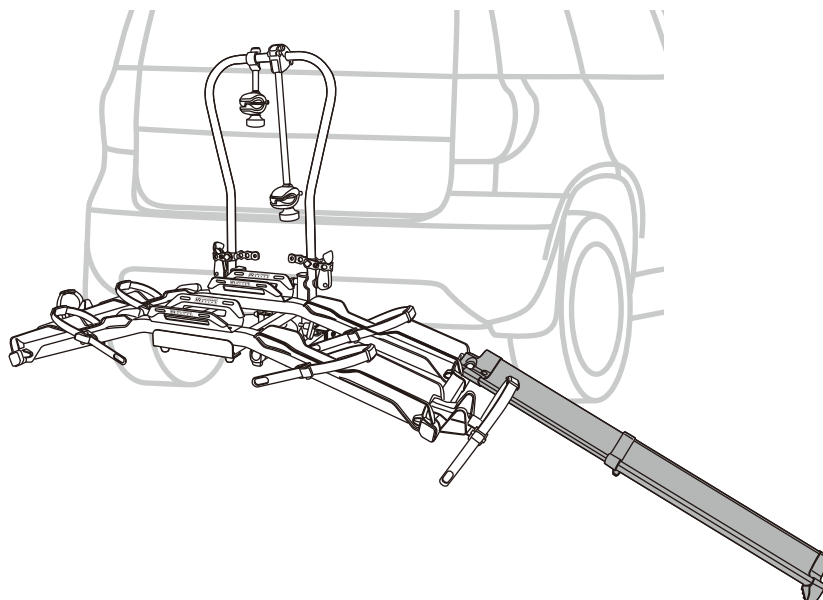
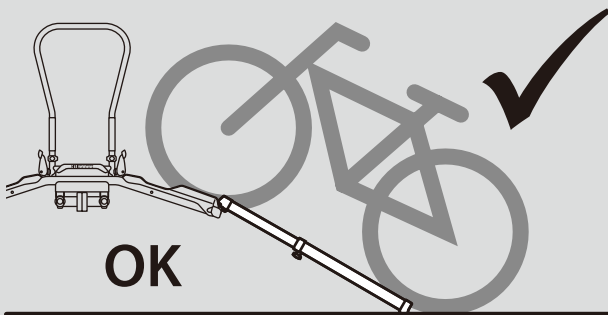
2 Install knob.



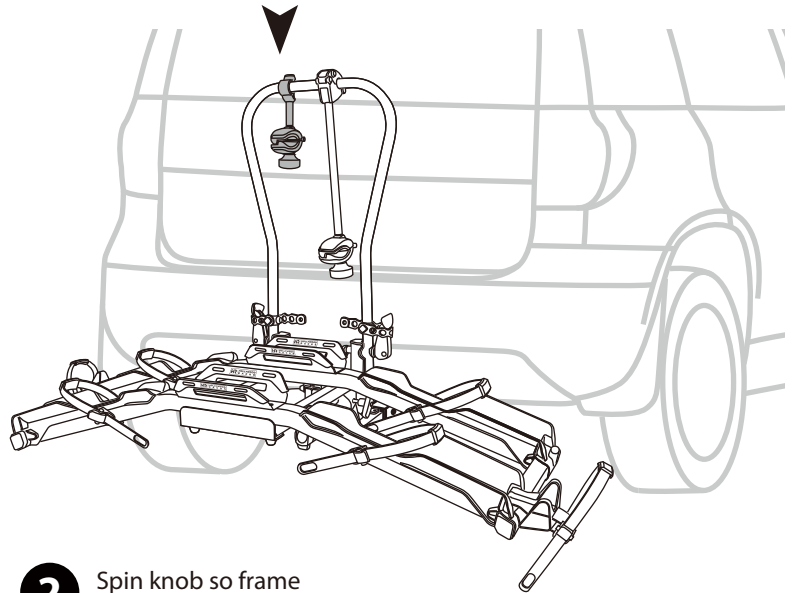
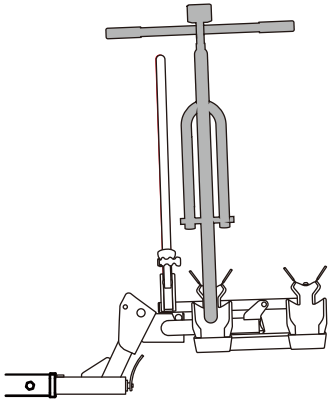
4 Attach ramp to rack.



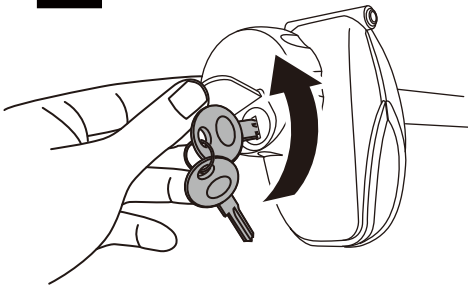
Only use ramp in fully extended position.



# INSTALLING THE INSIDE BIKE

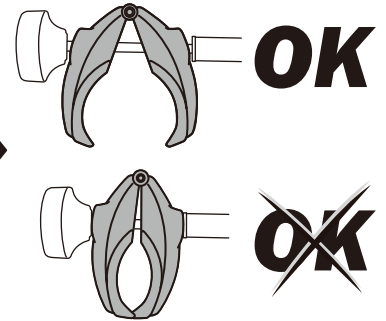
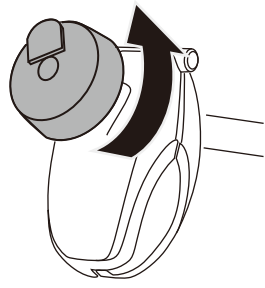


**1** Unlock knob.



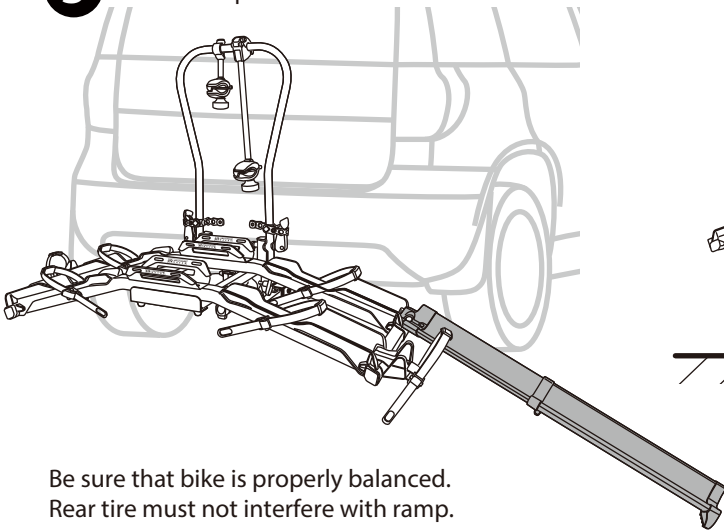
**2**

Spin knob so frame grabber jaws open.



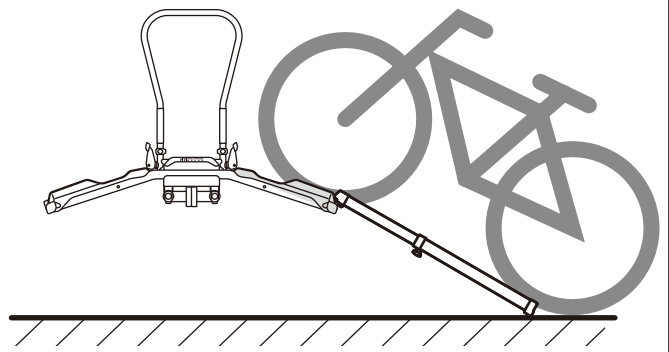
**3**

Attach ramp.

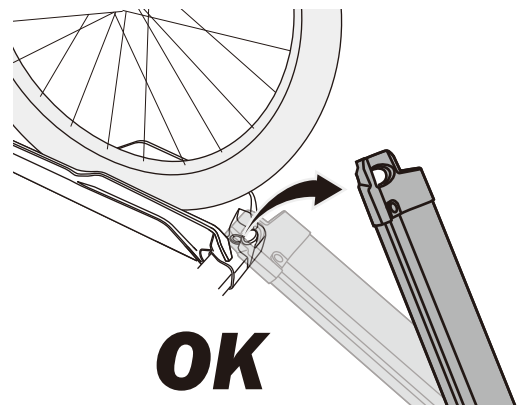
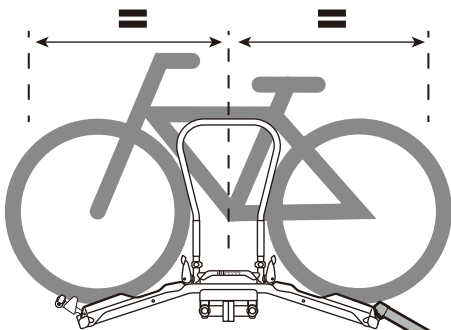


**4**

Load bike.

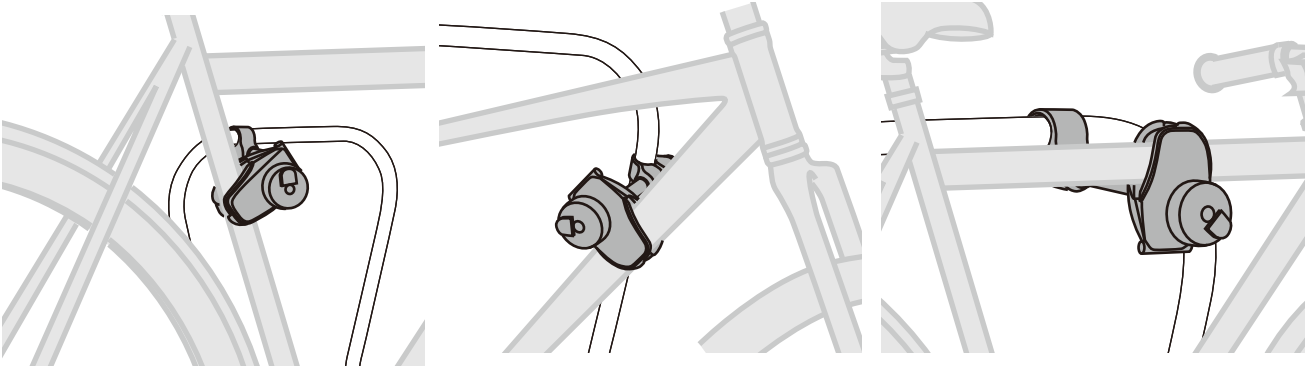


Be sure that bike is properly balanced.  
Rear tire must not interfere with ramp.

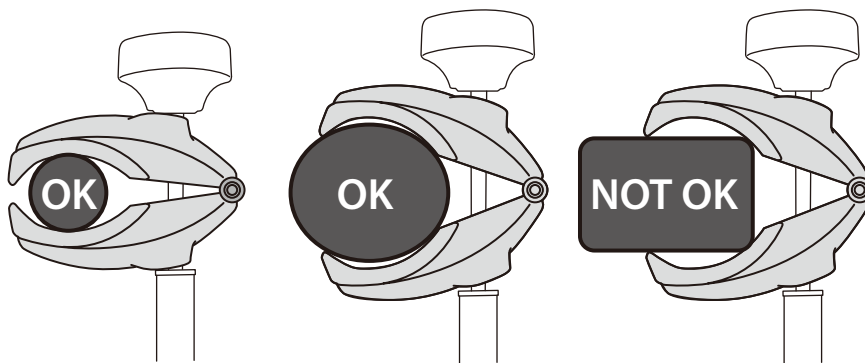




- 5** Attach frame grabber, tighten knob & lock knob.

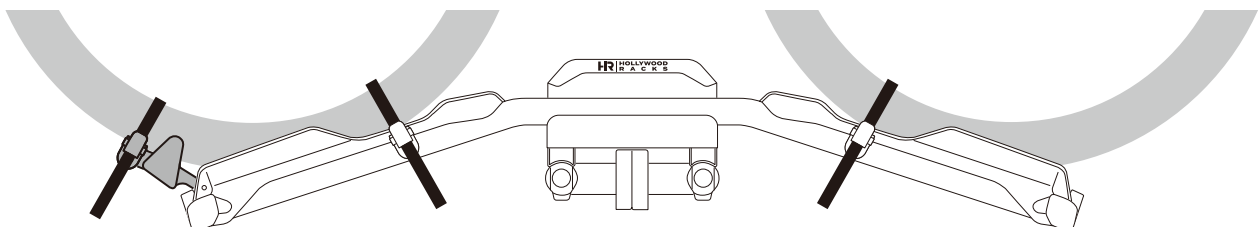
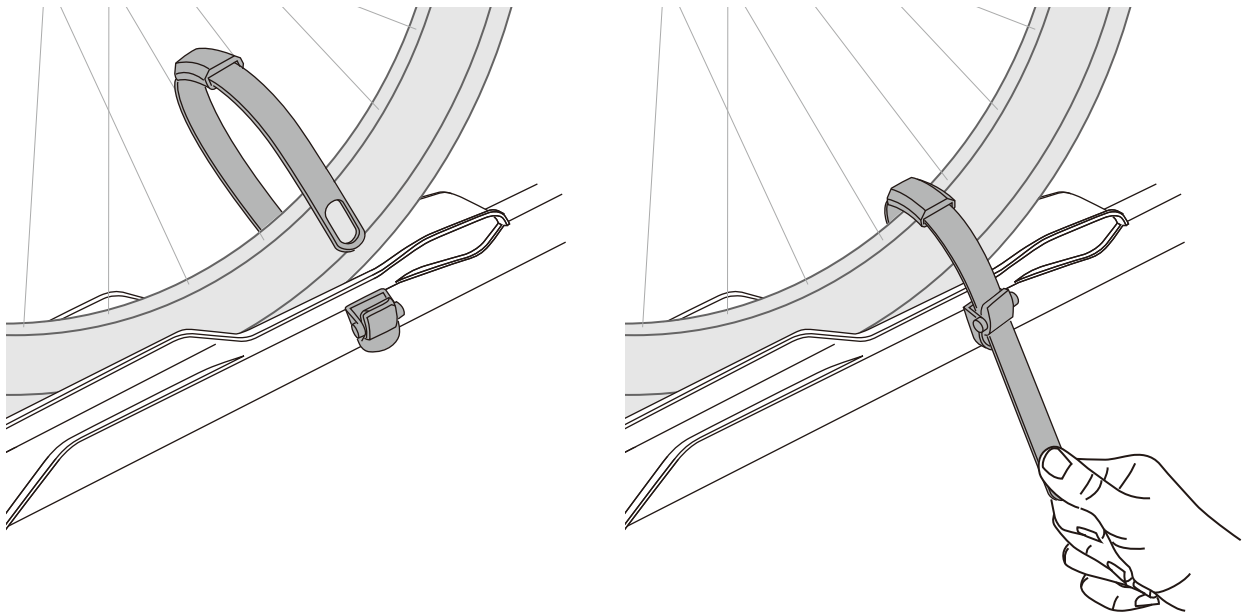


**MIN. dia 1"/25mm, MAX dia 2"/50mm**



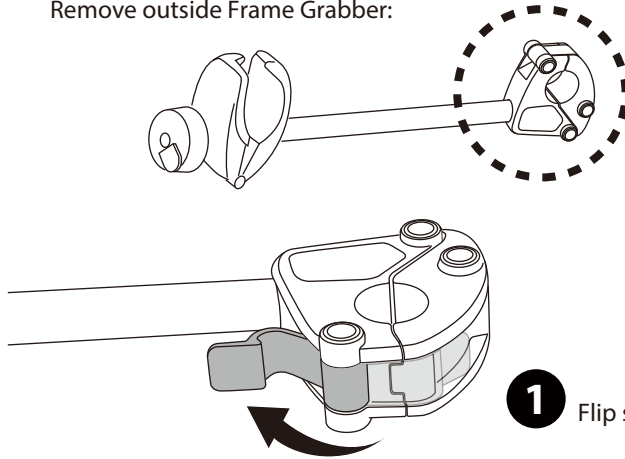
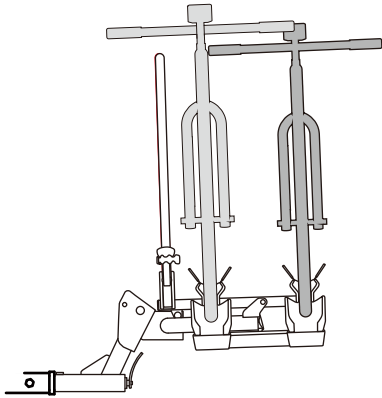
**Do not attach the frame grabber to carbon frames, carbon seat posts or non-round seat posts.**

- 6** Attach ratchet wheel straps - two to front tire, one to rear tire.



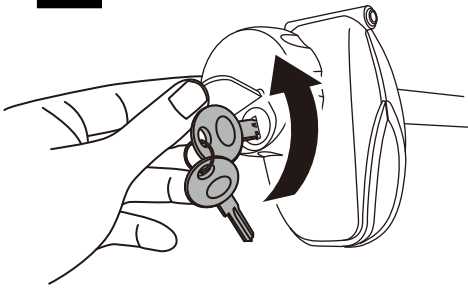
# INSTALLING THE OUTSIDE BIKE

Remove outside Frame Grabber:

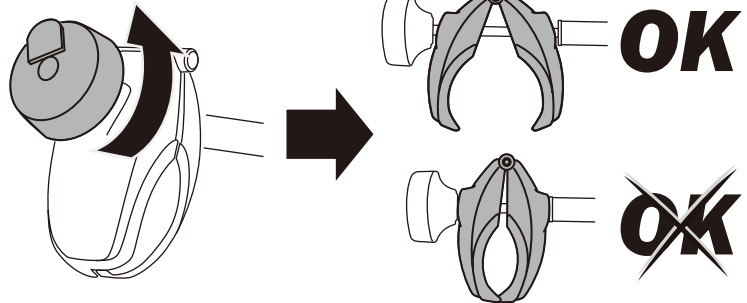


**1** Flip safety latch open.

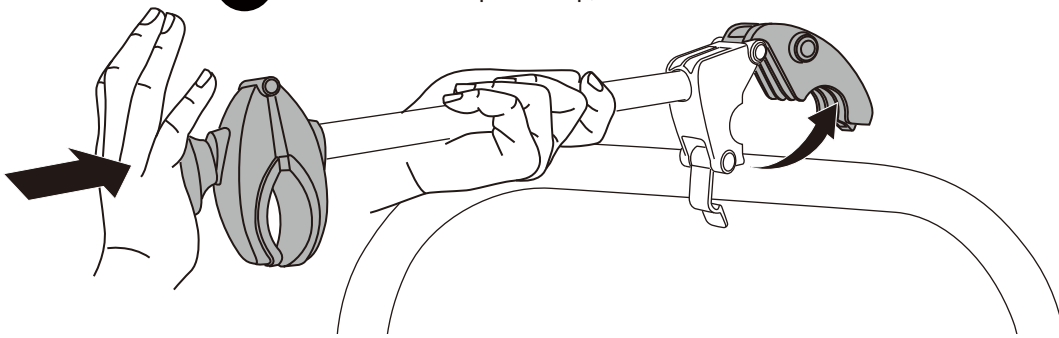
**2** Unlock knob.



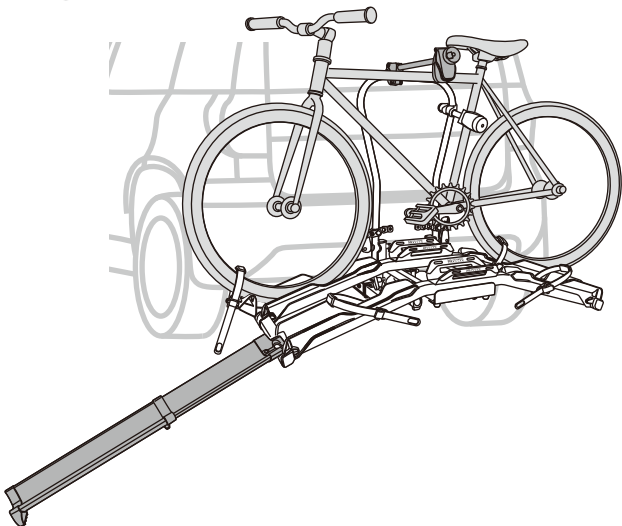
**3** Spin knob so frame grabber jaws open.



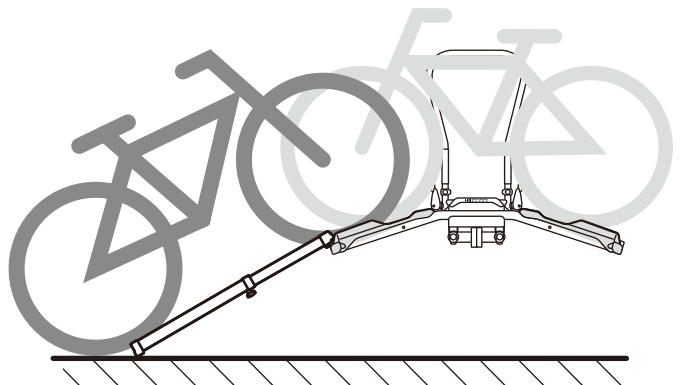
**4** Push on knob to open clamp, then remove from bar.



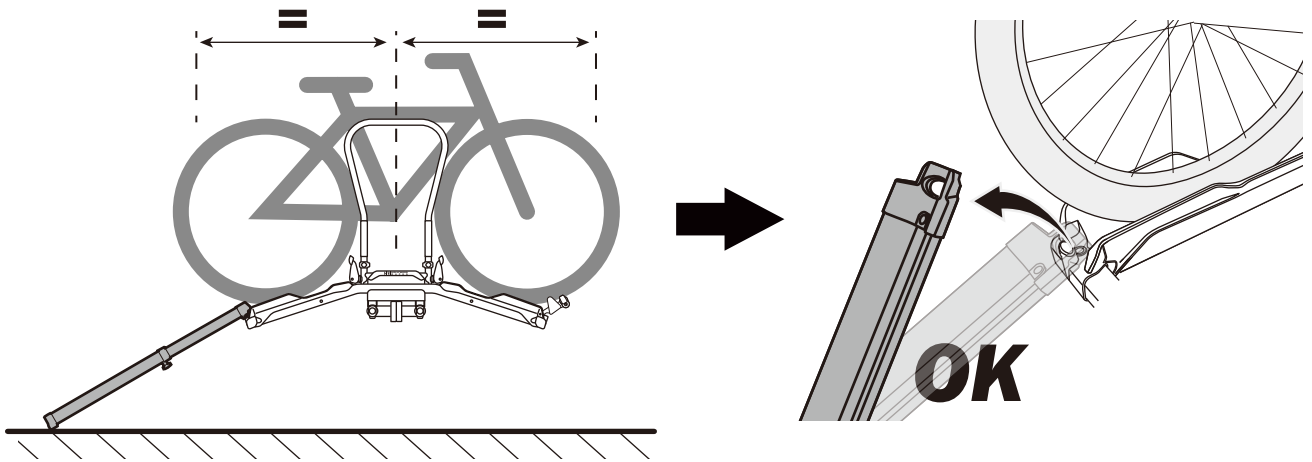
**5** Attach ramp.



**6** Load bike.

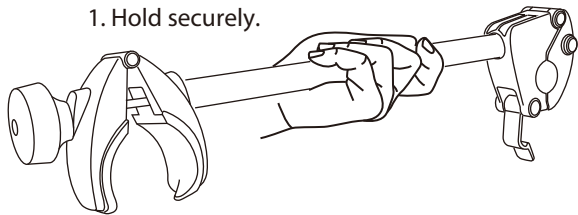


Be sure that bike is properly balanced. Rear tire must not interfere with ramp.

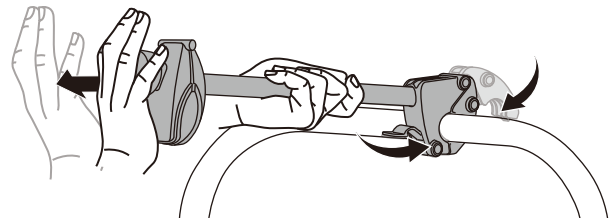


**7** Attach frame grabber to bar and bike.

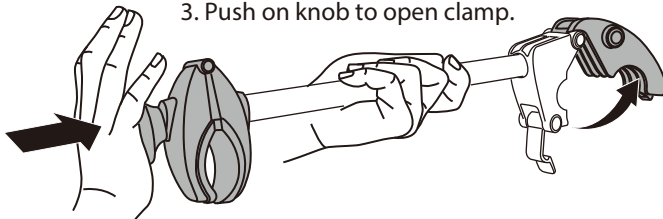
1. Hold securely.



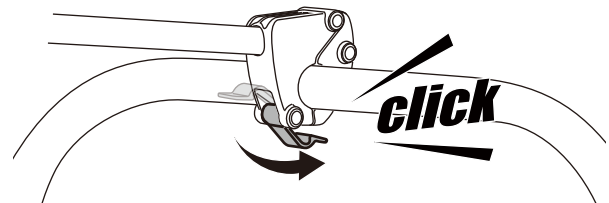
2. Attach clamp to bar and pull knob to close.



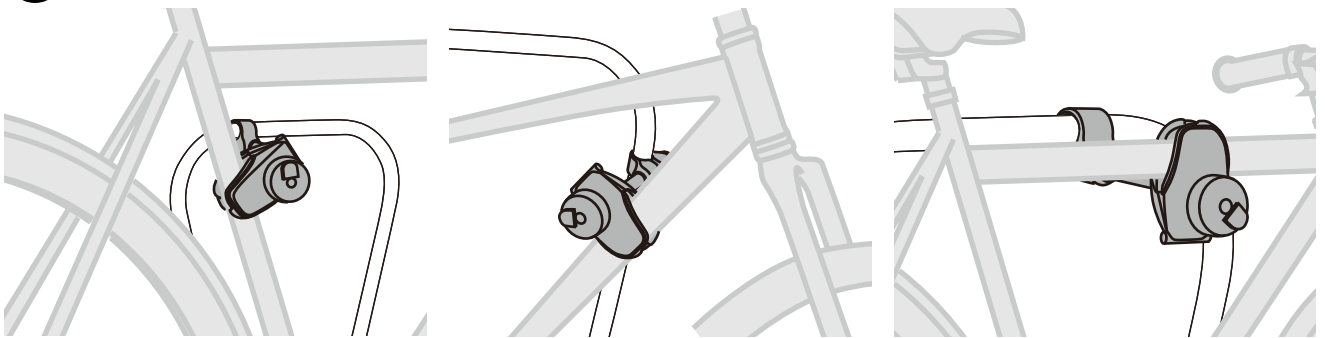
3. Push on knob to open clamp.



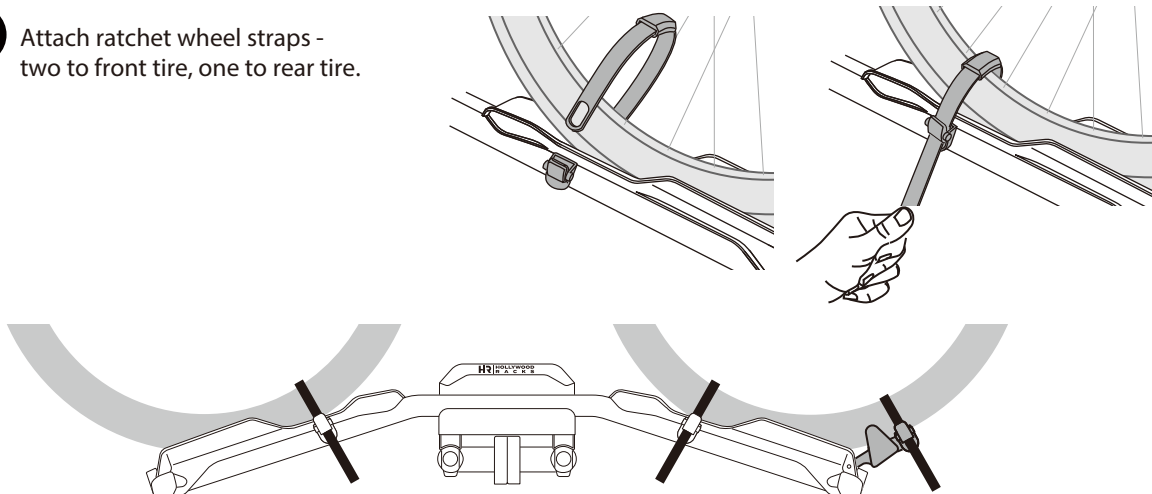
4. Attach safety clip.



**8** Attach frame grabber, tighten knob & lock knob.



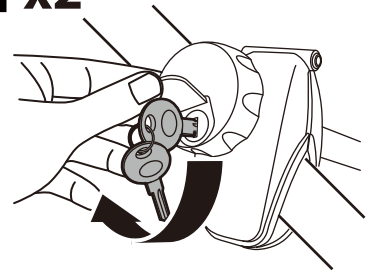
**9** Attach ratchet wheel straps - two to front tire, one to rear tire.



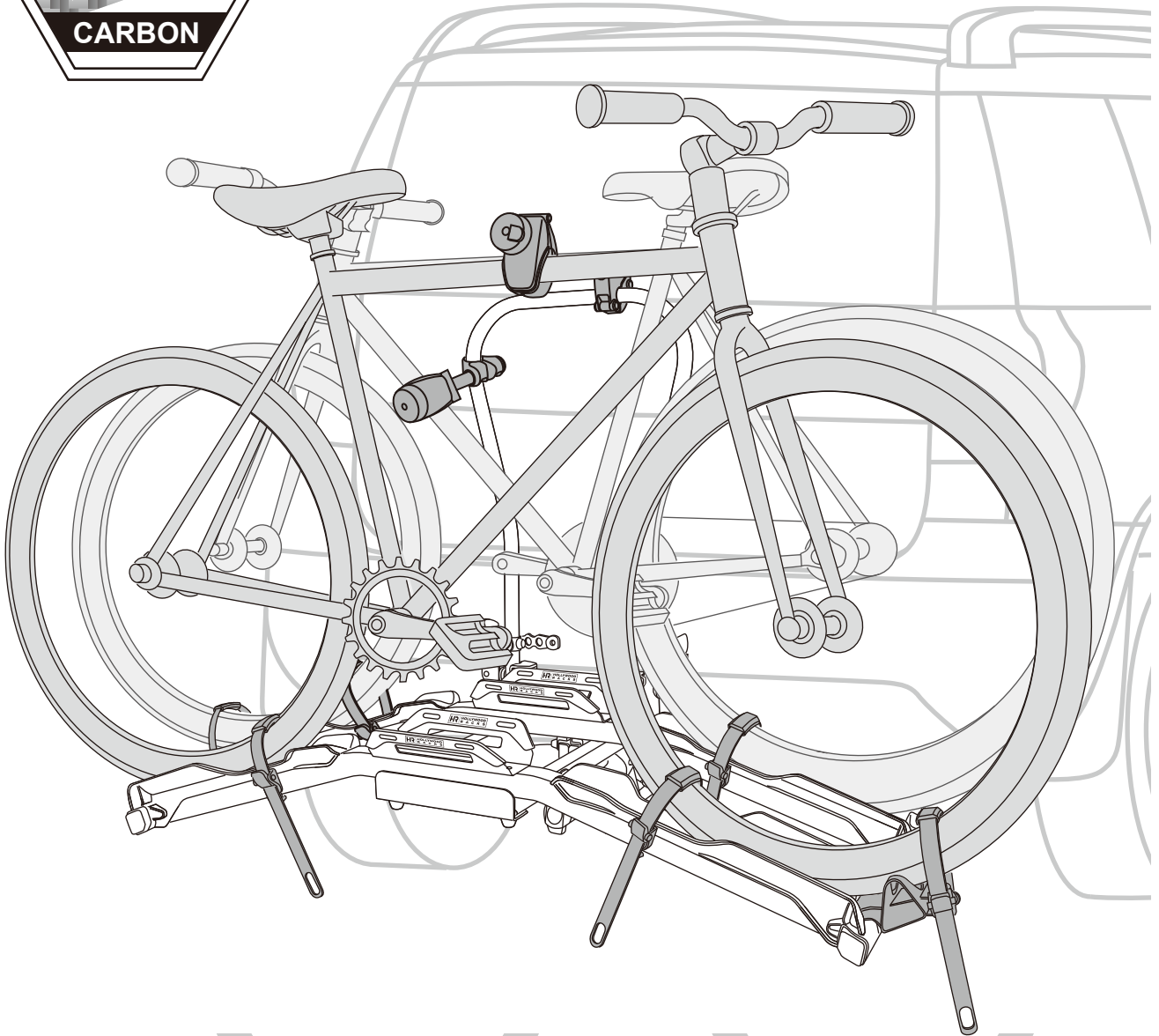
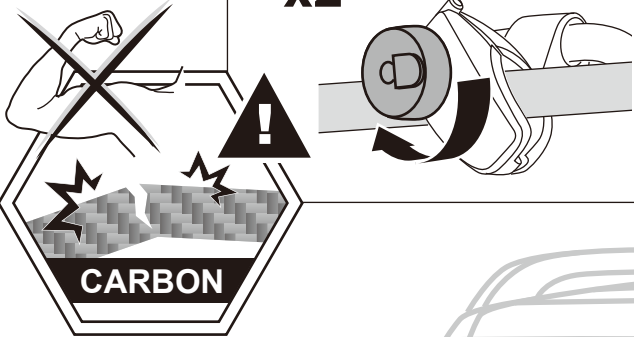
1st.



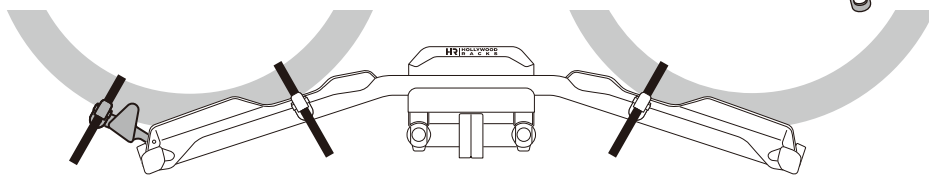
2nd.



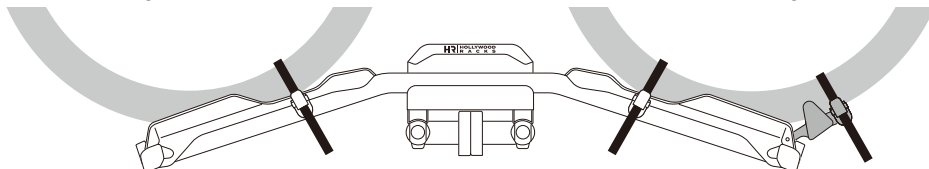
x2



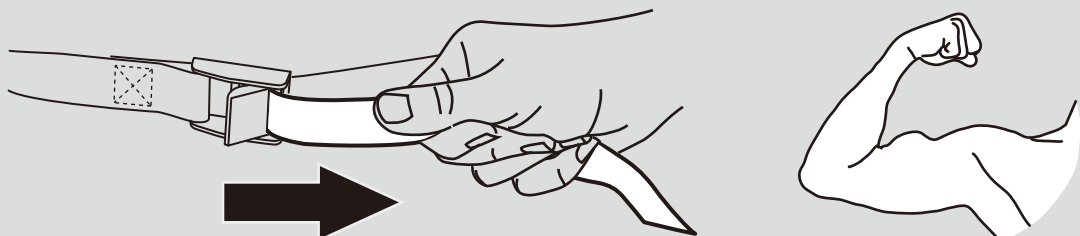
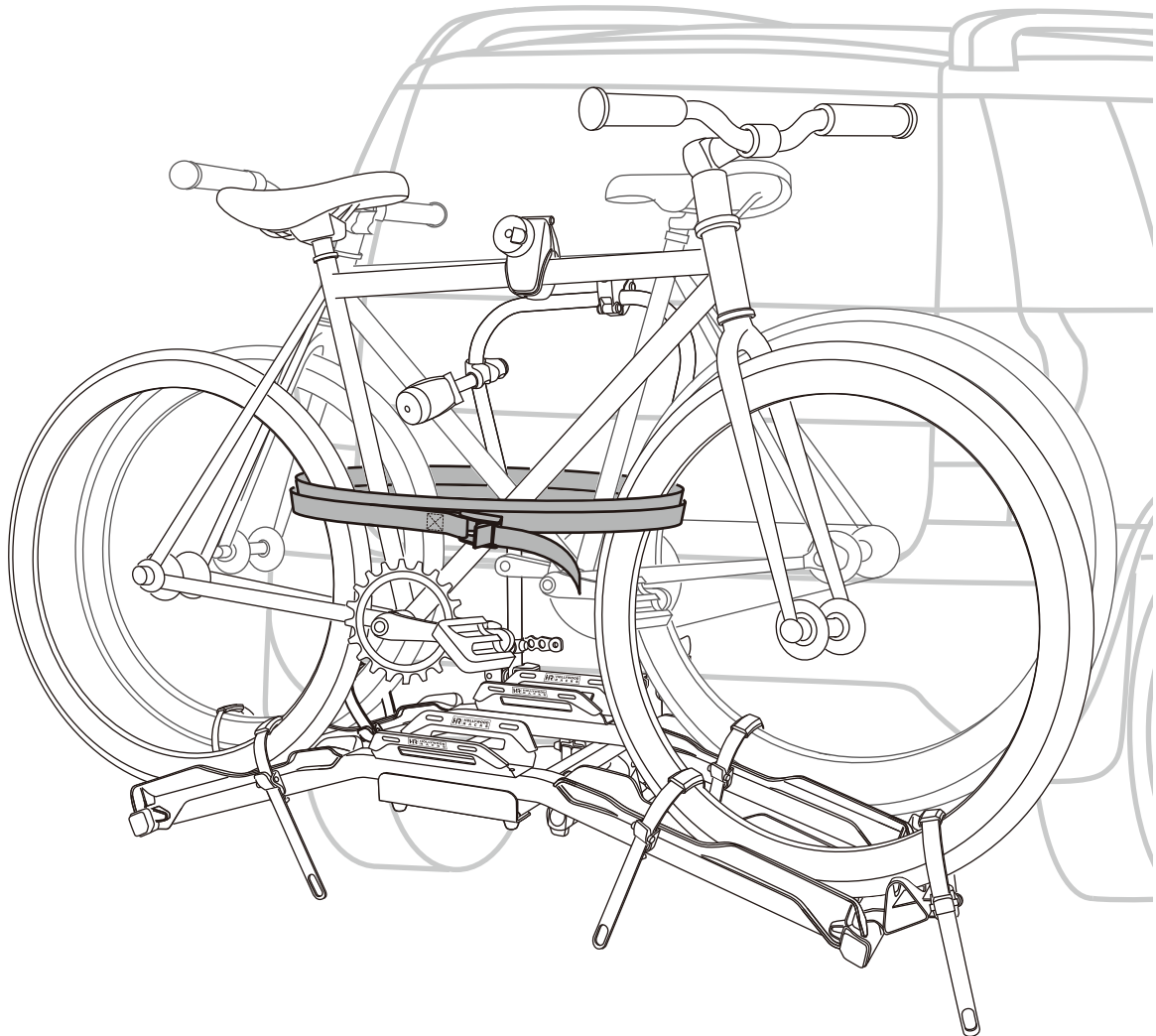
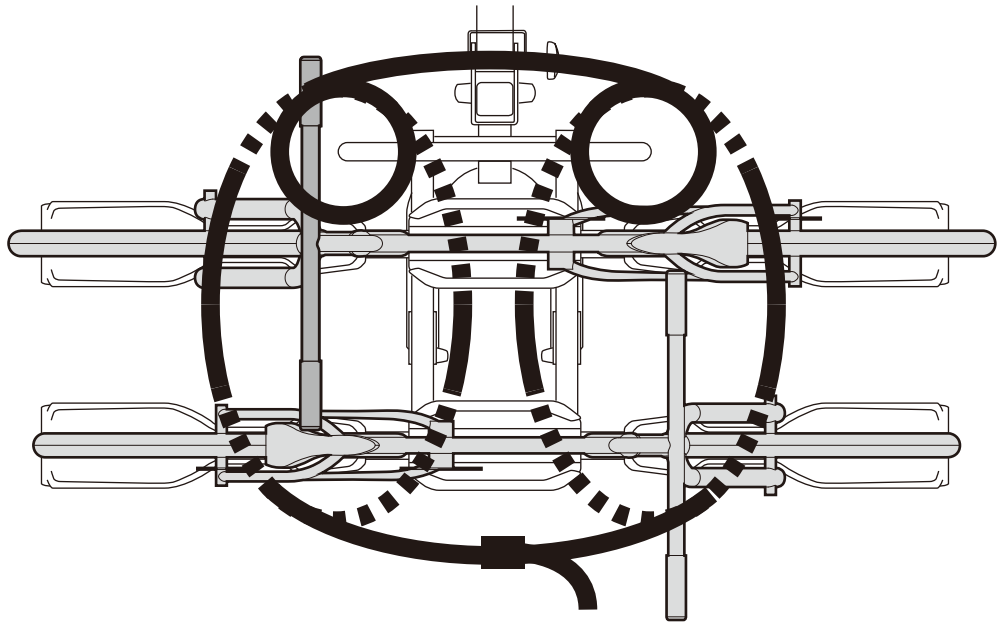
1st bike



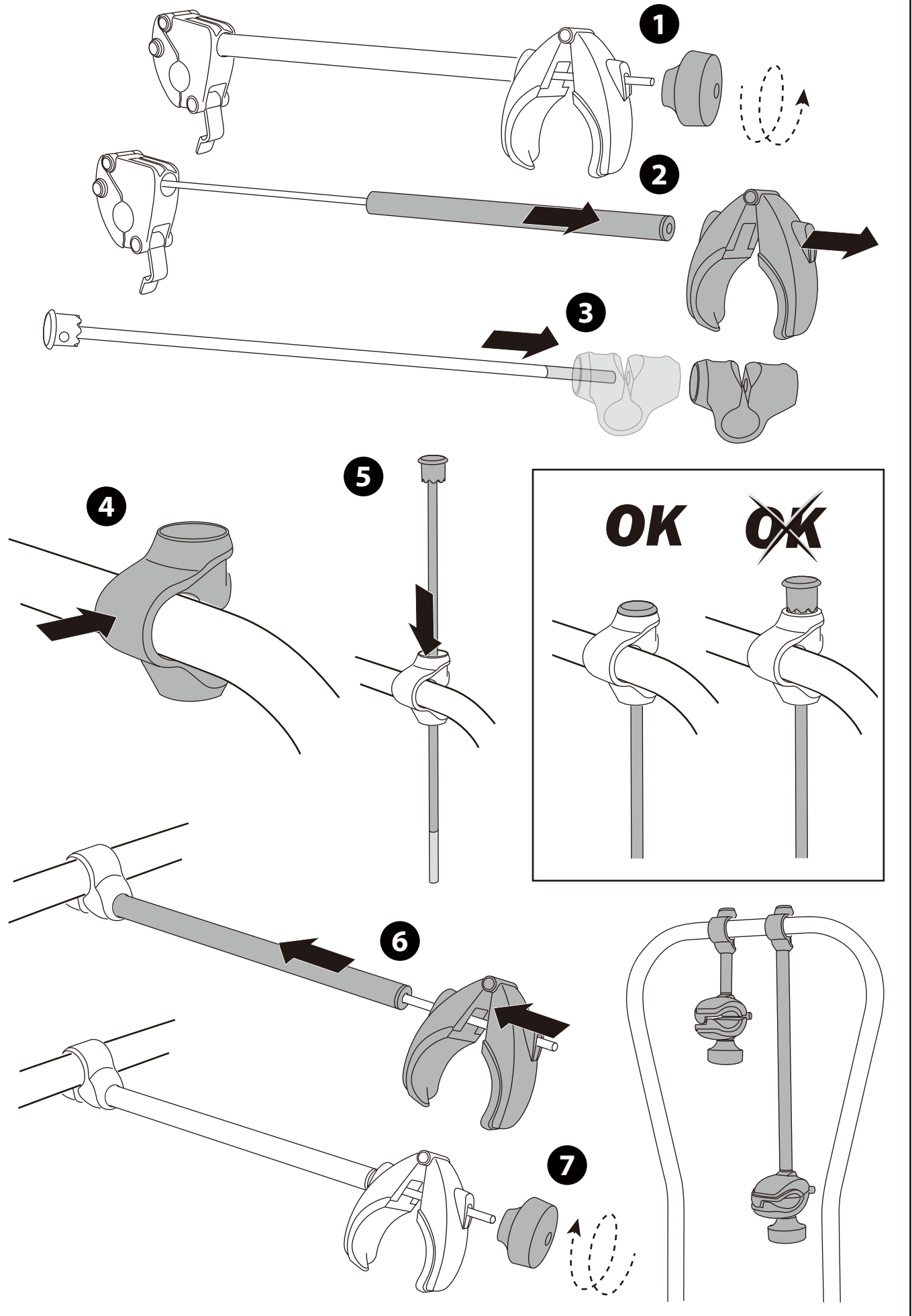
2nd bike



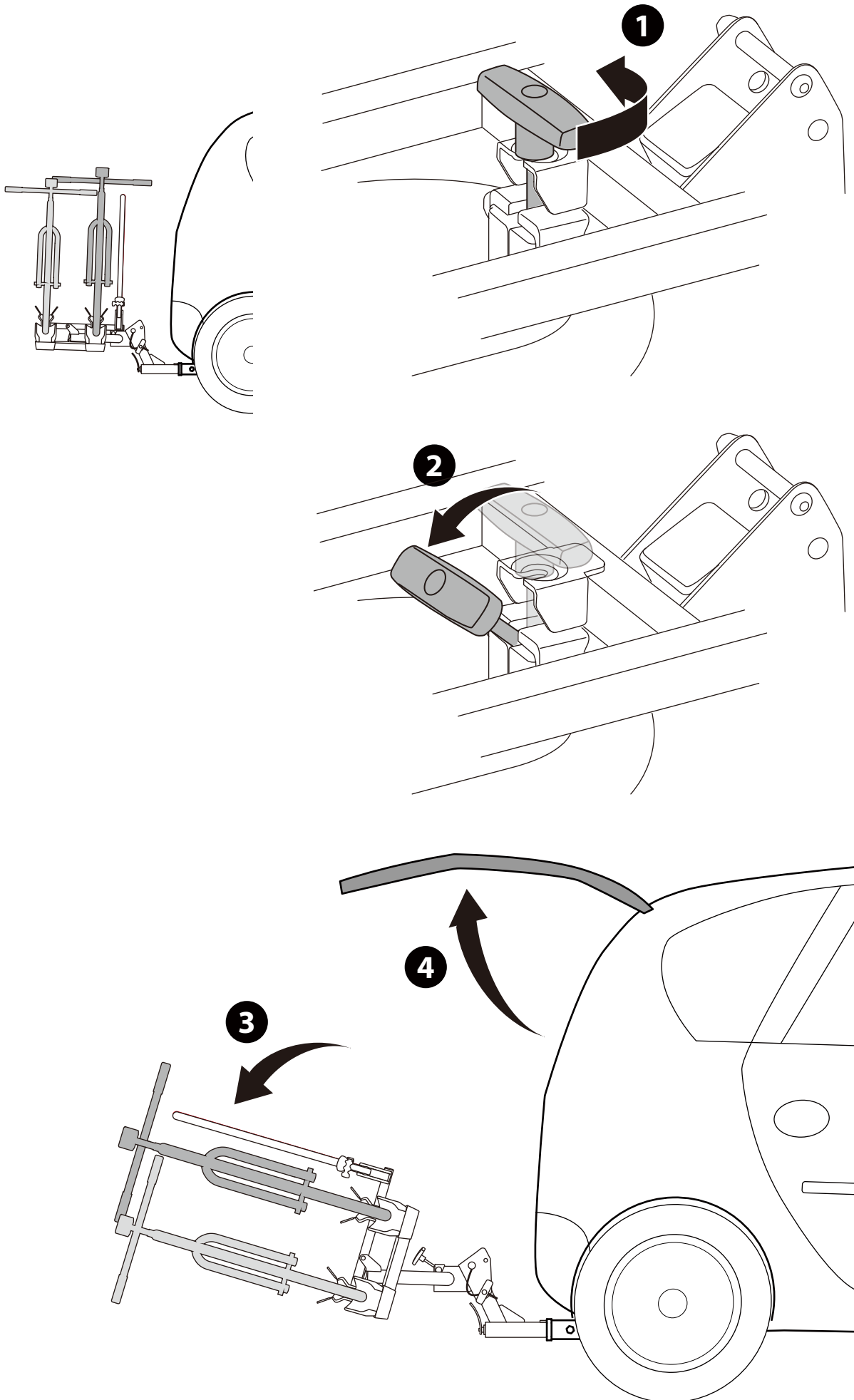
# Attach red safety tie-down strap



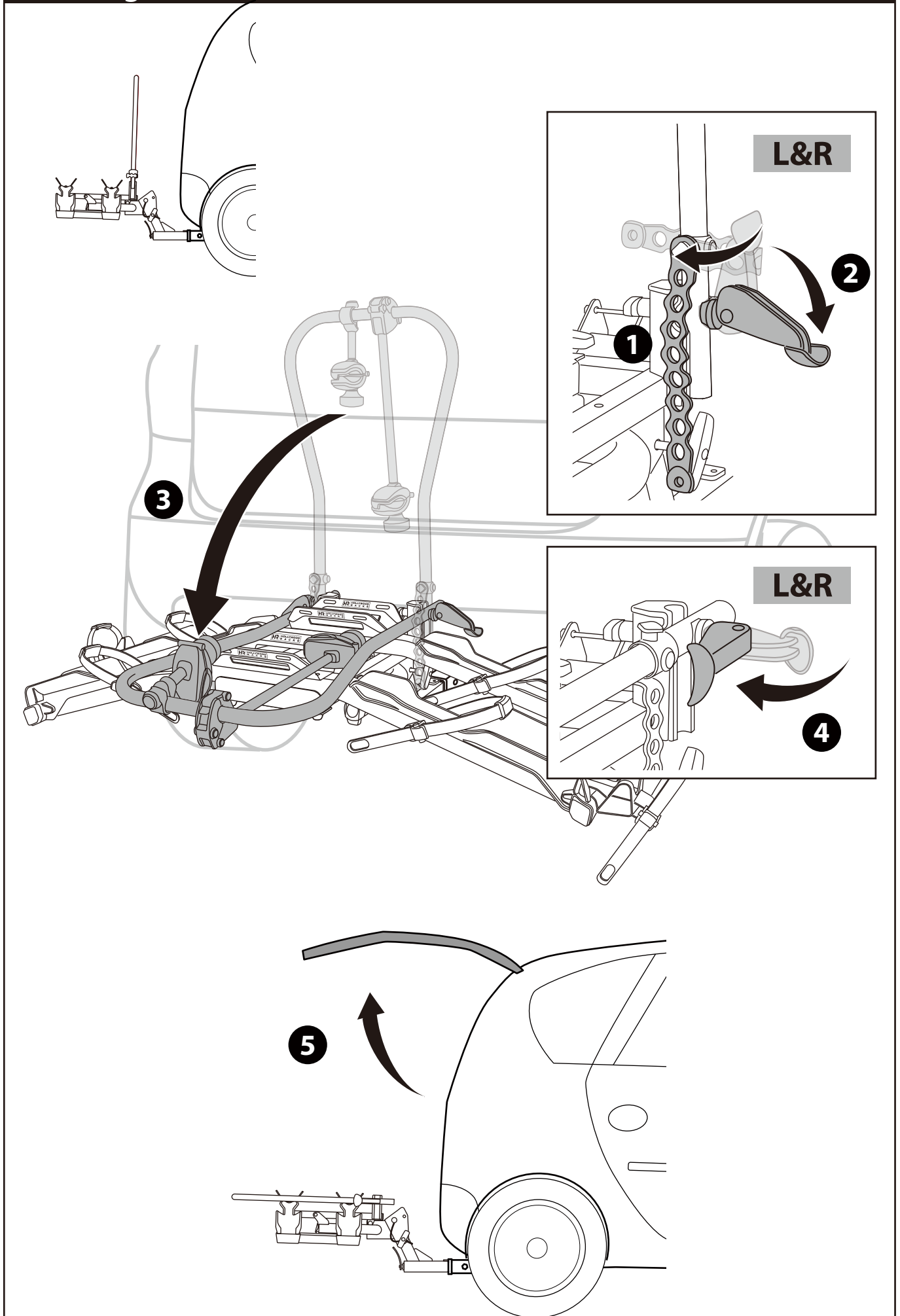
# Installing non-removable bolt for outside bike frame grabber



# Tilting rack down with bikes

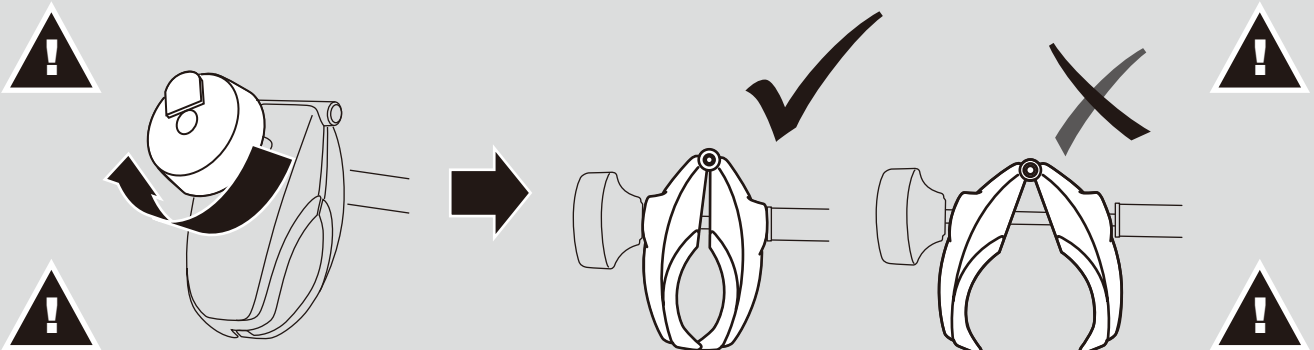
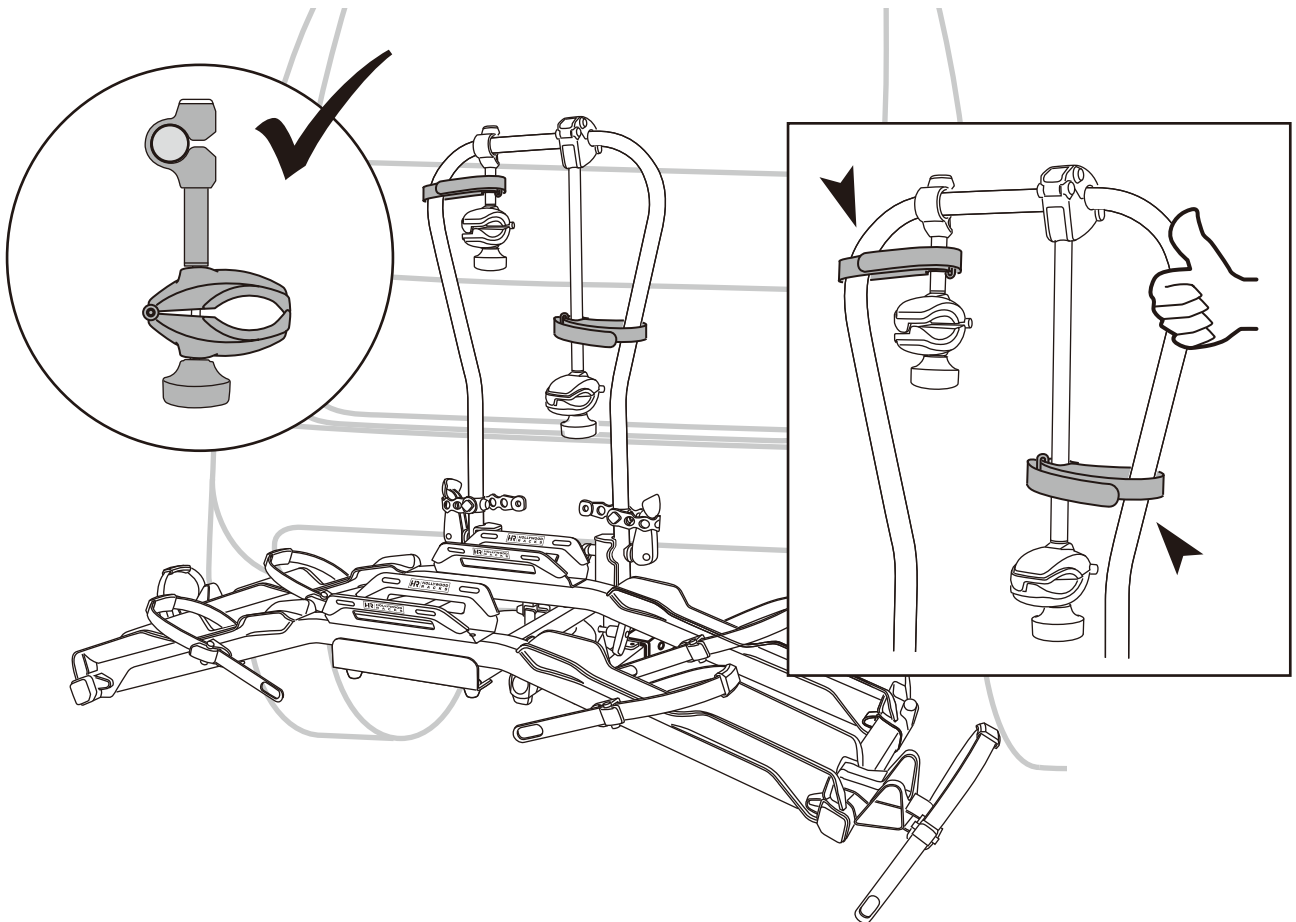
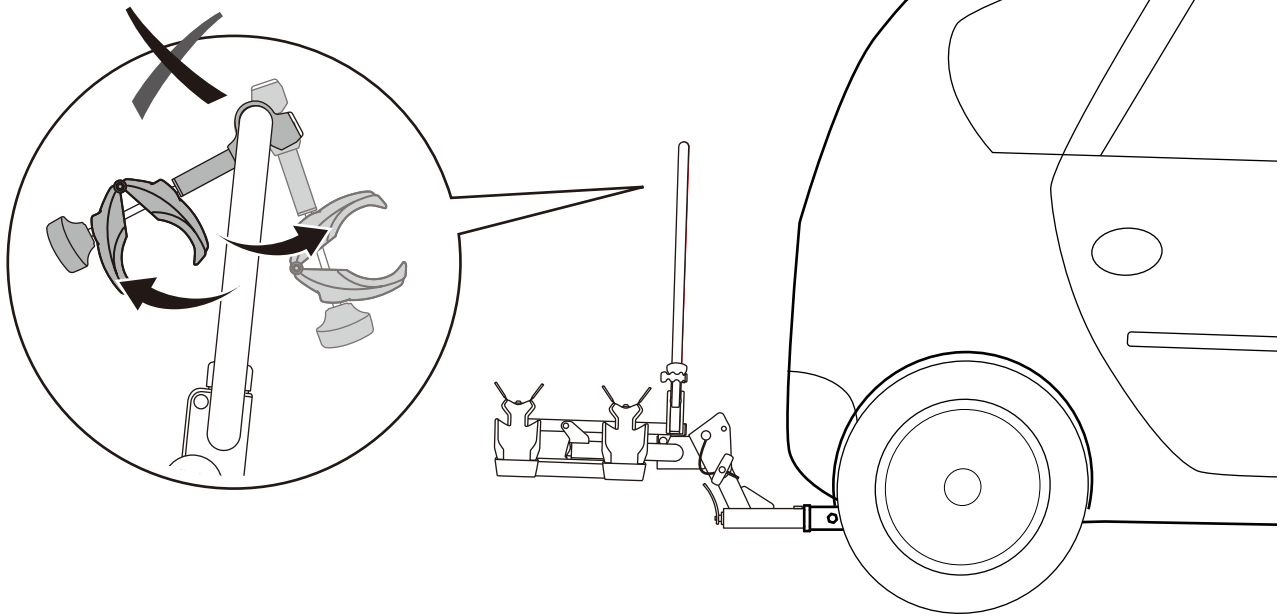


# Gaining access to vehicle's trunk when no bike mounted

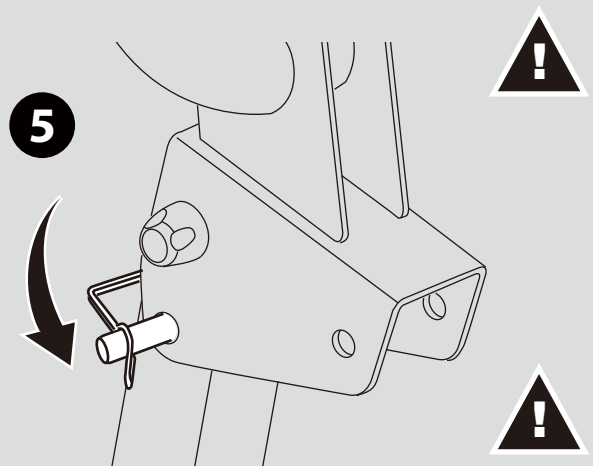
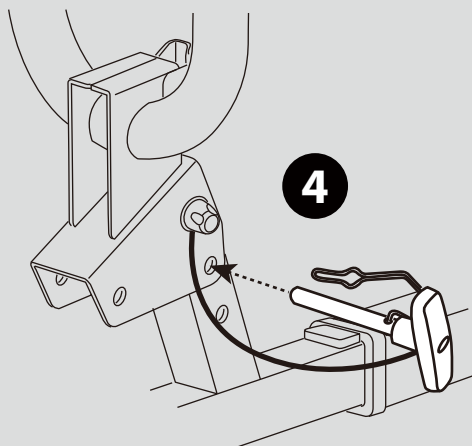
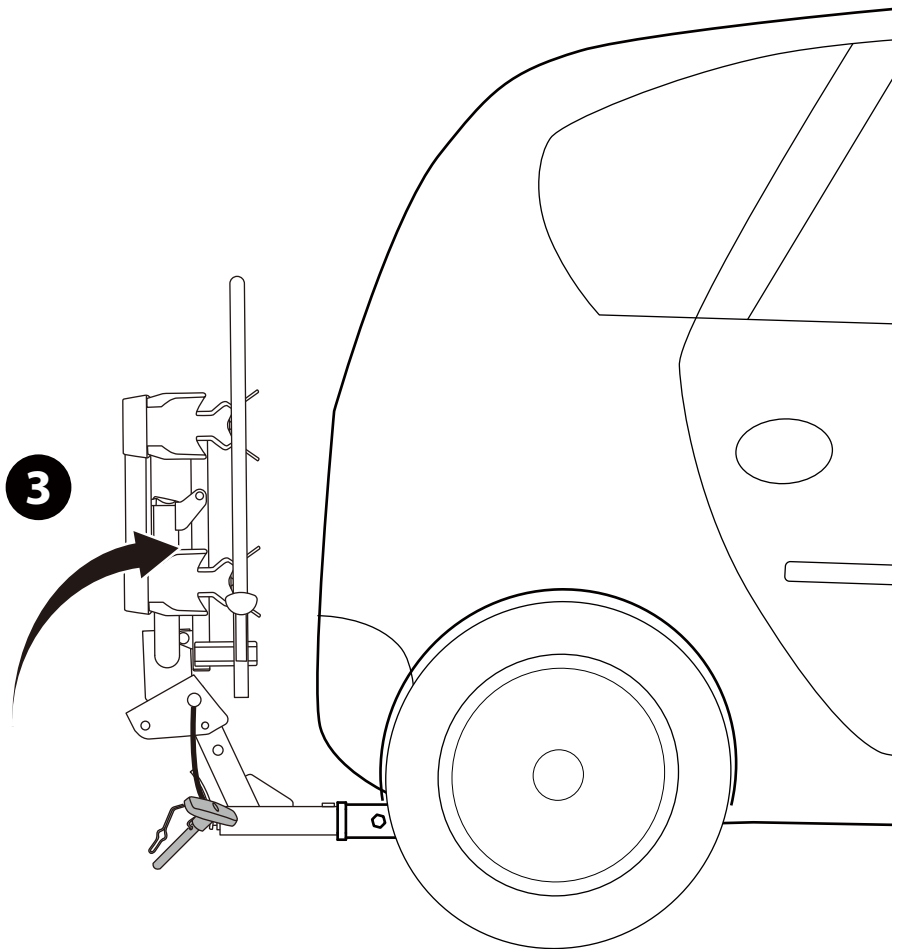
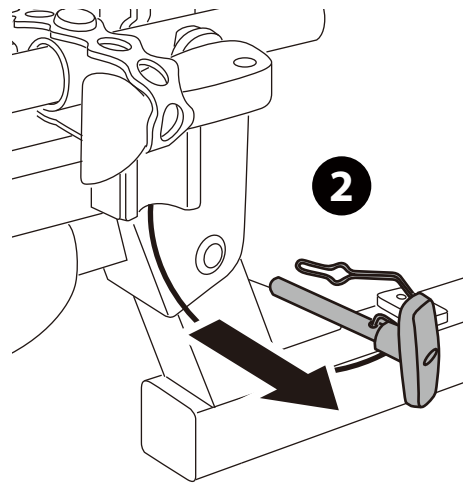
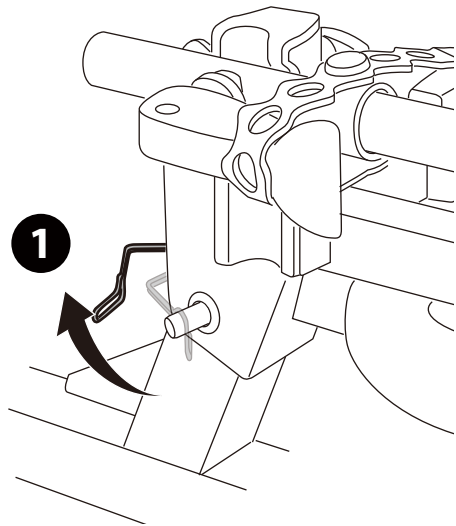




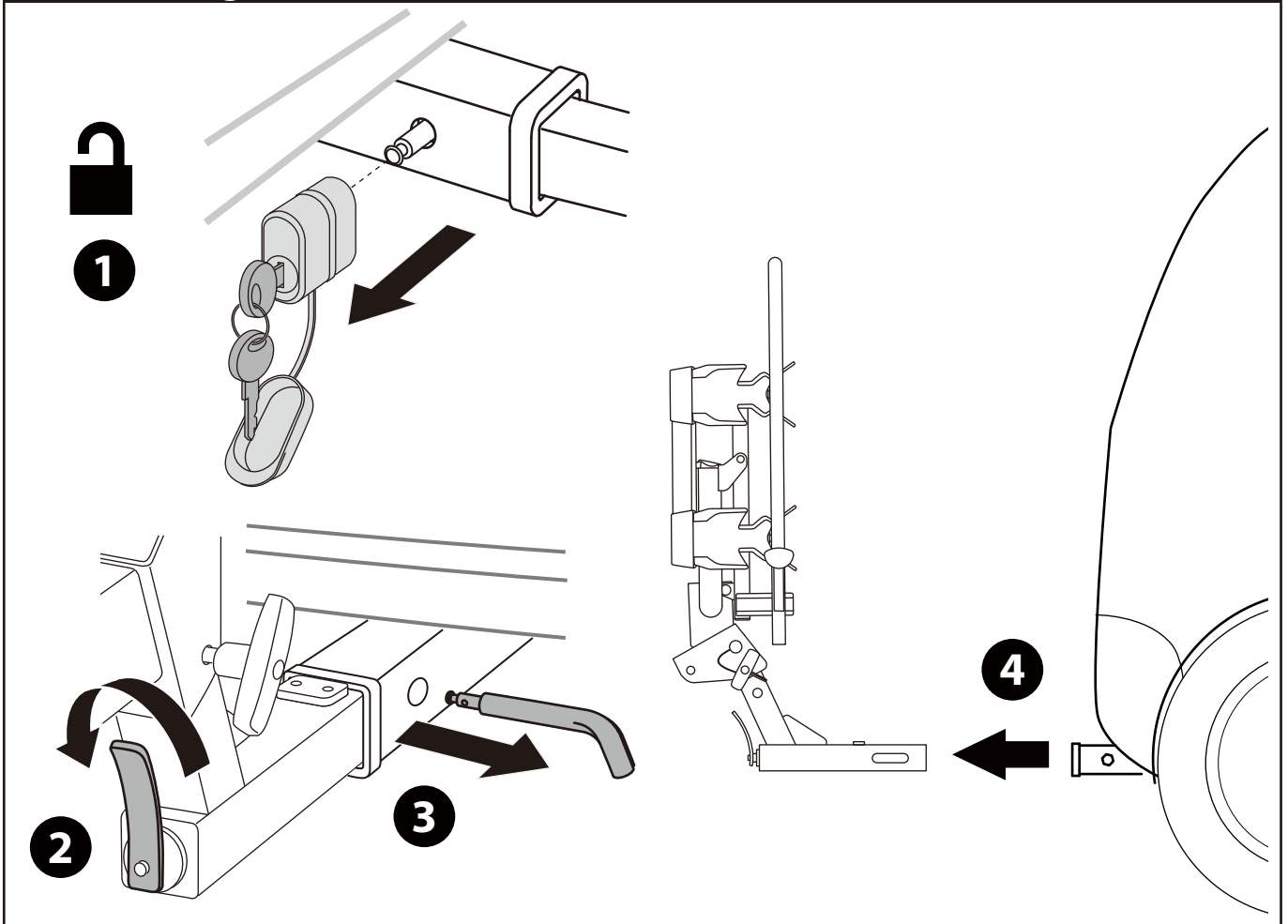
# Securing frame grabbers to rack



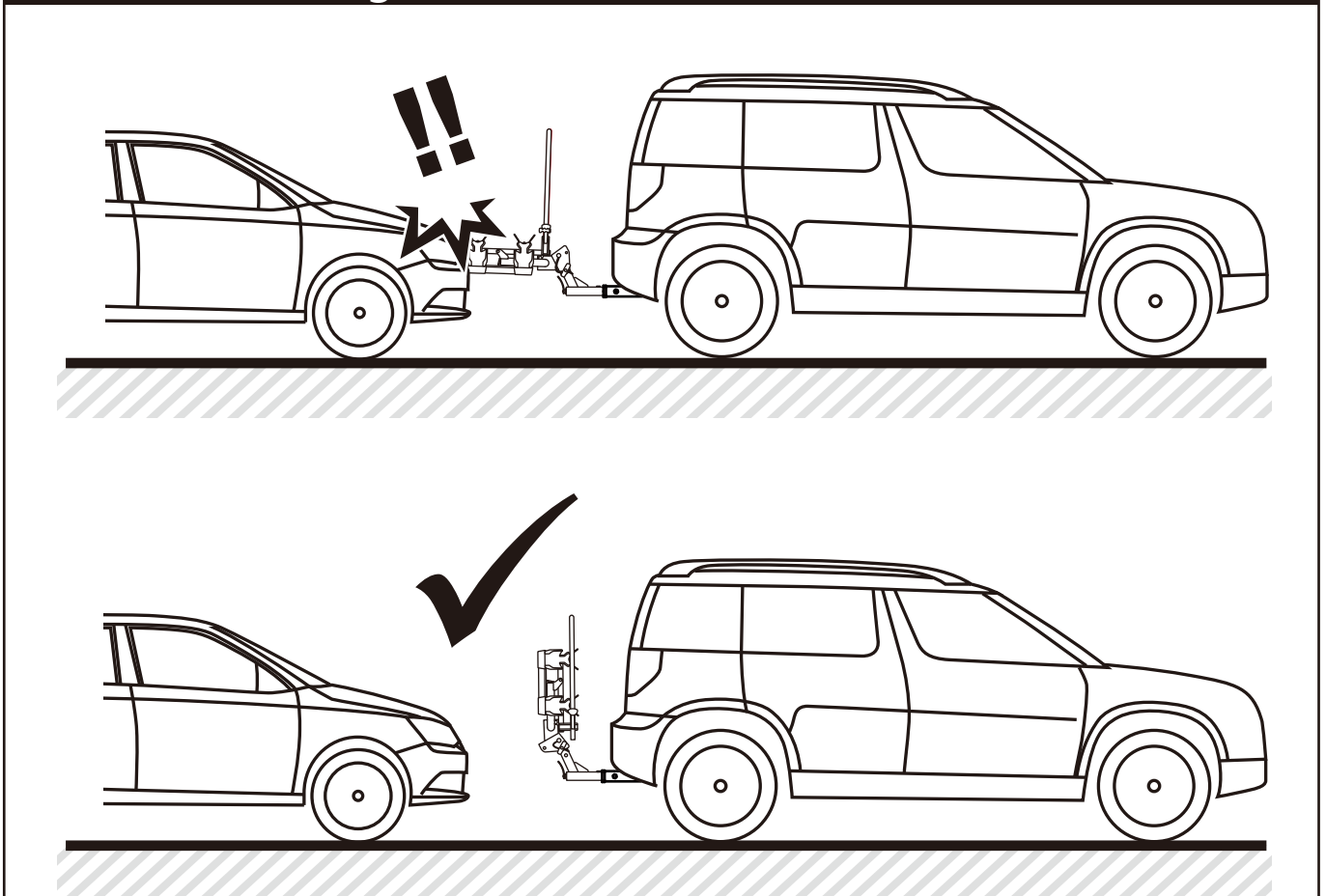
# Folding rack back against the vehicle

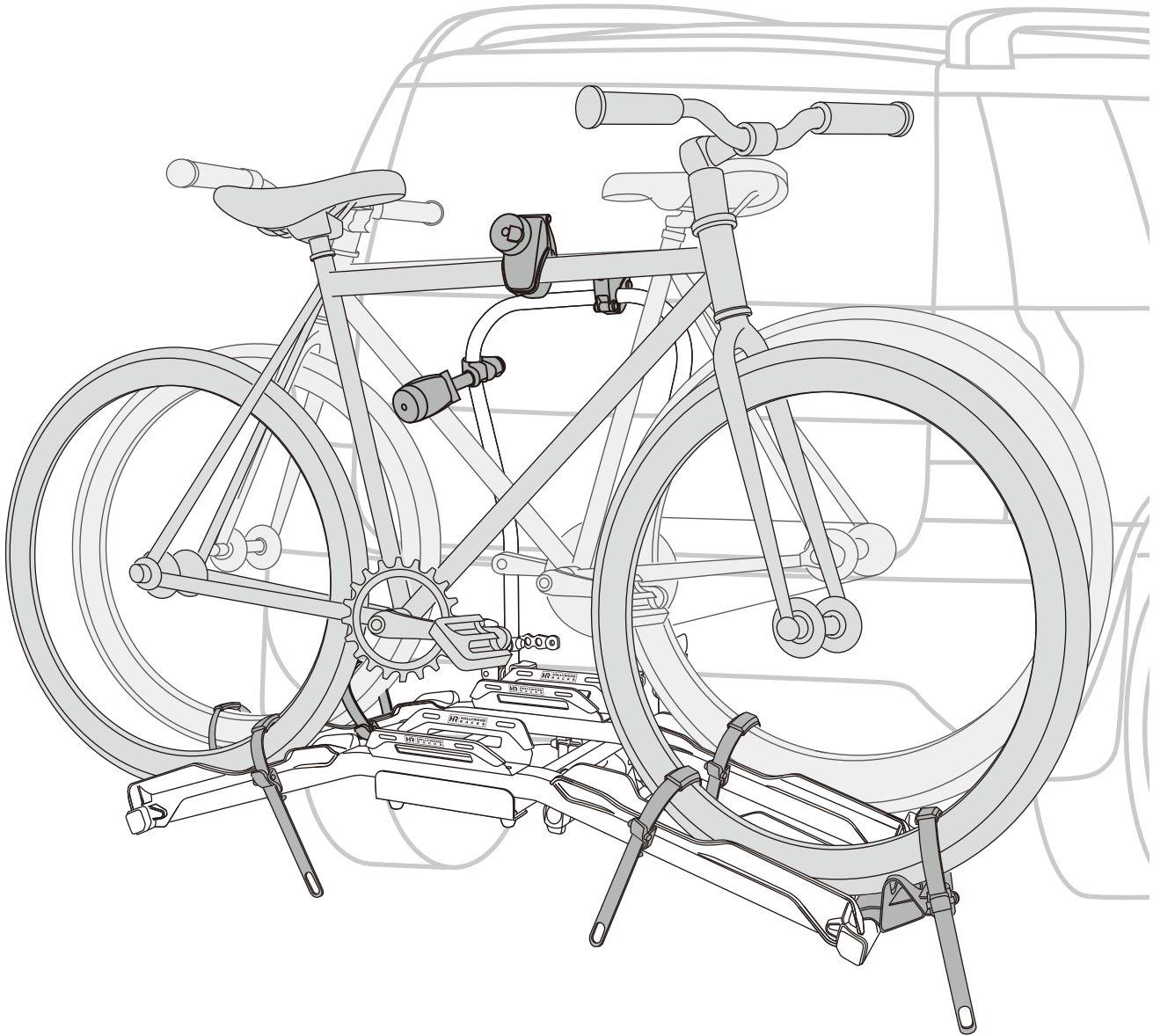


## Removing rack from vehicle



## Fold rack back against vehicle when bikes are not mounted





**Limited Lifetime Warranty (effective January 1, 2008):**

Hollywood Racks will warrant its car racks and accessories during the time that an original retail purchaser owns the product subject to the exclusions and limitations of this warranty. Hollywood Racks will remedy defects in materials and workmanship by repairing or replacing (at its option) a defective part without charge for labor or parts. Hollywood Racks may elect (at its option) to issue a refund equal to the purchase price paid for the product. This warranty does not cover problems caused by normal wear and tear including (but not limited to) weather, scratches, dents, rust, accidents, unlawful vehicle operation, misuse, abuse, neglect, theft, unauthorized modifications, or unauthorized repair. No warranty is given for defects resulting in incorrect assembly, incorrect installation onto the vehicle, installation on a "no fit" vehicle, incorrect attachment of bicycles onto the rack, or overloading of the rack's weight restrictions. This warranty terminates if the original retail purchaser transfers the product to any other person. If a product is believed to be defective, the original retail purchaser should contact either the original retailer or Hollywood Racks directly at 800-747-4085 or at [info@hollywoodracks.com](mailto:info@hollywoodracks.com)

**Disclaimer of Liability:** Repair or replacement of a defective product or the issuance of a refund or credit (as determined by Hollywood Racks) is a purchaser's exclusive remedy under this warranty. Damage to a purchaser's vehicle, cargo, bicycles and or to any other person is excluded. This warranty is expressly made in lieu of any and all other express warranties, whether oral or written. Hollywood Racks shall not be liable for any direct, indirect, consequential, incidental, special, punitive or any other damages in connection with the purchase, use or handling of this product. Some states do not allow the exclusion or limitation of consequential or incidental damages and the above limitation may not apply to you. This warranty gives you specific legal rights and you have other rights, which vary from state to state.

Hollywood Racks  
12812 South Spring Street Los Angeles, CA 90061 (800)747-4085 (310)516-8600 Fax(310)516-8955  
Customer Service Hours: 8:00AM~3:00PM PST [www.hollywoodracks.com](http://www.hollywoodracks.com) [info@hollywoodracks.com](mailto:info@hollywoodracks.com)  
HR4500 V1.1 01/2022