

DTR Series



BRASS TRICOCK VALVE

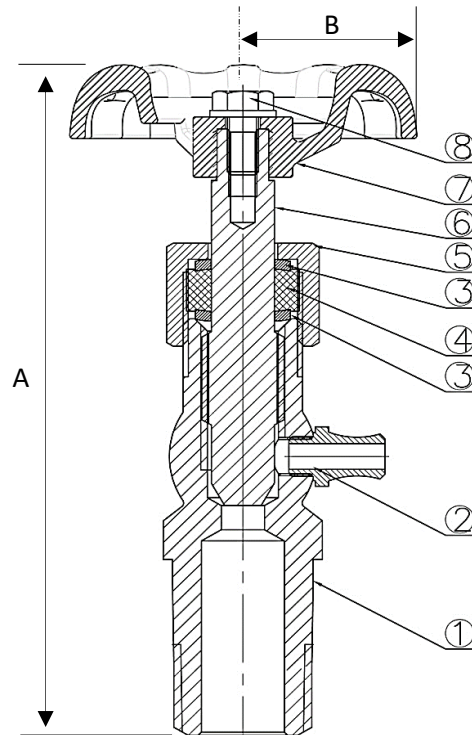


Specifications

- Brass Body
- 250 psi Max.
- MNPT Threaded End
- Sizes 1/2"
- Available in Long or Short Shank
- Steel Vented Hand Wheel
- 100% Leak & Pressure Tested

Item	Size	Shank	A	B	Weight
DTR-L	1/2"	Long	4.06"	1.06"	0.48 lbs
DTR-S	1/2"	Short	3.62"	1.06"	0.45 lbs

Ref#	Description
1	Brass Body
2	Nozzle
3	Packing
4	Brass Packing
5	Washer
6	Stem
7	Steel Hand Wheel
8	Screw



Ver.2306