

Railroads Organizer

LURR

Compatible with Ultimate Railroads

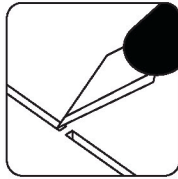
This box organizer is compatible with Ultimate Railroads.
This product is not licensed, and is up for change at any time in the future.



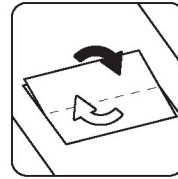
Assembly Guide



Watch our beginners guide videos on youtube. Just scan the QR code and get started!



Use an exacto knife to cut the bits connecting the parts to the frame.

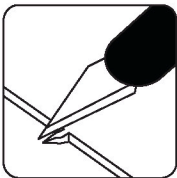


Remove the parts from the frame with a rotating motion along the axis formed by the bits you just cut.

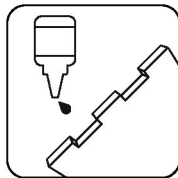


LASEROX

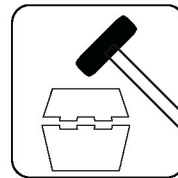
Use **wood glue** for assembly. If you encounter any issues, please contact us at info@laserox.net



Use the exacto knife to remove any of the remaining connection bits.



Most joints are press-fit, but some joints might require a drop of glue to ensure a strong bond.

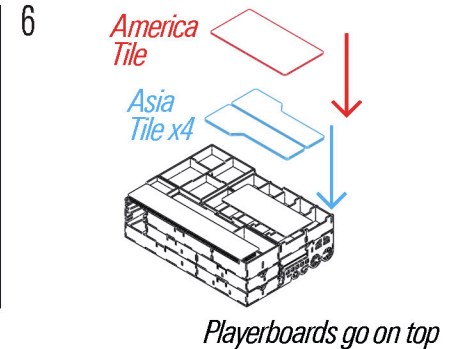
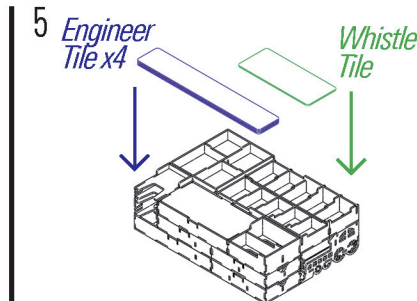
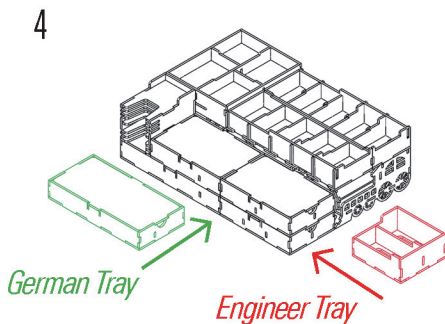
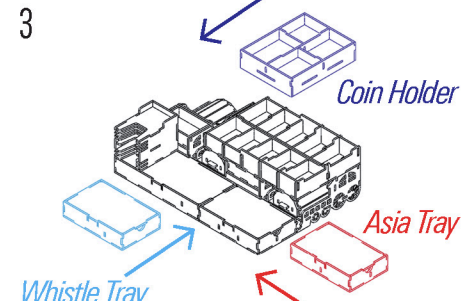
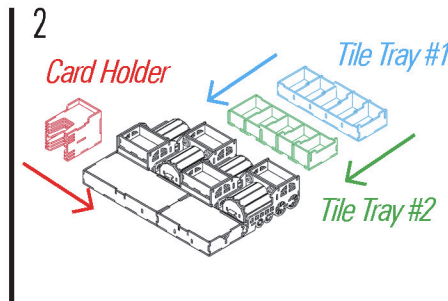
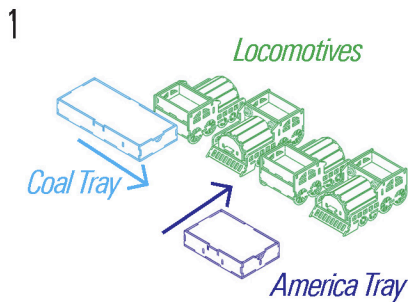


Press the parts together or use a hobby hammer with slight force for assembly.



WARNING Choking hazard!
Not for children under 3 years.

Box Assembly



Share your creation!



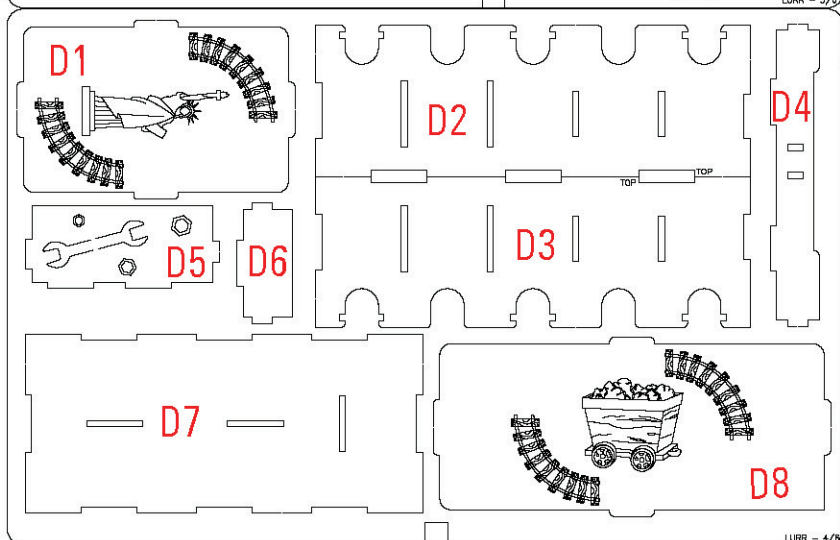
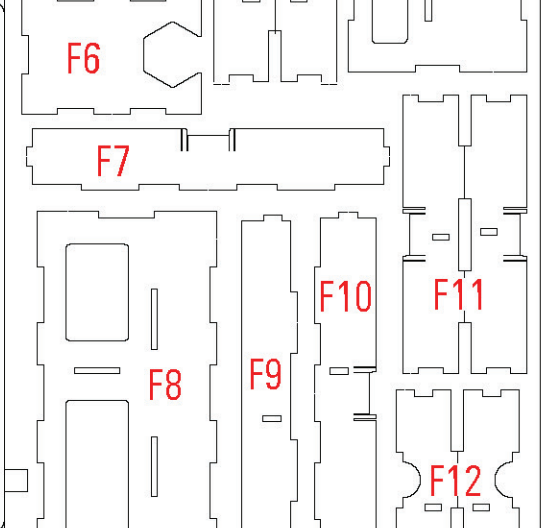
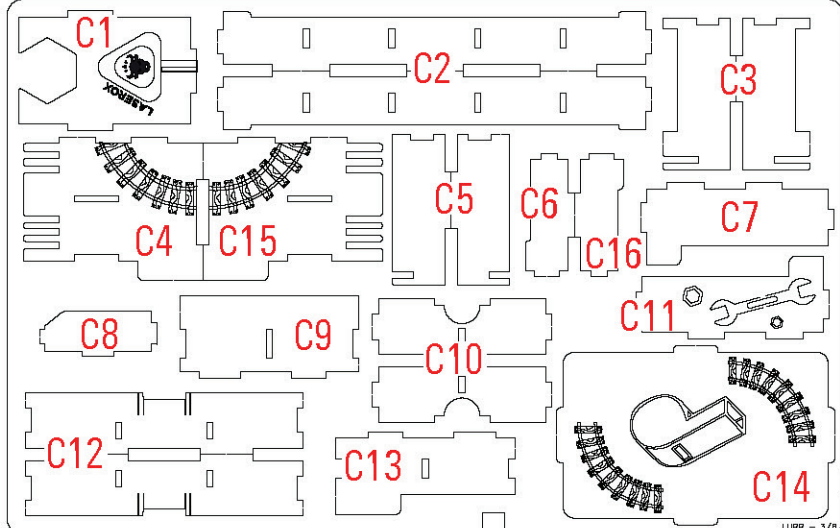
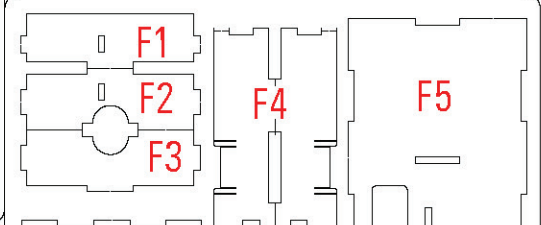
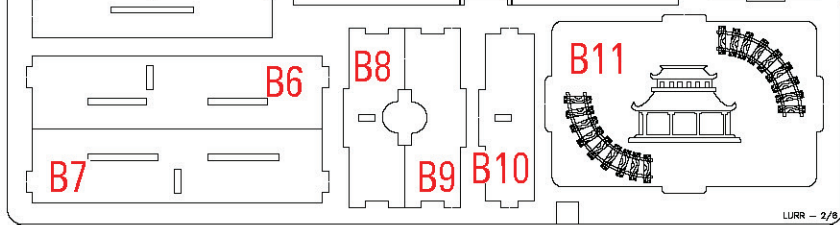
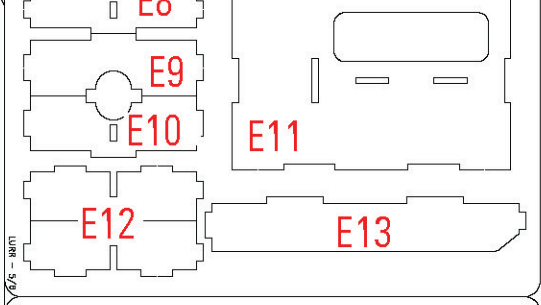
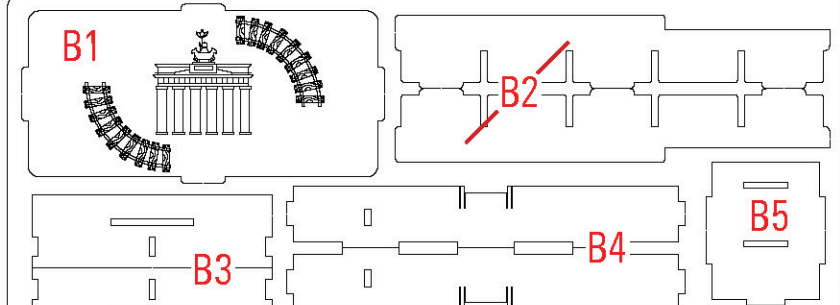
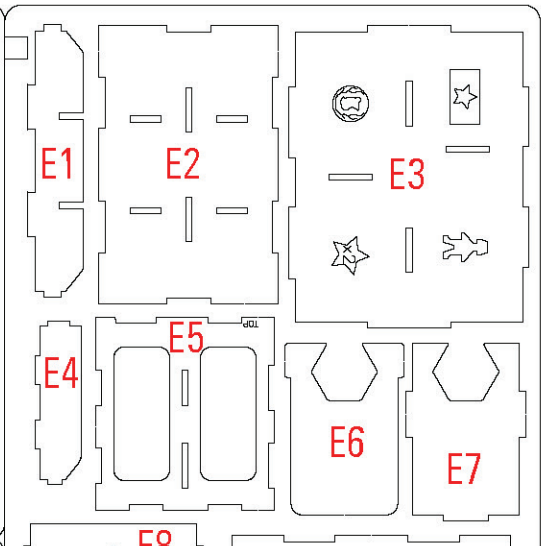
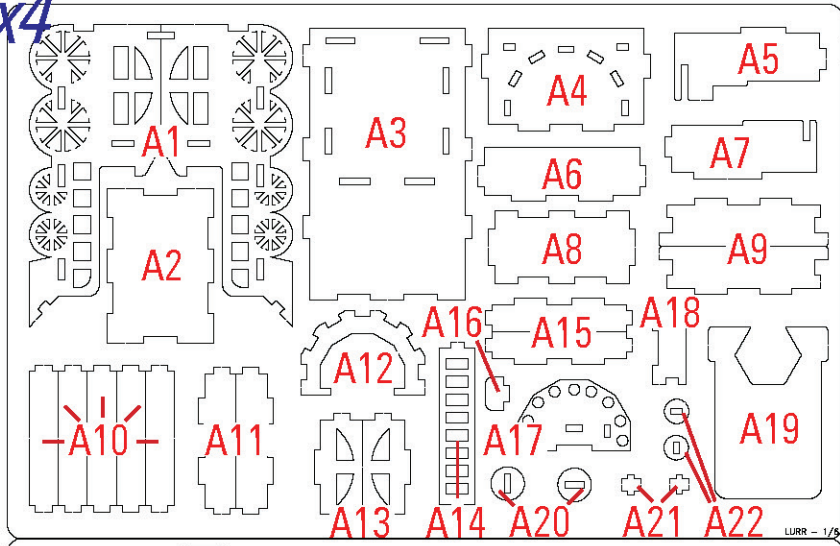
#laseroxinserts

Watch our "How it fits" video and get your game organized!



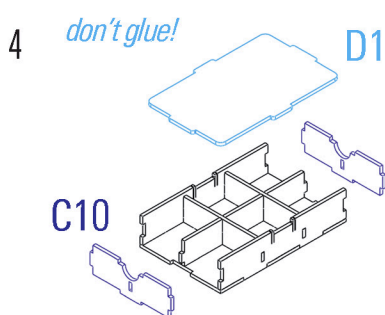
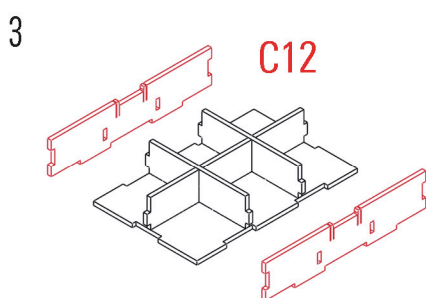
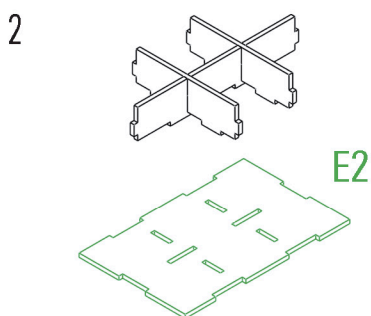
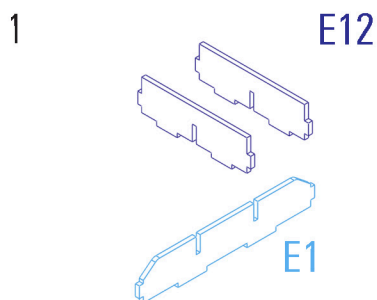
<http://tiny.cc/lrxurr>

x4



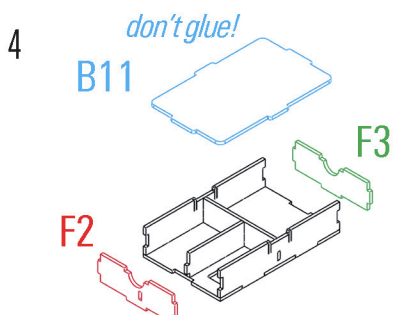
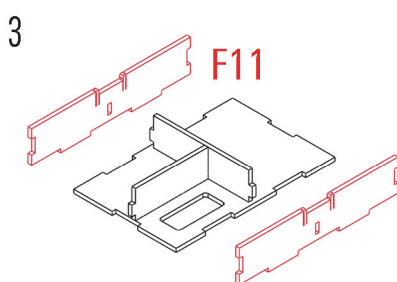
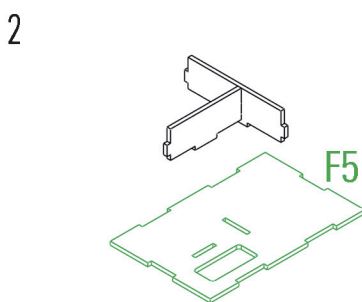
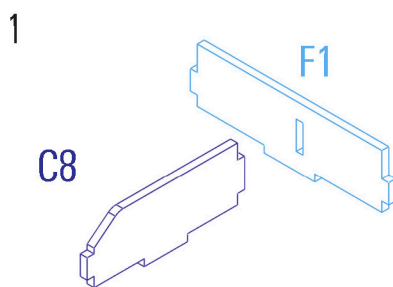
• Some parts might look different than in the assembly instructions, with added decorations/engravings/embellishments.
 • Color variations or branch marks are a natural part of the birch plywood.
 • The burnt smell of wood is natural and will dissipate with time.
 • Rarely the laser will not cut through the complete sheet, but this can be fixed with the help of a hobby knife. If that is not possible, please contact us for a replacement!

America Tray



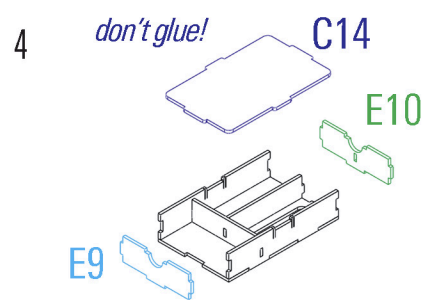
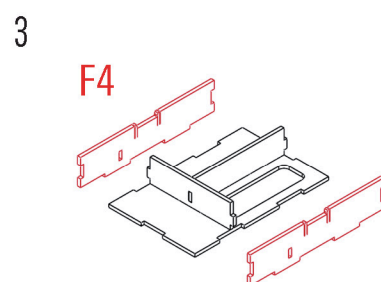
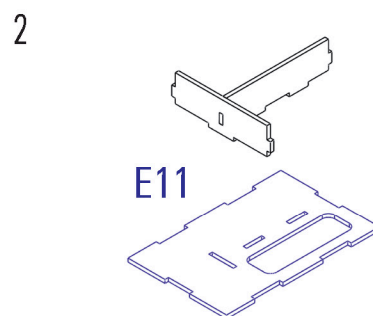
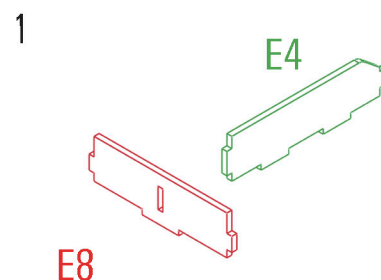
Required parts: **E1, E12x2, E2, C12x2, C10x2, D1**

Asia Tray



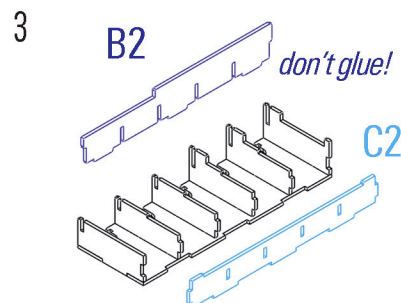
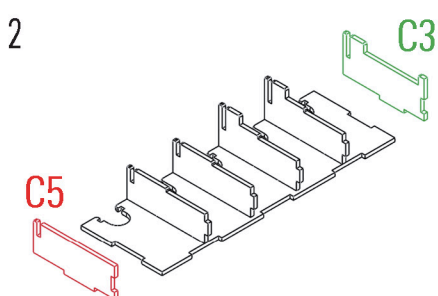
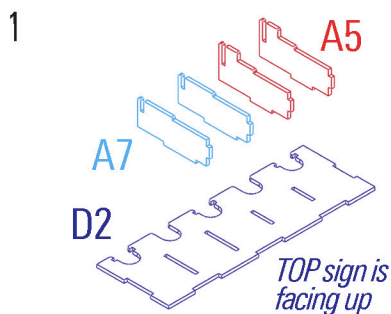
Required parts: **C8, F1, F5, F11x2, B11, F2, F3**

Whistle Tray



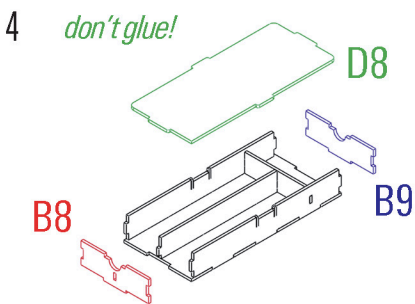
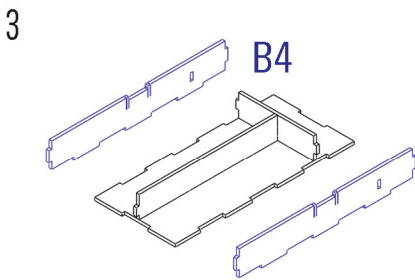
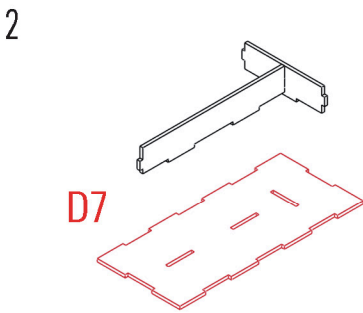
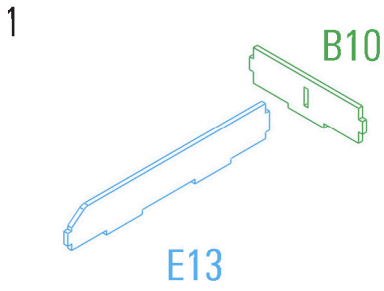
Required parts: **E4, E8, E11, F4x2, C14, E9, E10**

Tile Tray #1



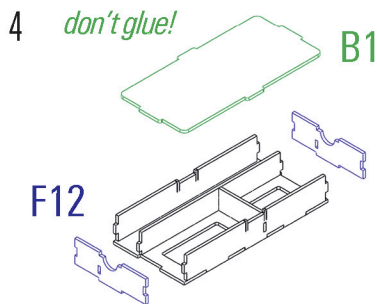
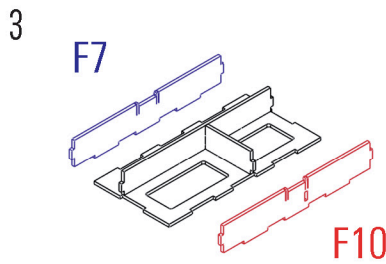
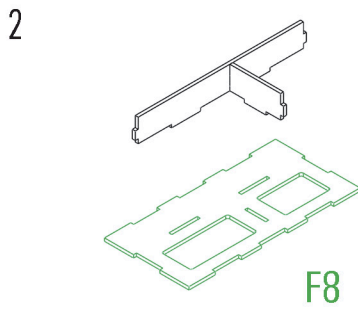
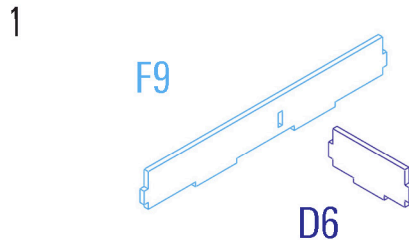
Required parts: **A5x2, A7x2, D2, C3, C5, B2, C2**

Coal Tray



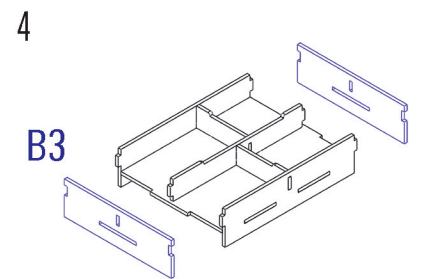
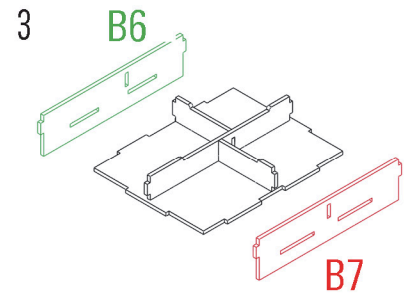
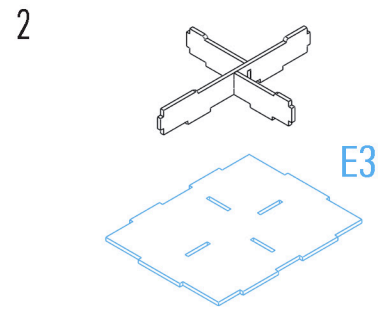
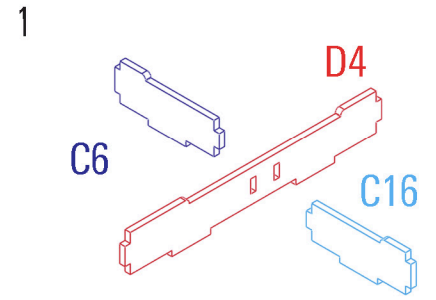
Required parts: **B10, E13, D7, B4x2, B8, B9, D8**

German Tray



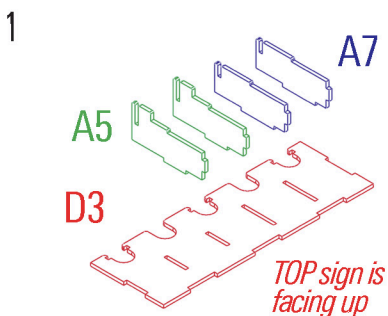
Required parts: **D6, F9, F8, F7, F10, B1, F12x2**

Coin Holder

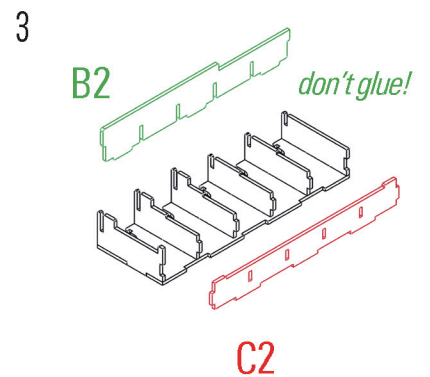
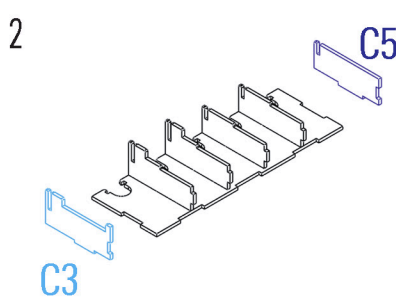


Required parts: **C6, C16, D4, E3, B6, B7, B3x2**

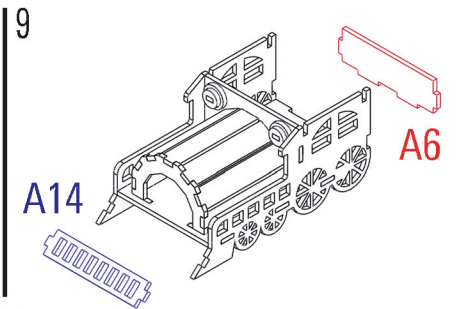
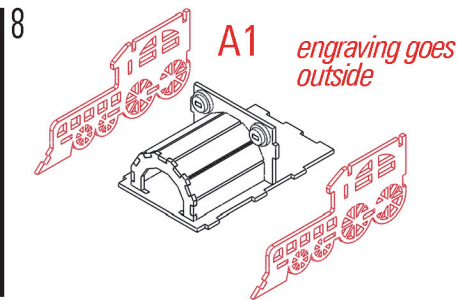
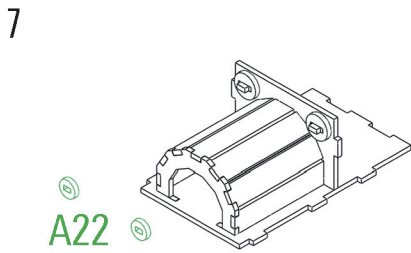
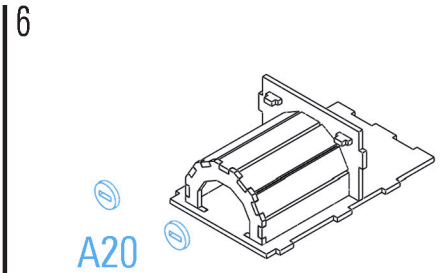
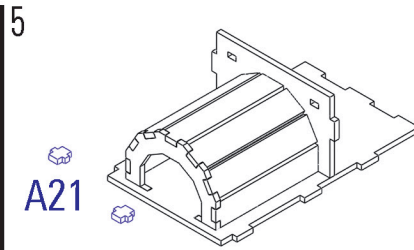
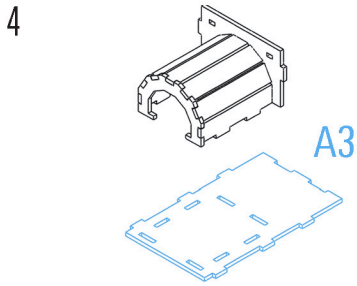
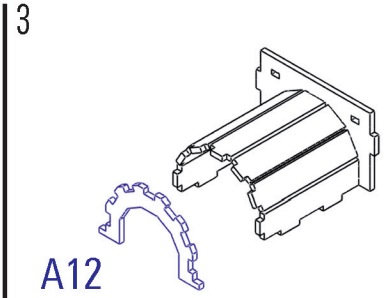
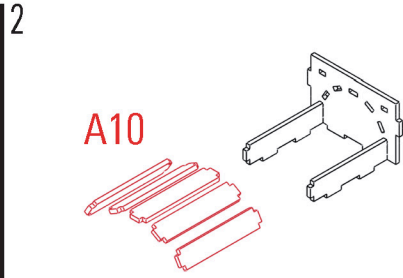
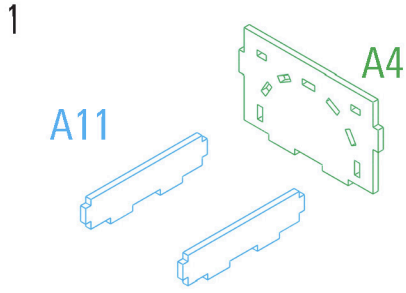
Tile Tray #2



Required parts: **A5x2, A7x2, D3, C3, C5, B2, C2**

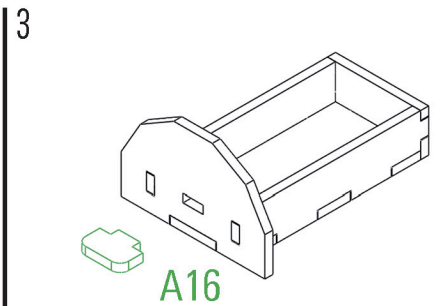
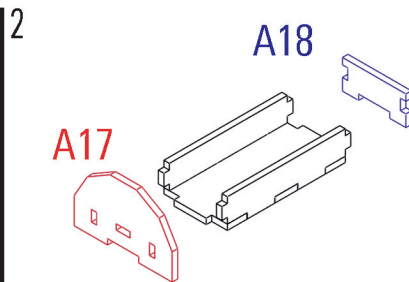
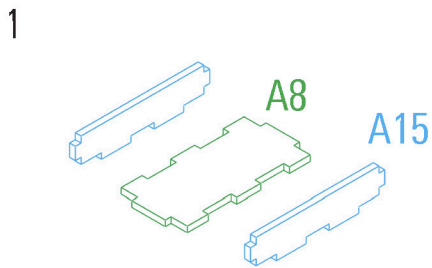


Locomotive Tray



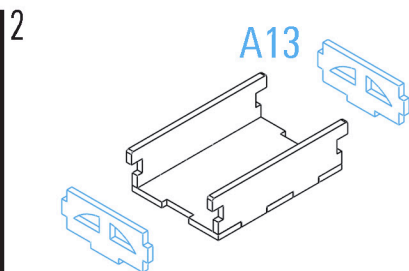
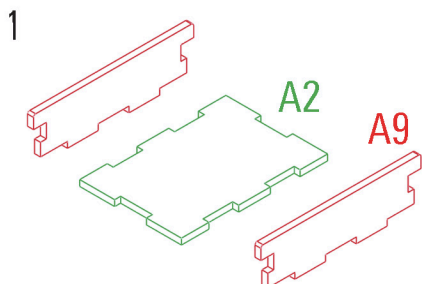
Required parts: **A11**x2, **A4**, **A10**x5, **A12**, **A3**, **A21**x2, **A20**x2, **A22**x2, **A1**x2, **A14**, **A6**

Front Tray

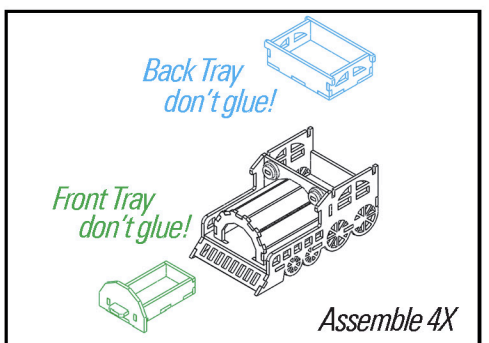


Required parts: **A8**, **A15**x2, **A17**, **A18**, **A16**

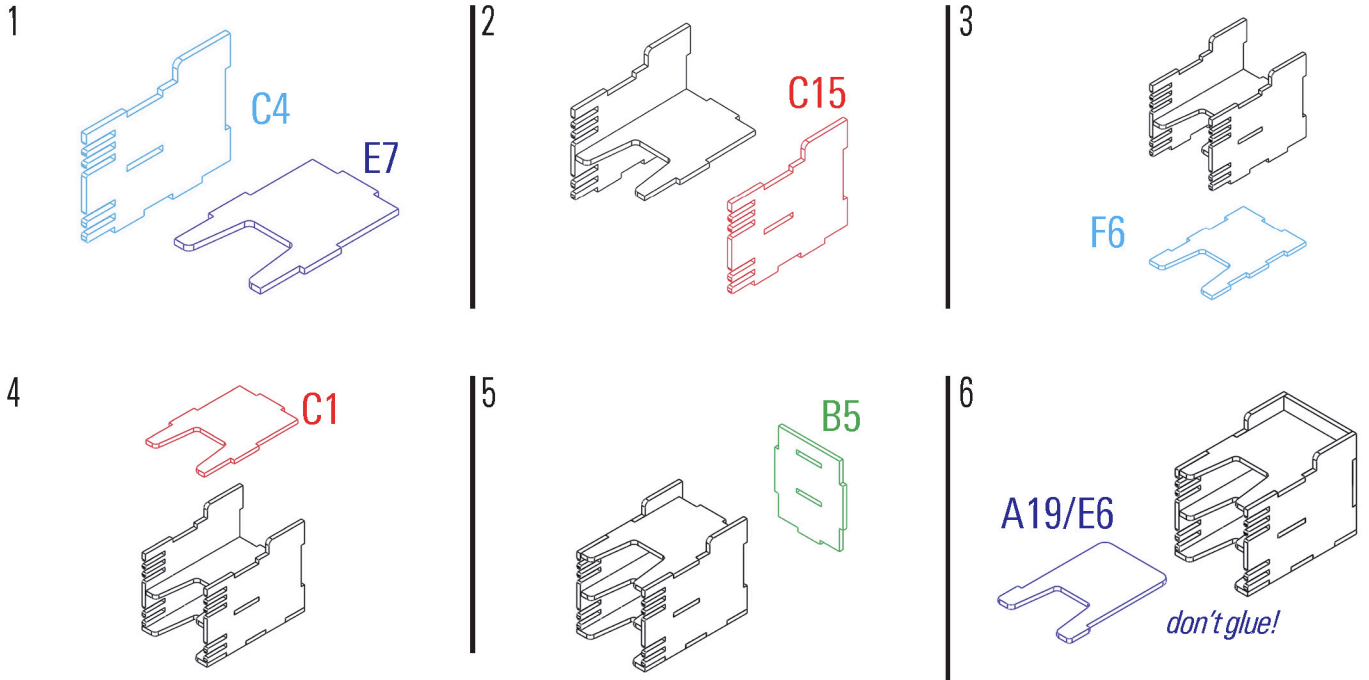
Back Tray



Required parts: **A2**, **A9**x2, **A13**x2

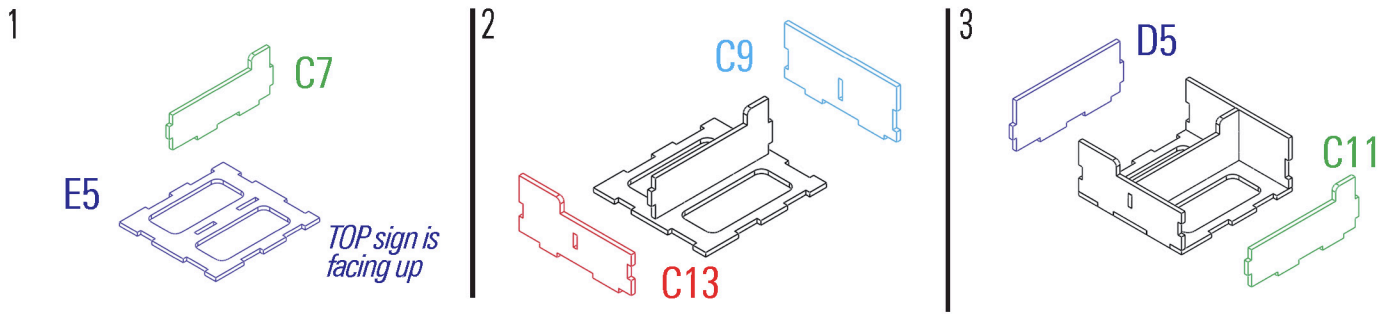


Card Holder



Required parts: **C4, E7, C15, F6, C1, B5, A19x4, E6**

Engineer Tray



Required parts: **C7, E5, C9, C13, C11, D5**