

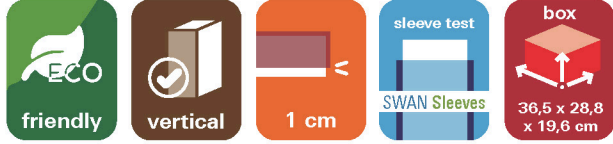
# Scythe Legendary Silo

## Compatible with Scythe Legendary Box

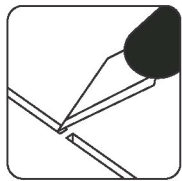
and following expansions: Scythe: Modular Board  
 Scythe: The Rise of Fenris  
 Scythe: The Wind Gambit



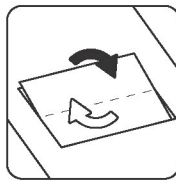
This product is not licensed and is up for change at any time in the future.



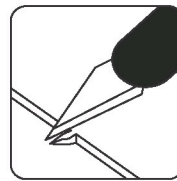
## Assembly Guide



Use an exacto knife to cut the bits connecting the parts to the frame.

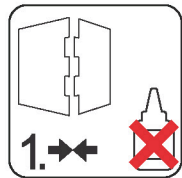


Remove the parts from the frame with a rotating motion along the axis formed by the bits you just cut.

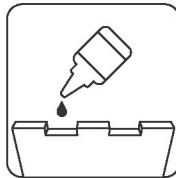


Use the exacto knife to remove any of the remaining connection bits.

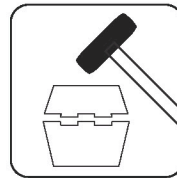
Use **wood glue** for assembly. Always dry fit the parts first to make sure the components are correct ones. If you encounter any issues, please contact us at [info@laserox.net](mailto:info@laserox.net) or our Facebook page at [facebook.com/laseroxinserts](https://facebook.com/laseroxinserts).



Always dry-fit the parts to together without any glue to make sure you are assembling the correct parts.



Use a drop of glue along the joints and hold it in place until the glue has sufficiently dried.

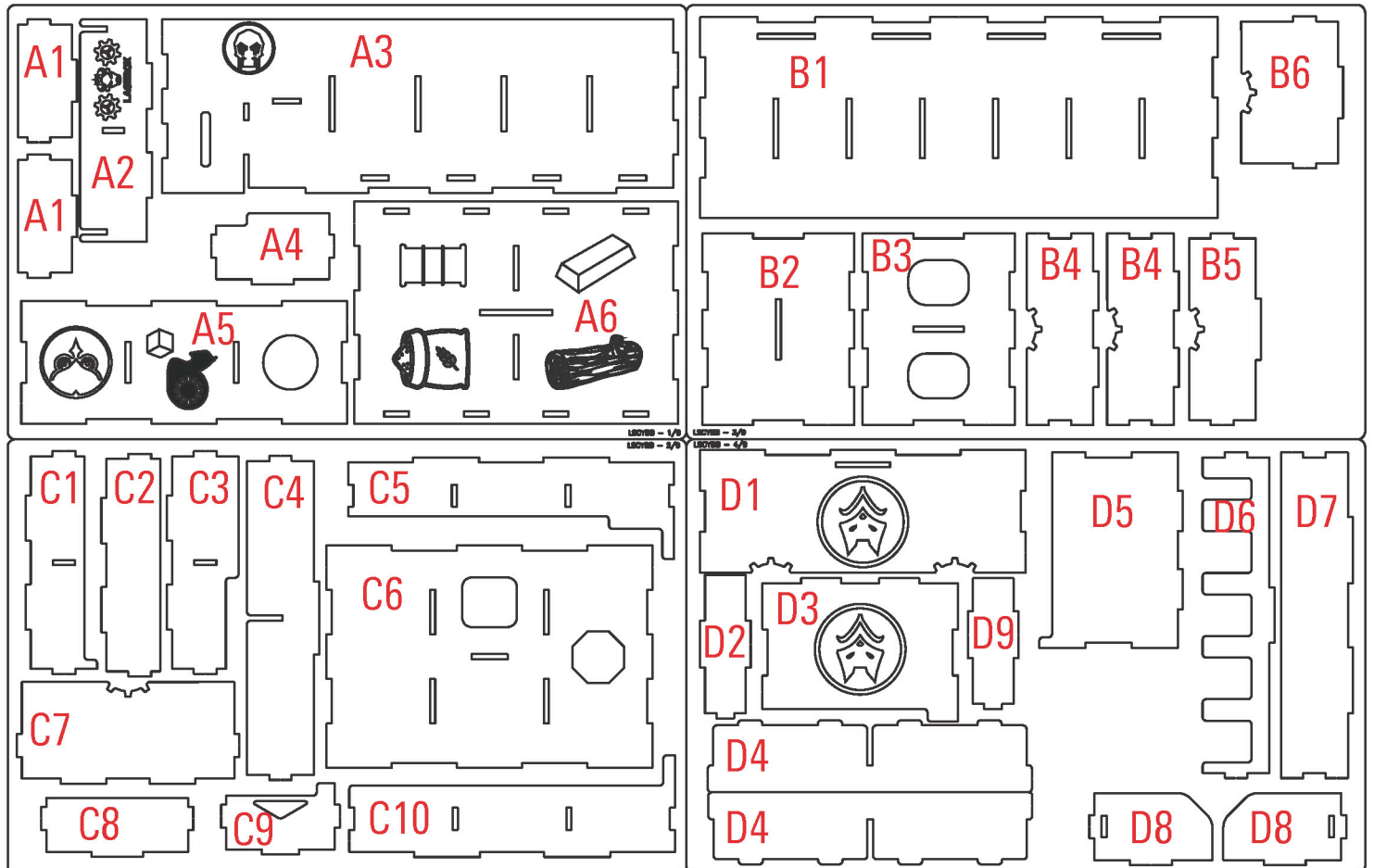


Press the parts together or use a hobby hammer with slight force for assembly.

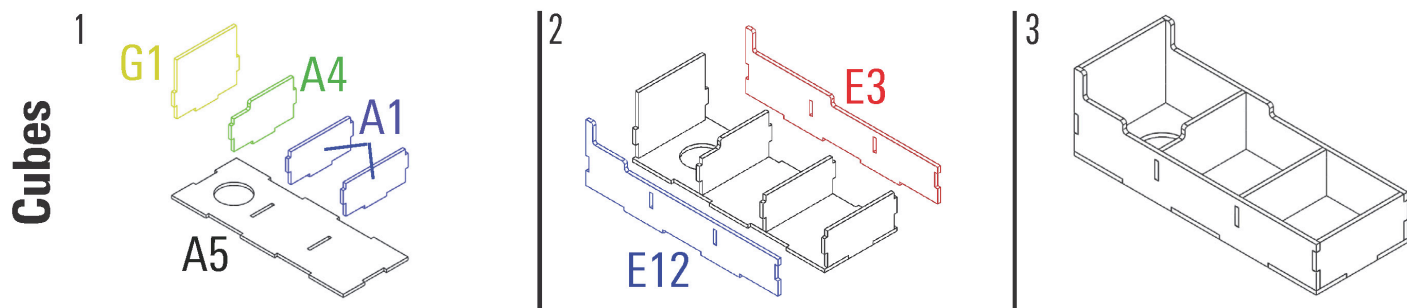
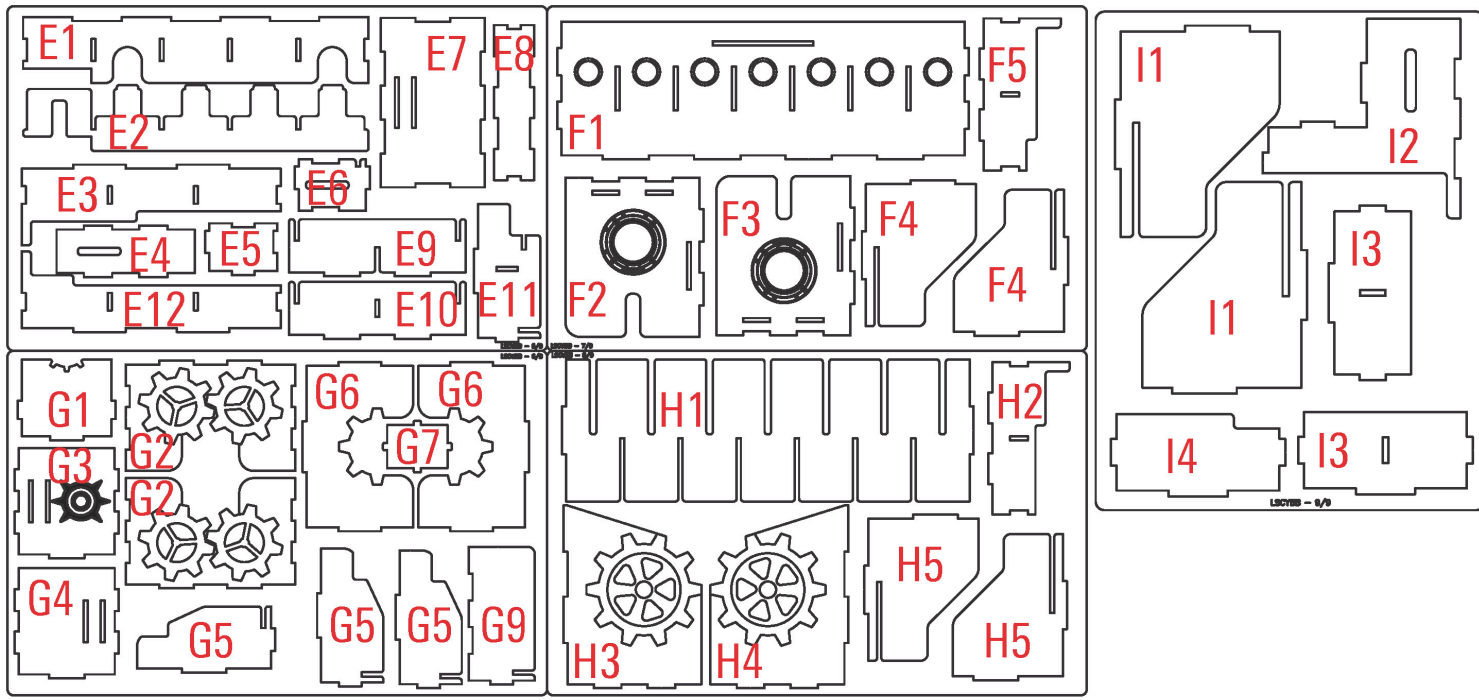


**WARNING** Choking hazard! Not for children under 14 years.

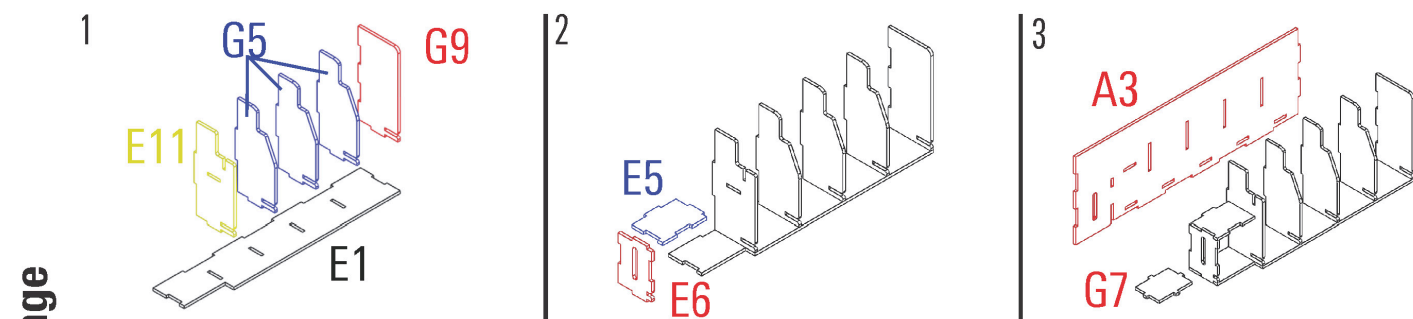
## Part numbers



# Part numbers II.



Required parts: **A1x2, A4, A5, G1, E3, E12**

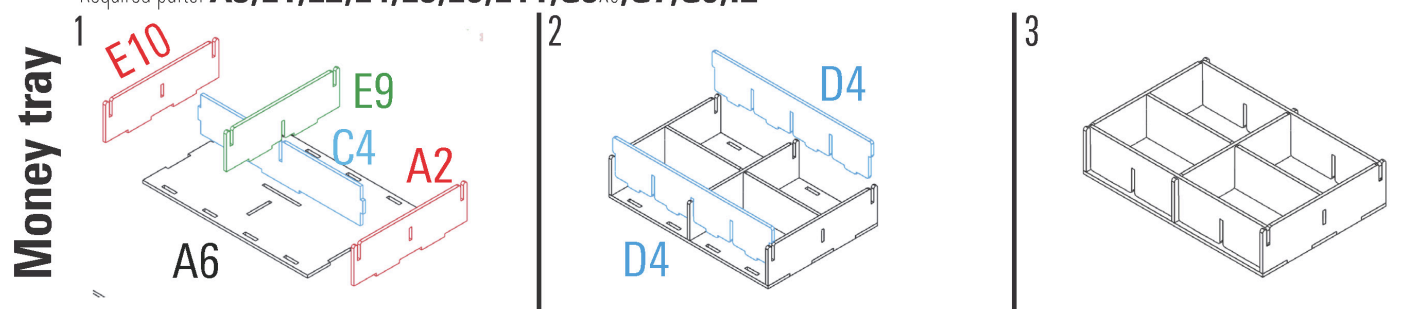


4

5

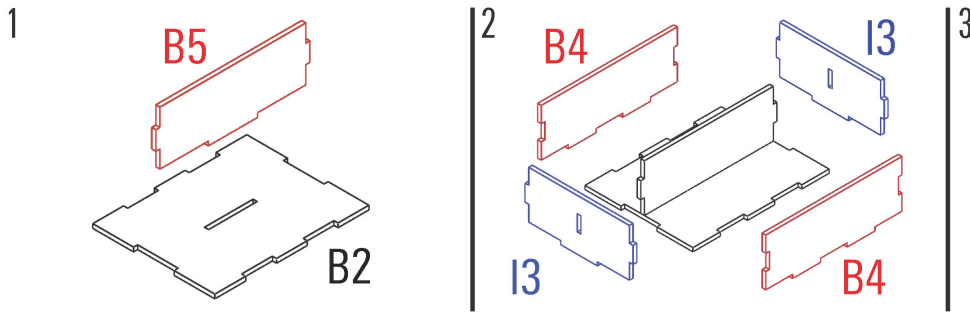
6

Required parts: **A3, E1, E2, E4, E5, E6, E11, G5x3, G7, G9, I2**



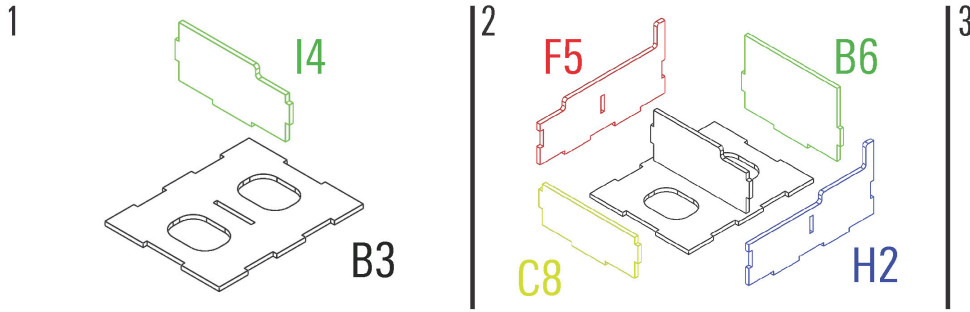
Required parts: **A2, A6, C4, D4x2, E9, E10**

Ship\_bottom



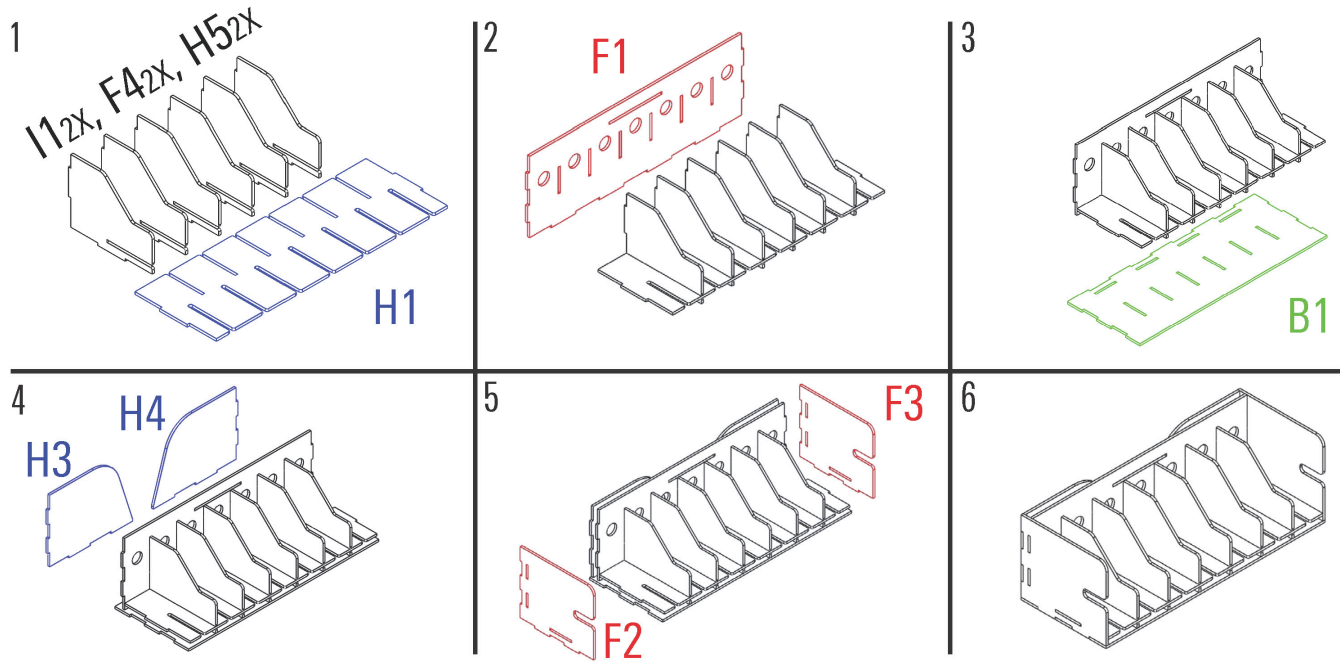
Required parts: **B2,B4x2,B5,I3x2**

Ship\_top



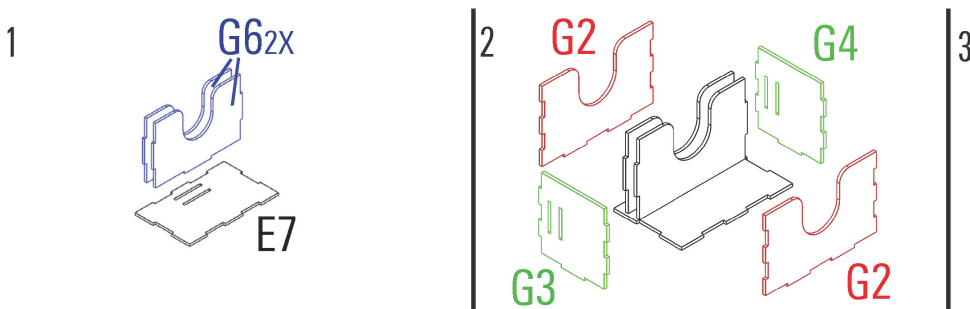
Required parts: **B3,B6,C8,F5,H2,I4**

Ship\_Big



Required parts: **B1,F1,F2,F3,F4x2,H1,H3,H4,H5x2,I1x2**

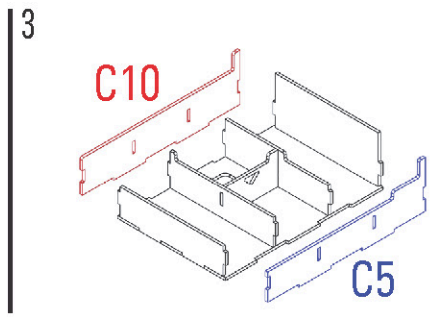
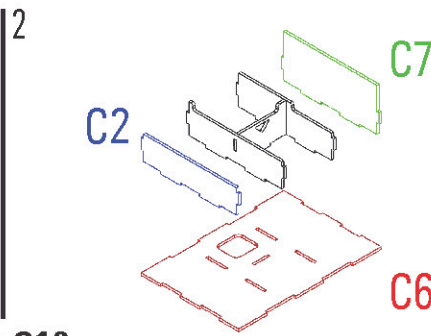
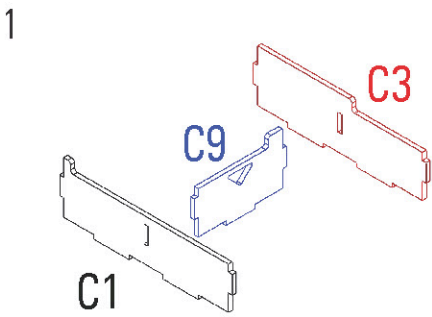
Shipcards



Required parts: **E7,G2x2,G3,G4,G6x2**

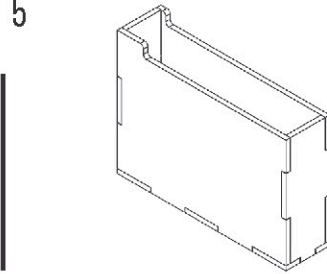
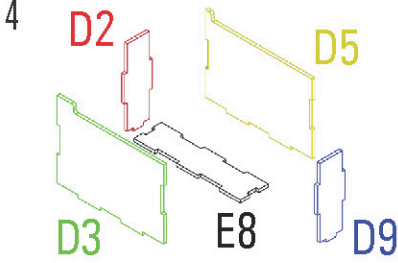


# Token tray 1



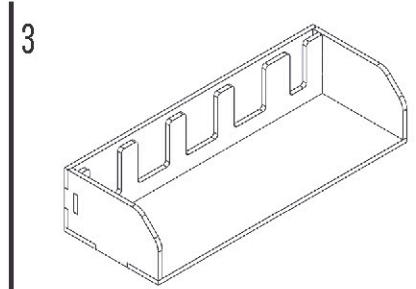
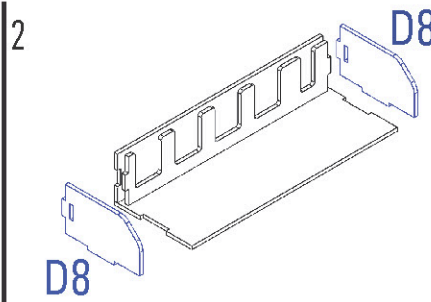
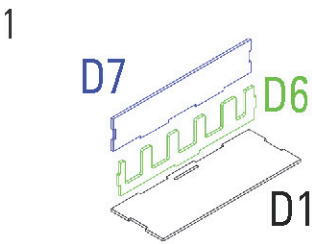
Required parts: **C1,C2,C3,C5,C6,C7,C9,C10**

# Turquoise 1



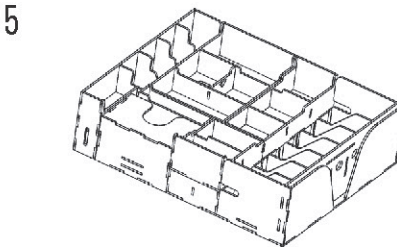
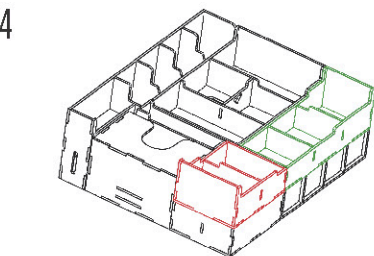
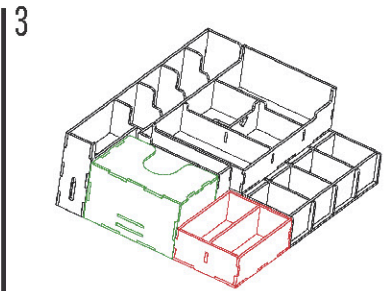
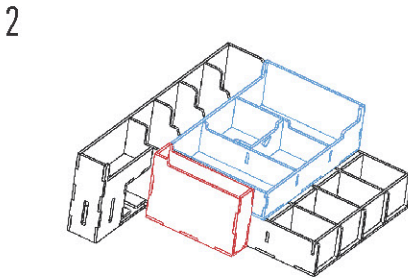
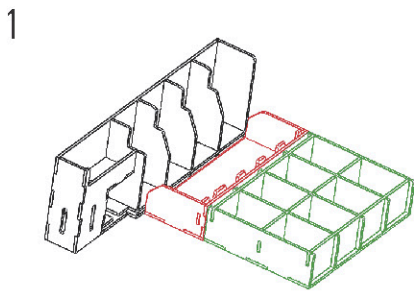
Required parts: **D2,D3,D5,D9,E8**

# Turquoise 2



Required parts: **D1,D6,D7,D8x2**

# Assembly



This is all placed onto the bottom part of the Legendary Box. On top goes the Scythe Silo with the basegame components.

