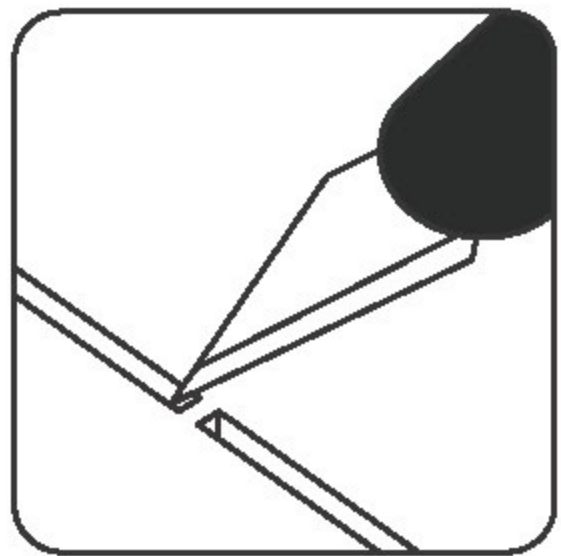


Modular Paint Rack

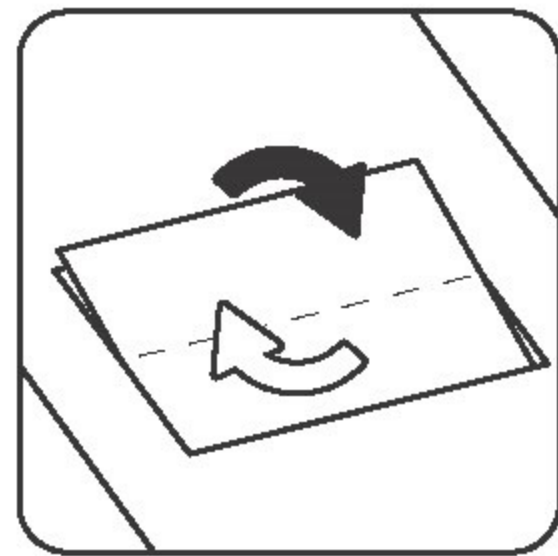
26mm 45°



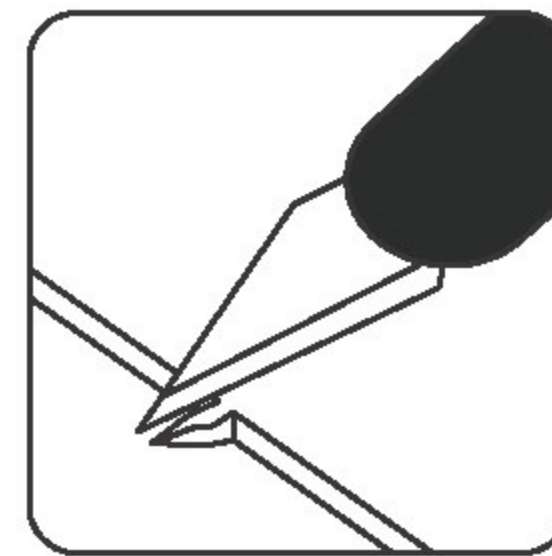
Assembly Guide



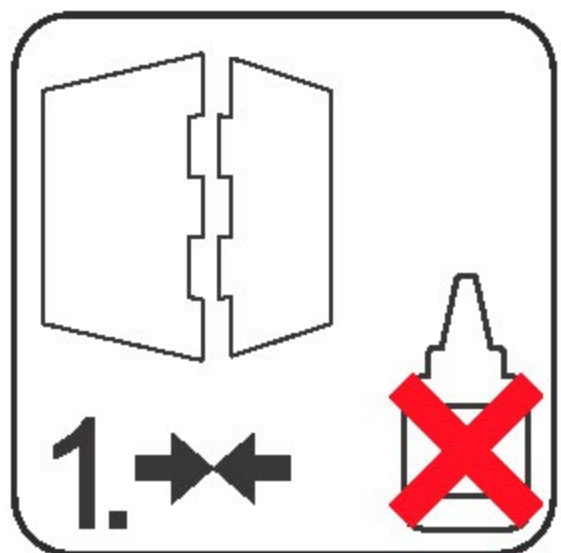
Use an exacto knife to cut the bits connecting the parts to the frame.



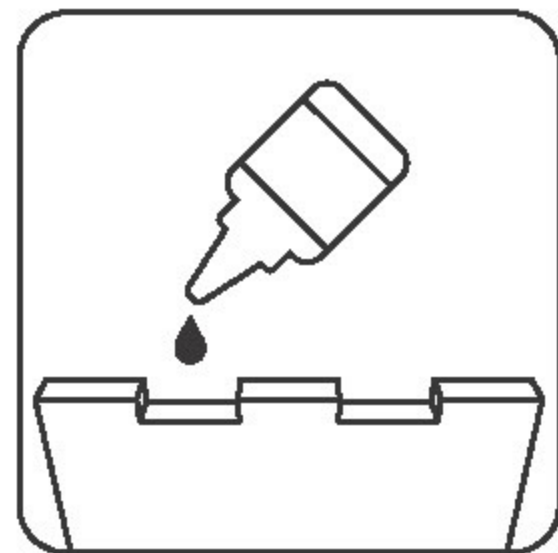
Remove the parts from the frame with a rotating motion along the axis formed by the bits you just cut.



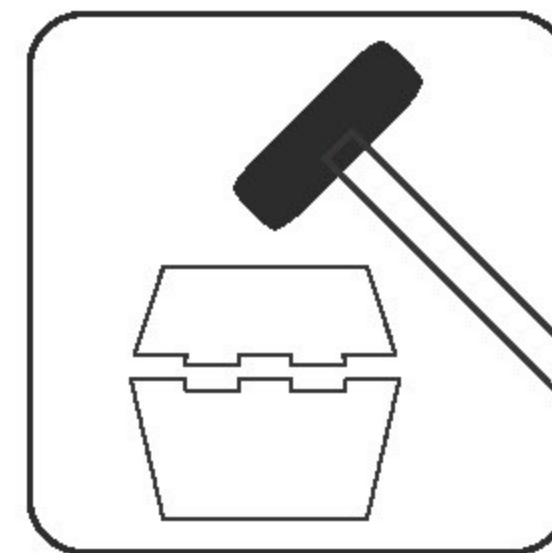
Use the exacto knife to remove any of the remaining connection bits.



Always dry-fit the parts to together without any glue to make sure you are assembling the correct parts.



Use a drop of glue along the joints and hold it in place until the glue has sufficiently dried.

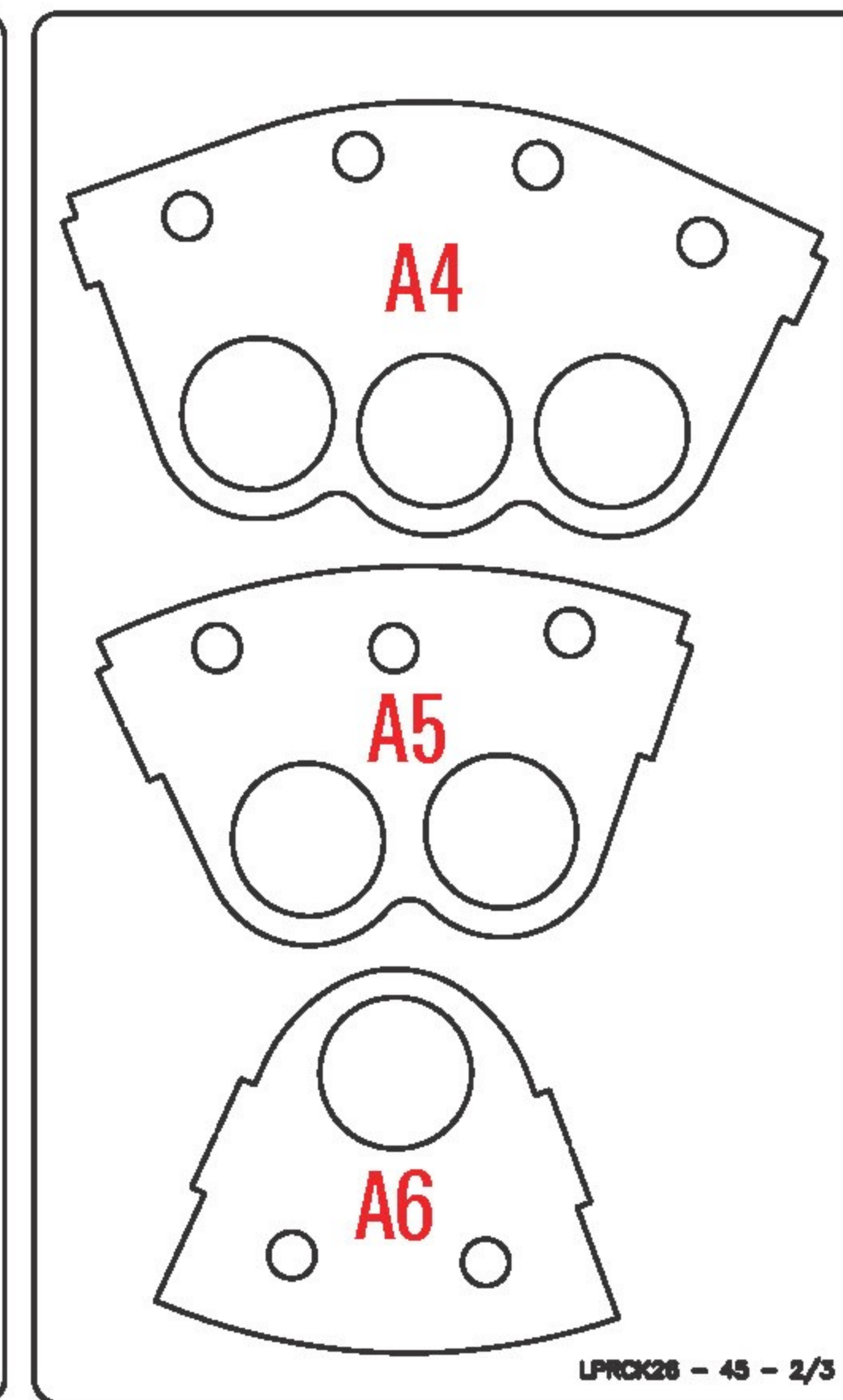
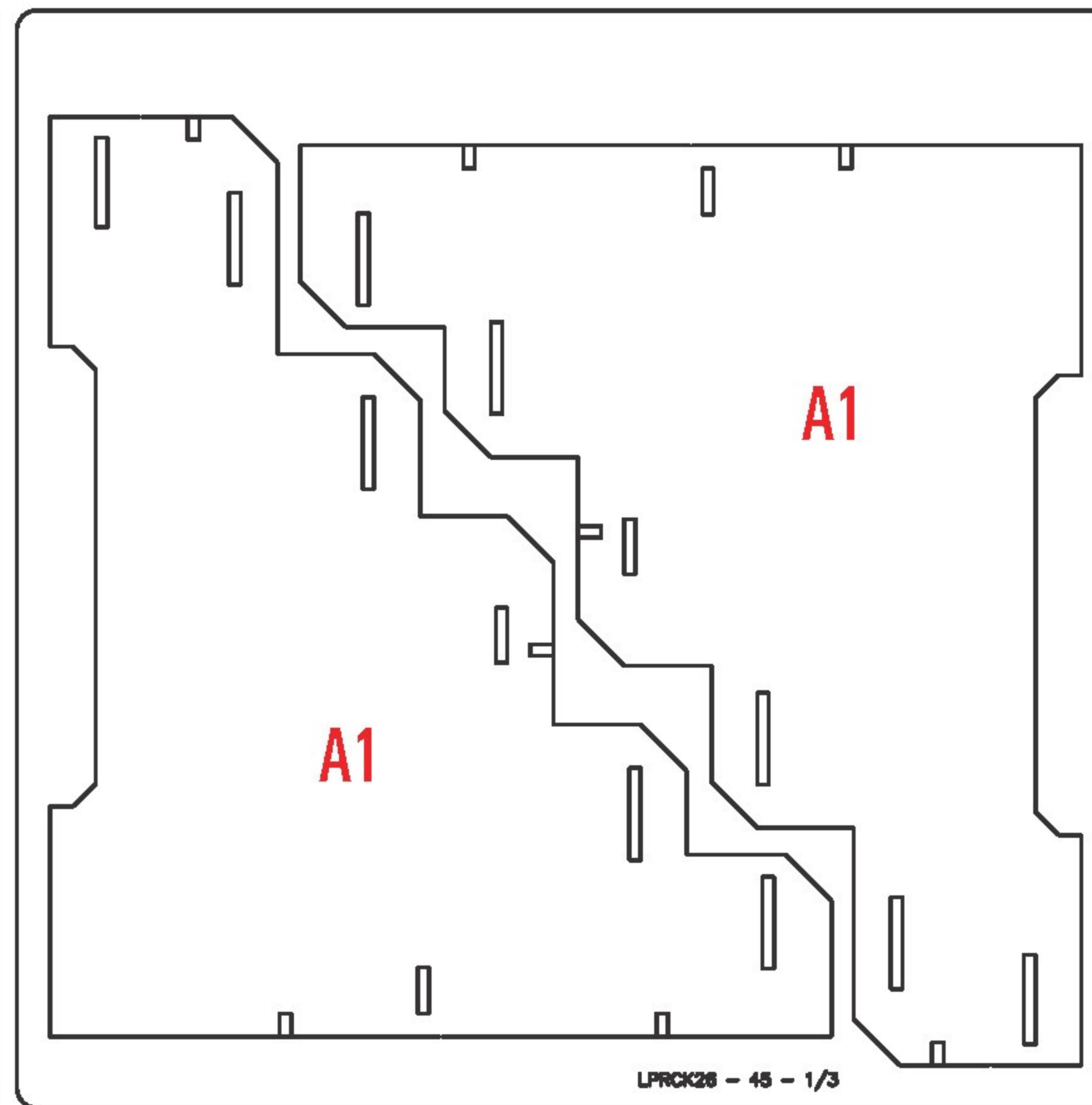
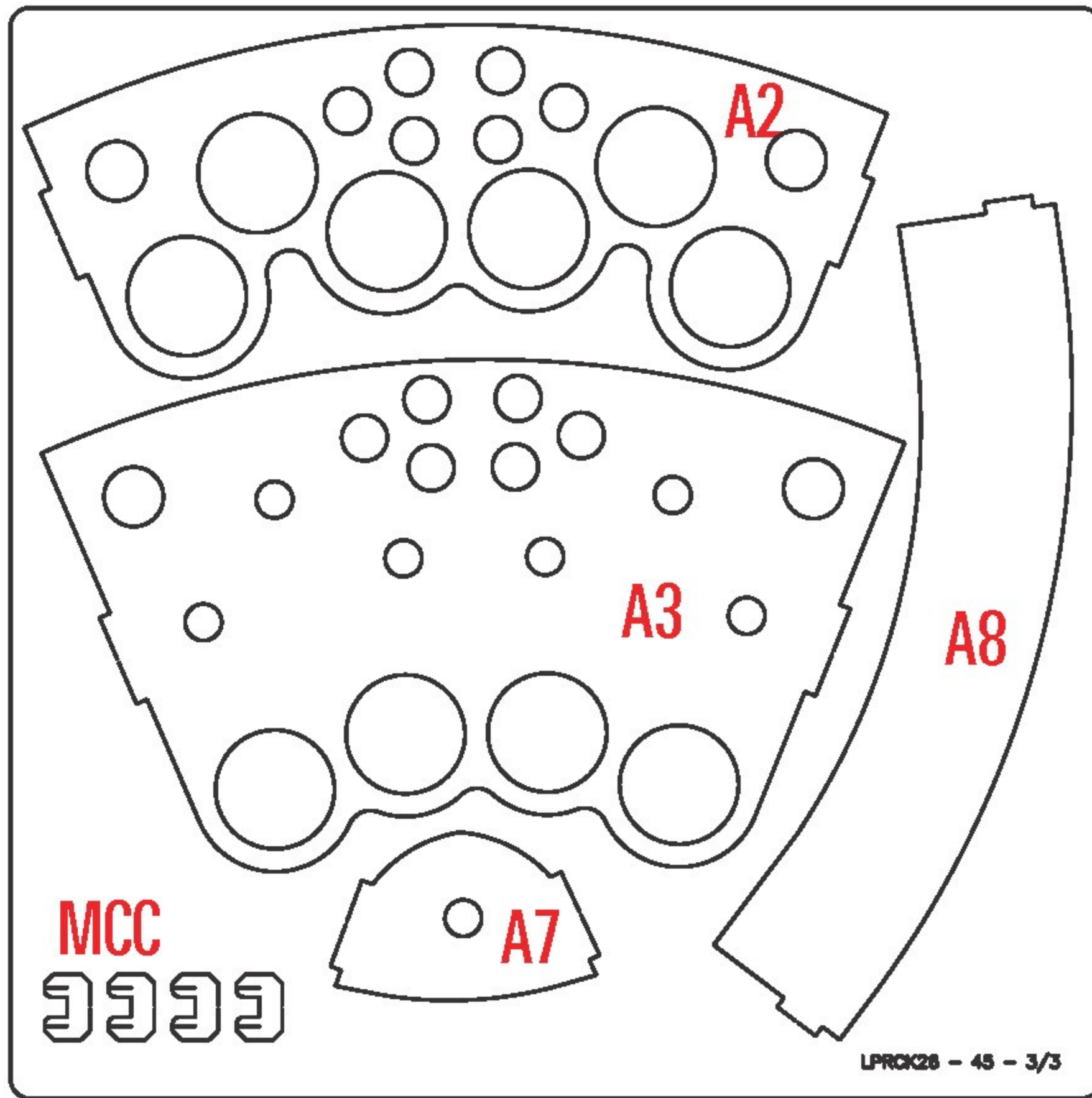


Press the parts together or use a hobby hammer with slight force for assembly.

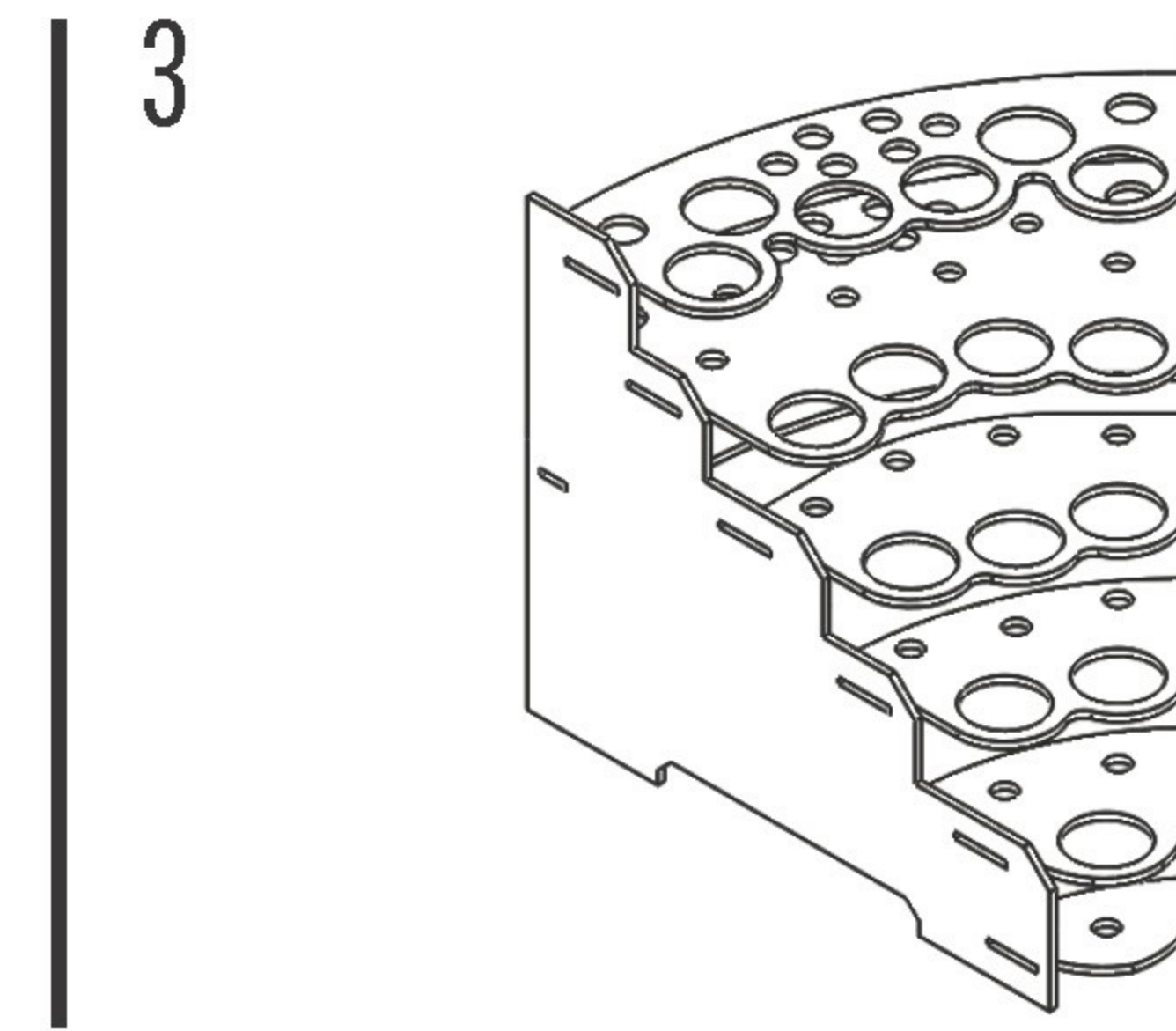
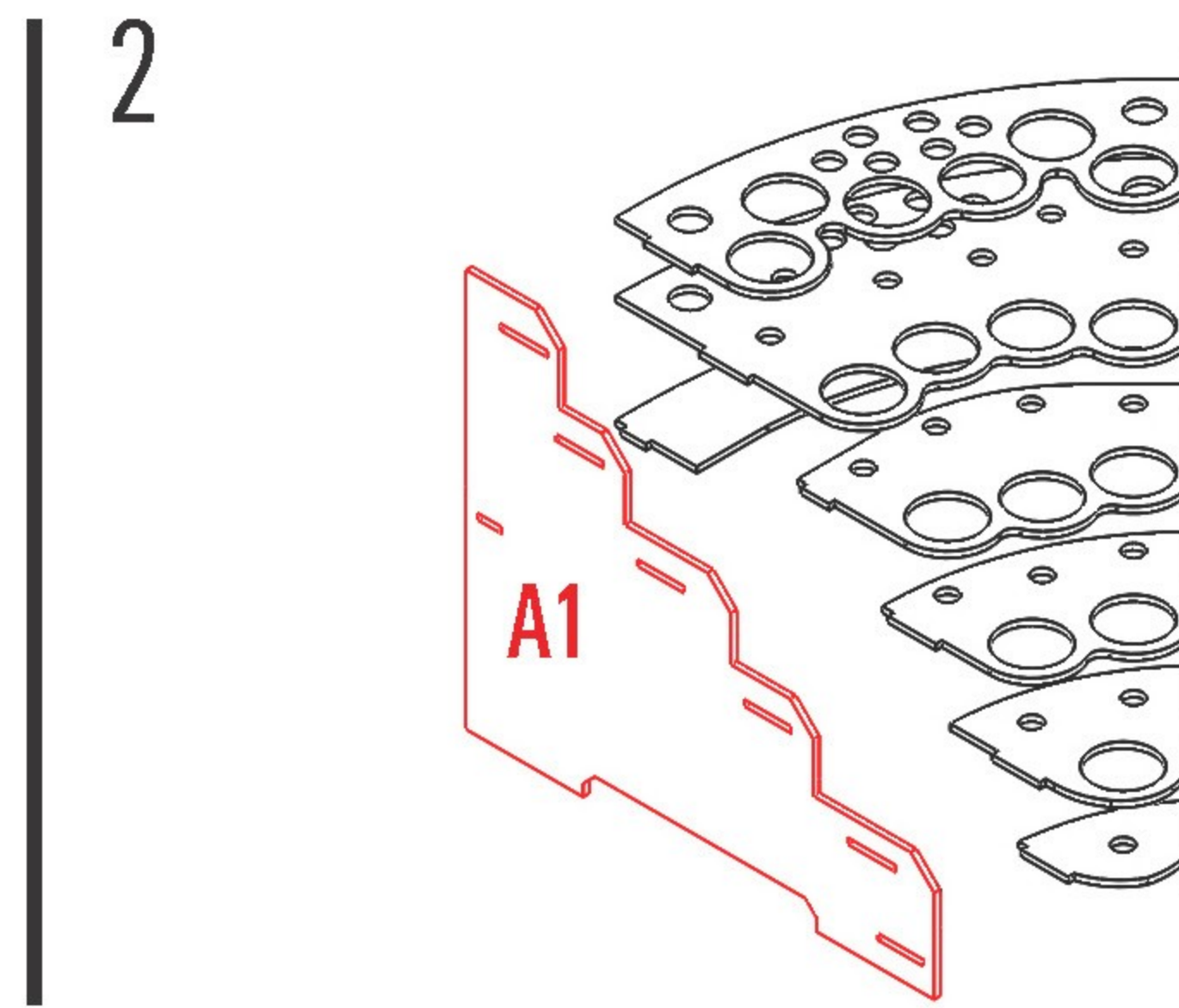
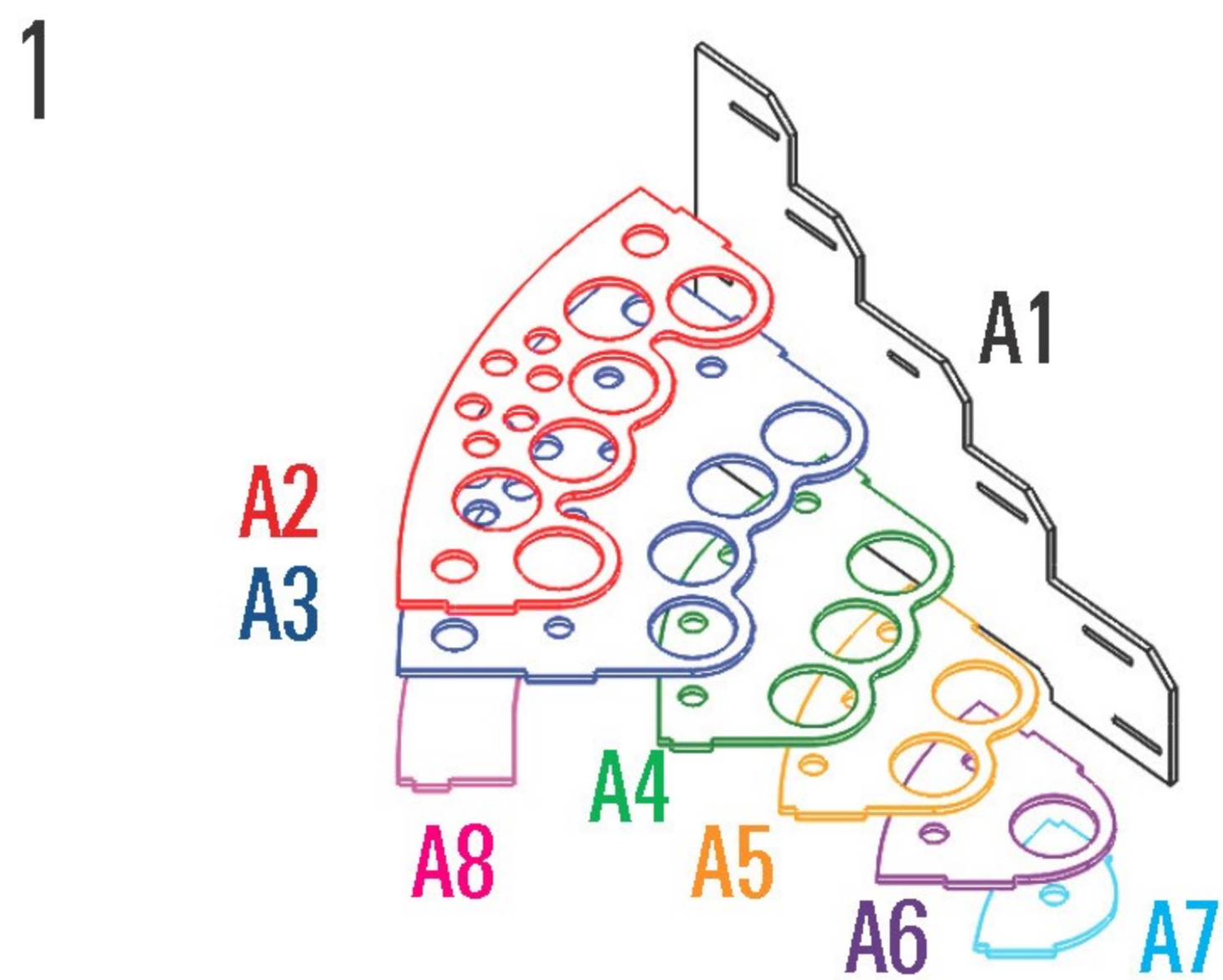
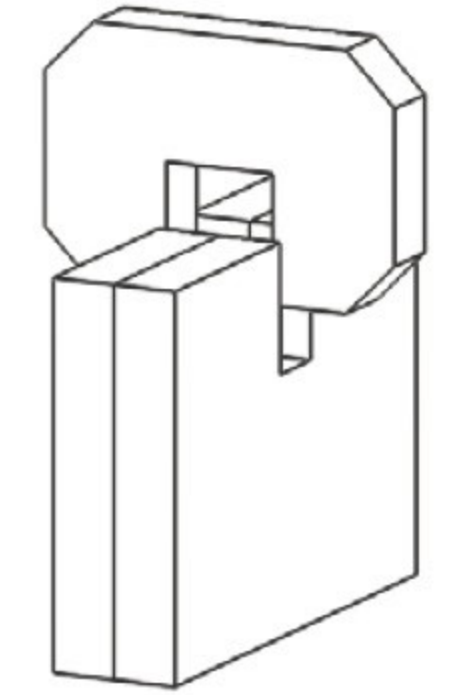
Use **wood glue** for assembly. Always dry fit the parts first to make sure the components are correct ones. If you encounter any issues, please contact us at info@laserox.net or our Facebook page at facebook.com/laseroxinserts.



WARNING Choking hazard!
Not for children under 3 years.



Module connection clip



www.laserox.net

MADE IN HUNGARY
2092 Budakeszi, Tiefenweg 39. Hungary

