

Glen More II Chest

Compatible with Glen More II: Chronicles® and Glen More II: Highland Games

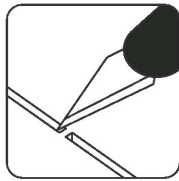
This box organizer is compatible with our Glen More II organizer and expansion organizer. This product is licensed by Funtails™, and is up for change at any time in the future.



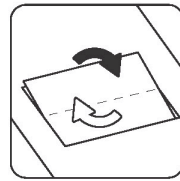
Assembly Guide



Watch our beginners guide videos on youtube. Just scan the QR code and get started!

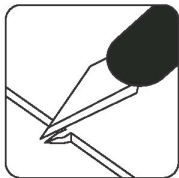


Use an exacto knife to cut the bits connecting the parts to the frame.

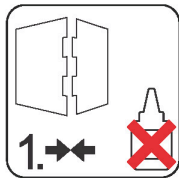


Remove the parts from the frame with a rotating motion along the axis formed by the bits you just cut.

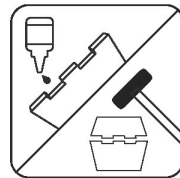
Use **wood glue** for assembly. Always dry fit the parts first to make sure the components are correct ones. If you encounter any issues, please contact us at info@laserox.net or our Facebook page at facebook.com/laseroxinserts.



Use the exacto knife to remove any of the remaining connection bits.



Always dry-fit the parts to together without any glue to make sure you are assembling the correct parts.

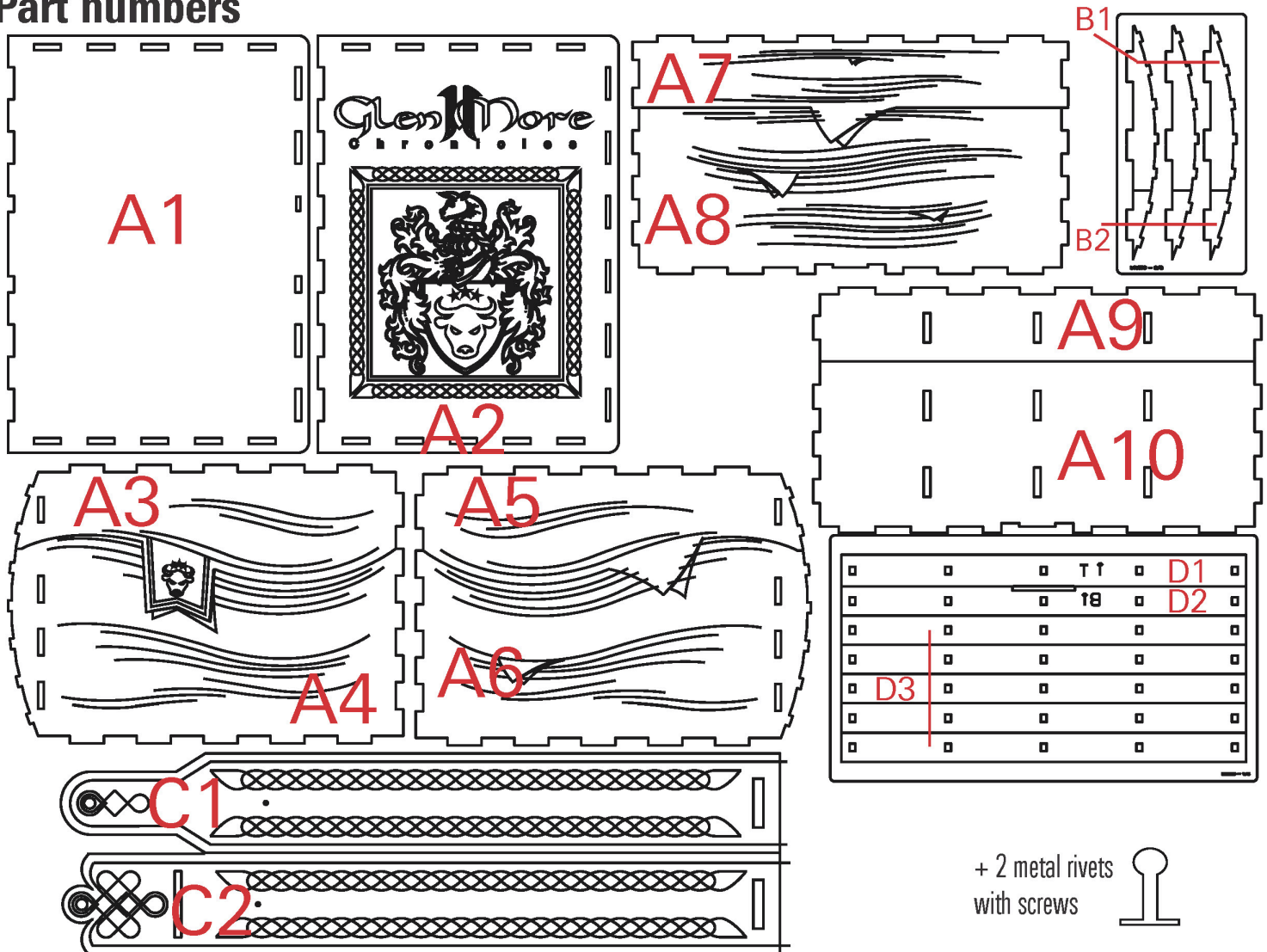


Use a drop of glue along the joints and press the parts together or use a hobby hammer with slight force for assembly.



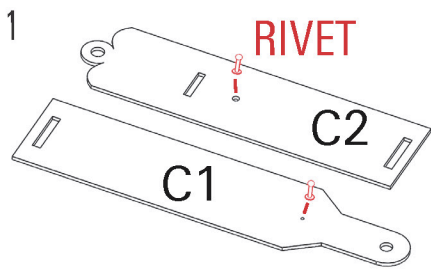
14+ WARNING Choking hazard! Not for children under 14 years.

Part numbers

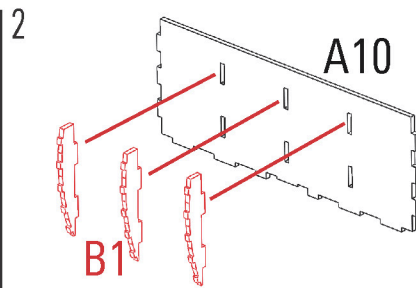


+ 2 metal rivets with screws

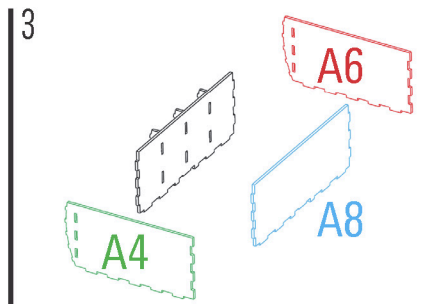
Part 1. Player Parts



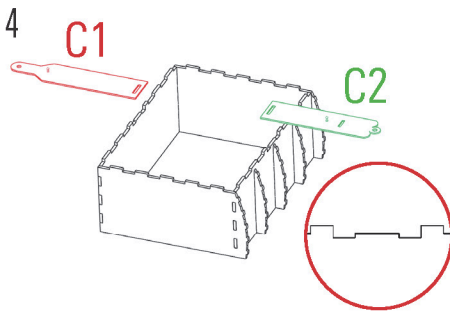
1. Remove the protective paper before assembly. Insert the two rivets into the small holes. The rivet head should be on the engraved side of the leather. Screw tight!



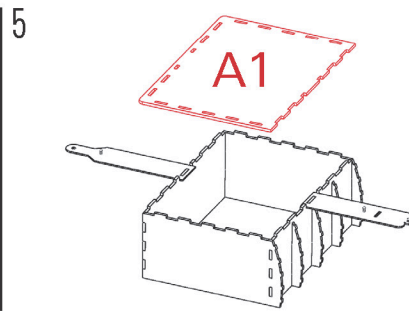
2. Insert the 3 long pegs into the back panel. Make sure to use some glue on all joints to ensure a good bond.



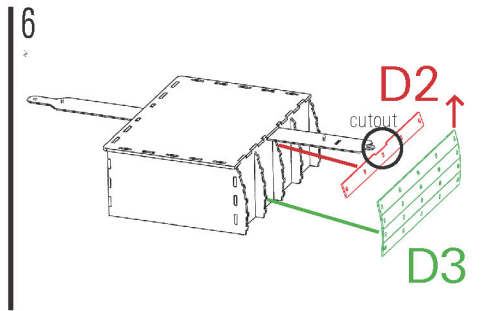
3. Assemble the frame of the bottom of the chest. Make sure to use some glue as well. Engravings should always face outside!



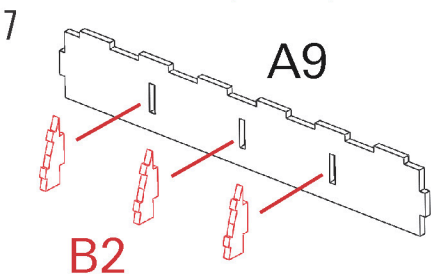
4. Flip the frame upside down and insert the two leather straps. Leather engravings should face **UP!** There are cutouts where the leather will fit into (see circle)



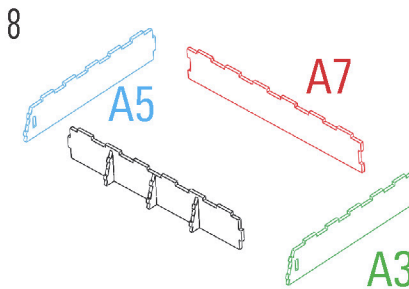
5. Put the bottom piece on the frame. Some force might be required to assemble.



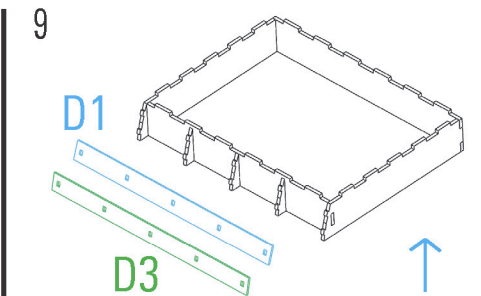
6. Note that the **D2** piece has a B and an arrow marked on the back side. The arrow and the cutout should point to the bottom of the chest!



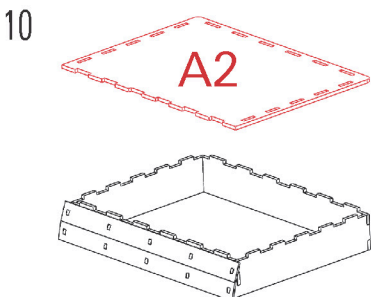
7. Insert the 3 short pegs.



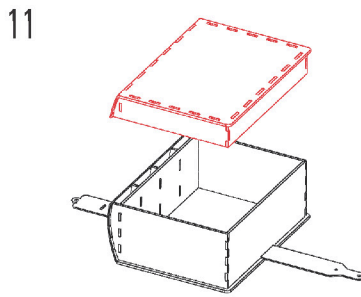
8. Assemble the frame of the top of the chest. Engravings should be facing outside!



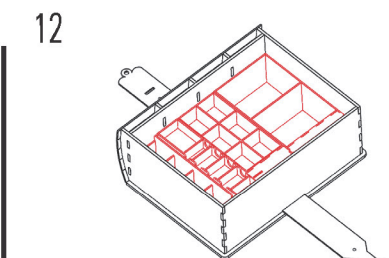
9. Note that the **top** one has an arrow and a T marked on the back side. The arrow should be pointing upwards to the top of the part.



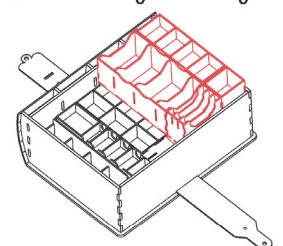
10. Put the lid with the Glen More engraving on the top.



11. You are done :) Now it is time to store the organizer inside the chest.



12. First goes the Glen More base game organizer, then the Highlands organizer.



The X (made from HDF) is a spacer in the chest for the future expansion.