

Dune Organizer

Compatible with Dune
and Dune: Ixians & Tleilaxu

This product is not licensed, and is up for change at any time in the future.

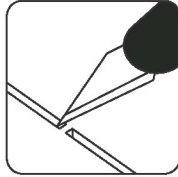


LASEROX

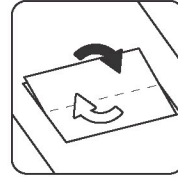
Assembly Guide



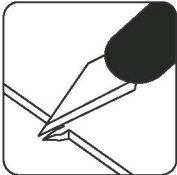
Watch our beginners guide videos on youtube. Just scan the QR code and get started!



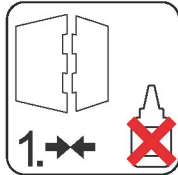
Use an exacto knife to cut the bits connecting the parts to the frame.



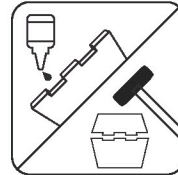
Remove the parts from the frame with a rotating motion along the axis formed by the bits you just cut.



Use the exacto knife to remove any of the remaining connection bits.



Always dry-fit the parts to together without any glue to make sure you are assembling the correct parts.



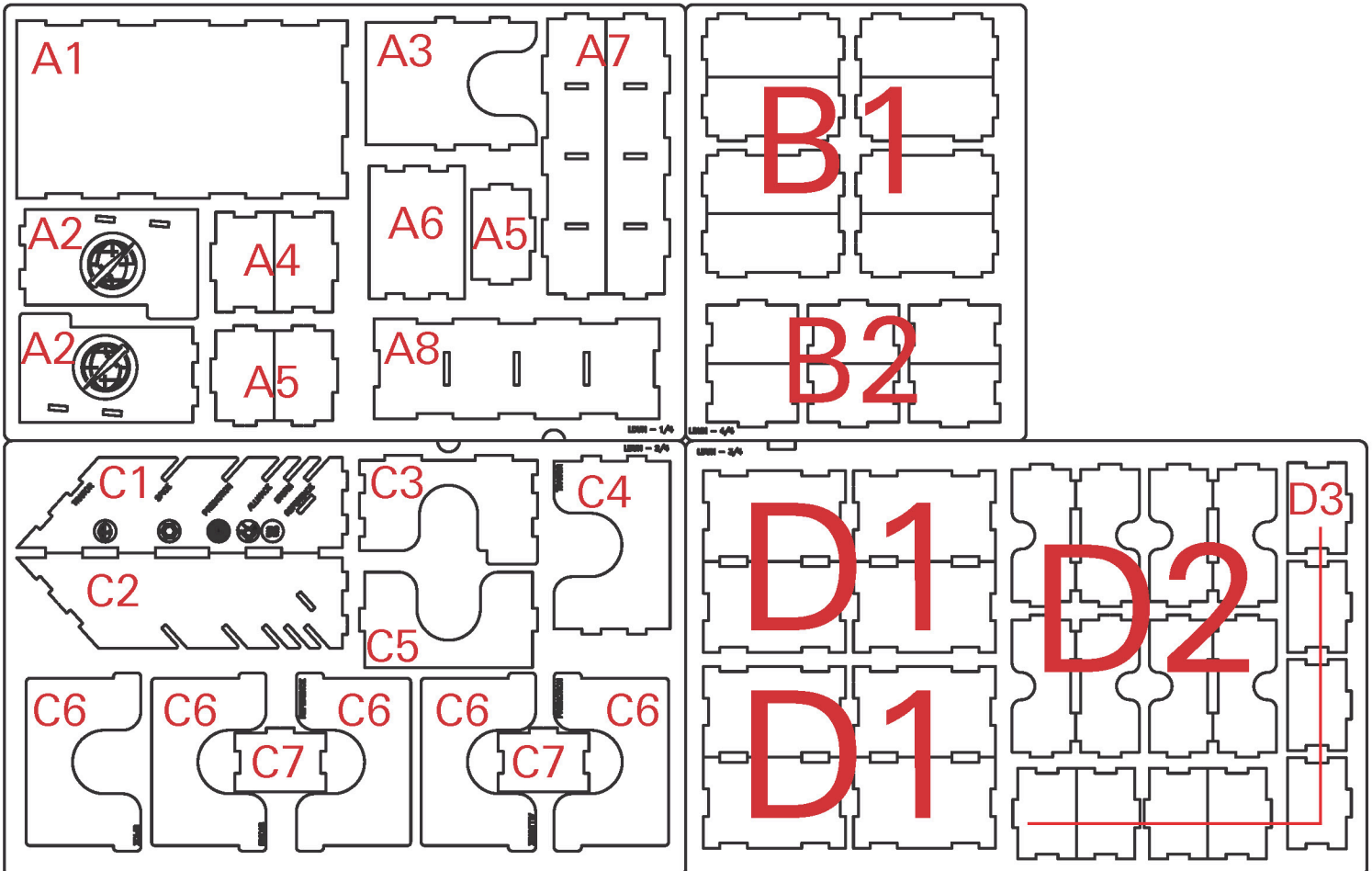
Use a drop of glue along the joints and press the parts together or use a hobby hammer with slight force for assembly.

Use **wood glue** for assembly. Always dry fit the parts first to make sure the components are correct ones. If you encounter any issues, please contact us at info@laserox.net or our Facebook page at facebook.com/laseroxinserts.

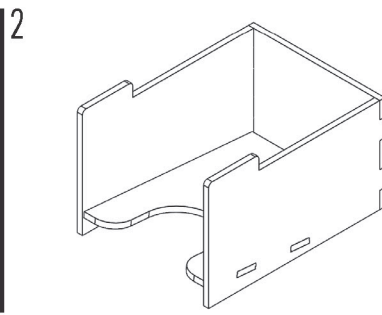
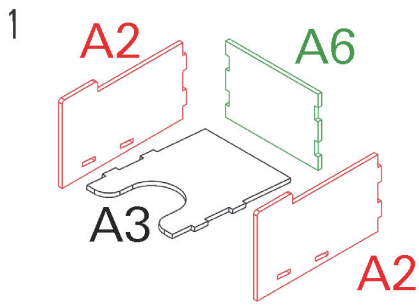


14+ **WARNING** Choking hazard!
Not for children under 14 years.

Part numbers

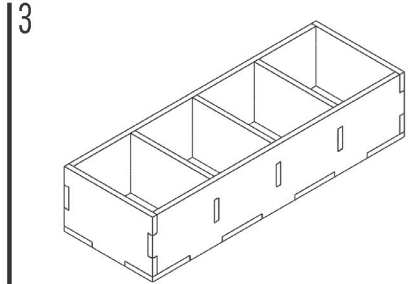
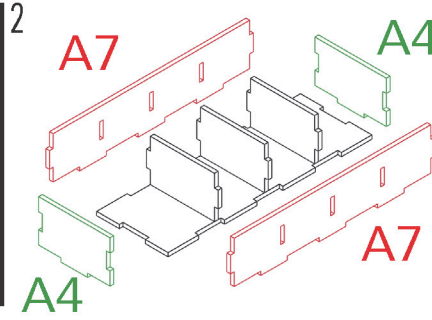
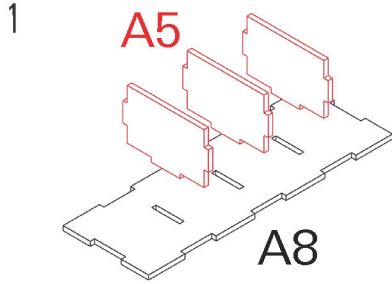


Card holder



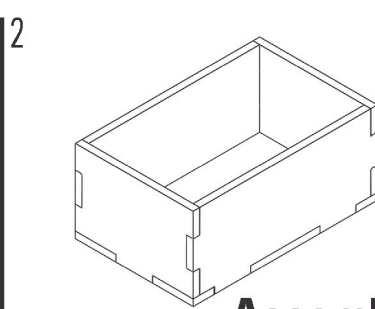
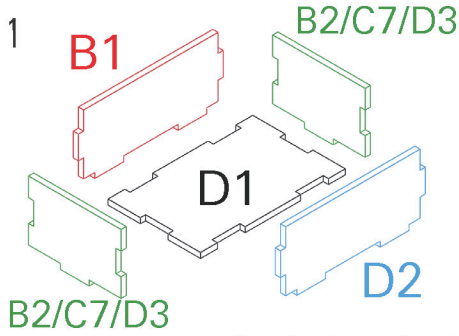
Required parts: **A2x2,A3,A6**

Coin tray



Required parts: **A4x2,A5x3,A7x2,A8**

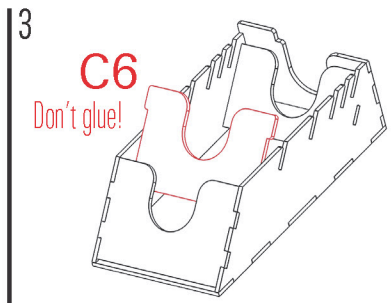
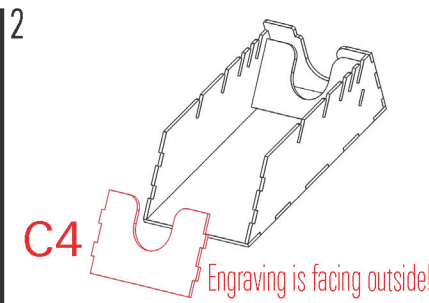
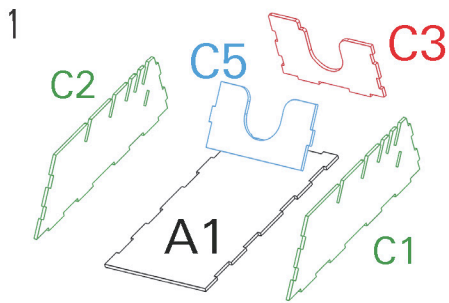
Factions



Assemble 8x

Required parts: **B1x8,B2x6,C7x2,D1x8,D2x8,D3x8**

Setup cards



Required parts: **A1,C2x2,C3,C4,C5,C6x5**

Assembly

