



Coffee

The flip top Creden-ZzZ cabinet bed in coffee finish features a dark espresso, wire brushed finish on poplar veneer with 9.5 inch brushed aluminum hardware. Item 503-20. Queen dimensions: W 64" x D 23" x H 43" opens to 81 inches. Also available in full size - Item 502-20. Full Dimensions: W 58 x D 23 x H 39 opens to 76 inches.



Coffee item 503-20

Pekoe

The flip top Creden-ZzZ cabinet bed in Pekoe finish shown at right in queen size, features a medium brown wire brushed finish on poplar veneer with detailed 6 inch brass hardware. Comes with a 9 inch drawer. Item 503-15. Queen Dimensions: W 64 x D 23 x H 43 opens to 81 inches. Also available in full size - item 502-15. Full Dimensions: W 58 x D 23 x H 39 opens to 76 inches.



Pekoe item 503-15

Madrid

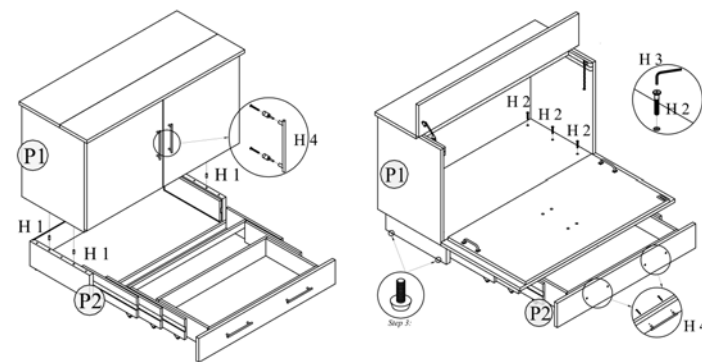
The Madrid style is a clean, white contemporary cabinet bed with a wire brush finish. Perfect for a beach condo, coastal home or sophisticated urban decor. Item 503-10. Also available in full size item 502-10. Queen Dimensions: W 64 x D 23 x H 43 opens to 81 inches. Full Dimensions: W 58 x D 23 x H 39 opens to 76 inches.



Madrid item 503-10

The Creden-ZzZ™ Cabinet Bed (Pronounced like credenza with only a Z)

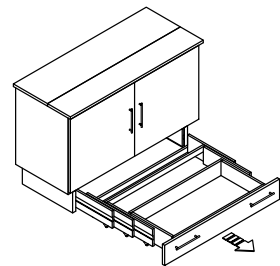
All of the Creden-ZzZ cabinet beds work the same way. That is, the features will apply to all styles.



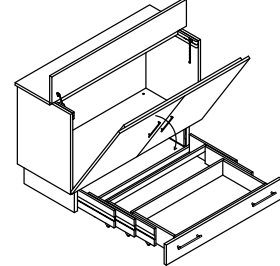
Assembly

Mattress, drawer and upper cabinet are packed in one carton. Open the carton, look for assembly instructions and hardware packet before disposing of packaging material. Hardware is in the drawer. Place drawer where bed will be used. Insert the 4 dowels to align the upper cabinet on the drawer base. Attach the upper cabinet to the drawer with the 6 bolts. Allen wrench is provided. **Important:** Step 3 shows the levelers. Be sure to extend the levelers if the cabinet bed is used on carpet or there is an uneven floor.

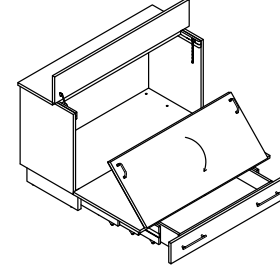
Step 1



Step 2



Step 3



Operation:

Step 1. Pull out the drawer from the center, until it fully extends. This supports the fold out front panel.
Step 2. Open the flip top and unlatch the slide bolts on either side and the security chain. Then open the fold out panel onto the drawer/base.
Step 3. Open flap, pull out the mattress.

Features

The front 10 inches of the top flips up for more head room and to expose the latches that are hidden inside for a clean look. Plus, items can stay on the top to the back when the bed is in use. Cabinet bed can be easily taken apart for moving.

Drawer

The drawer is housed inside of the base and can be used to hold pillows, bedding or whatever one wants. Drawer and runners are felt covered to protect the panels. The queen drawer is W 43-1/2 x D 16 x H 6-3/4 inches - 2.72 cubic feet.

Mattress

The mattress is constructed of two foam layers. The top two inches are a soft high resilient foam and the bottom four inches are a dense foam that keeps the sleeper from bottoming out. The three sections are sewn together forming a Z-fold that doesn't separate. Mattress fits *vertically* in the space saving cabinet.

Dimensions

Queen: W 64 x D 23 X H 43, opens to 81 inches. Weight 242 pounds in carton.

Full size: W 58 x D 23 x H 39, opens to 76 inches. Weight 220 pounds in carton.



Creden-ZzZ™ Cabinet Bed



- Free-standing cabinet bed is 40% smaller than sleeper sofas
- Low cost alternative to the Murphy bed
- Easy to open and close
- Comfortable - no sagging or rolling to the middle with two sleepers
- Comes with 6-inch mattress
- No assembly required



Sleeping places in small spaces

Arason

Arason Enterprises, Inc • 64 Log Canoe Circle • Stevensville, MD 21666 • office 443-249-3105 • fax 443-249-3381 • www.fu-chest.com

Arason Enterprises, Inc • 64 Log Canoe Circle • Stevensville, MD 21666 • office 443-249-3105 • fax 443-249-3381 • www.fu-chest.com

U.S. Patent # 7,574,758 B2 & 6,851,139B2 • Canadian Patent # 2,577,377 © 2022 all rights reserved

Sleeping places in small spaces

Arason

Essex

The crisscross molding design on the Essex is reminiscent of Tudor style architecture. This stylish cabinet bed comes in three finishes: ash, white and black. The black and white are painted. The ash is a pickled finish on Acacia veneer that shows natural wood features. At the beach its driftwood feel blends perfectly; at the cabin it's rustic; and in urban decors a chic found object. Wherever you need an extra bed the Creden-Zzz cabinet bed is a winner. Dimensions: W 64 x D 23 x H 43 opens to 81 inches. Available in queen size only.



Essex Ash item 513-15



Essex Black item 513-20



Essex White item 513-10



Brussels White item 543-10



Brussels Ash item 543-15



Brussels Charcoal item 543-20

Brussels

The bold circular molding design on the Brussels is inspired by 18th century European furniture. This stunning cabinet bed comes in three finishes: ash, white and charcoal. The white is painted. The ash is a pickled finish on Acacia veneer that shows natural wood features. The charcoal finish has variations in the hand applied silvery gray stain. Wherever you need an extra bed the Creden-Zzz cabinet bed makes an elegant statement. Dimensions: W 64 x D 23 x H 43 opens to 81 inches. Available in queen size only.

Kingston

The Kingston Creden-Zzz cabinet bed features natural wicker inlays on the drawer and front panel and is finished in warm amber and honey tones for that tropical vibe. Ornate hardware and attention to classical details are reminiscent of opulent bygone days. Perfect for upscale beach condos as well as traditional home decors. Dimensions: W 64 x D 23 x H 43 opens to 81 inches. Available in queen size only.



Kingston item 573-15



Bridgeport



The Bridgeport Creden-Zzz cabinet bed is inspired by mid-century modern design, and features clean lines and a fresh two-tone finish. The warm tones of the natural pine veneer contrast with a darker solid wood frame. Dimensions: W 64 x D 23 x H 43 opens to 81 inches. Available in queen size only.



Bridgeport item 563-15

Cottage



The Cottage style Creden-Zzz cabinet bed in queen size features a bead board look and is available in a white finish, item 553-10. Queen size only. Dimensions: W 64" x H 43" x D 23" opens to 81 inches.



Cottage item 553-10