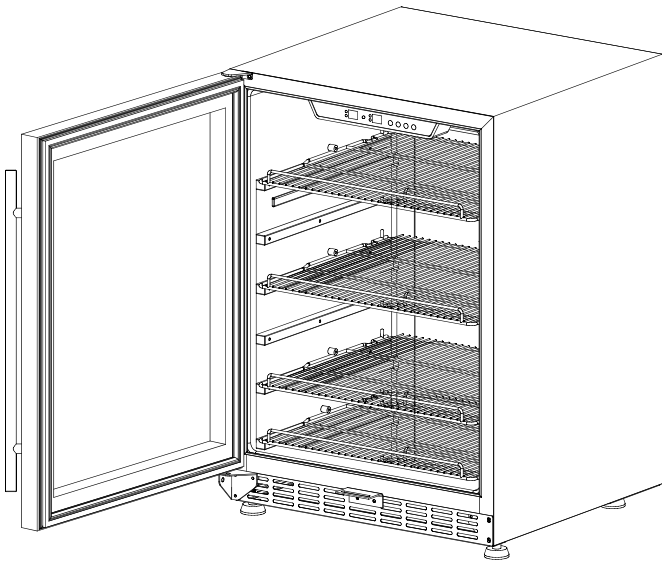
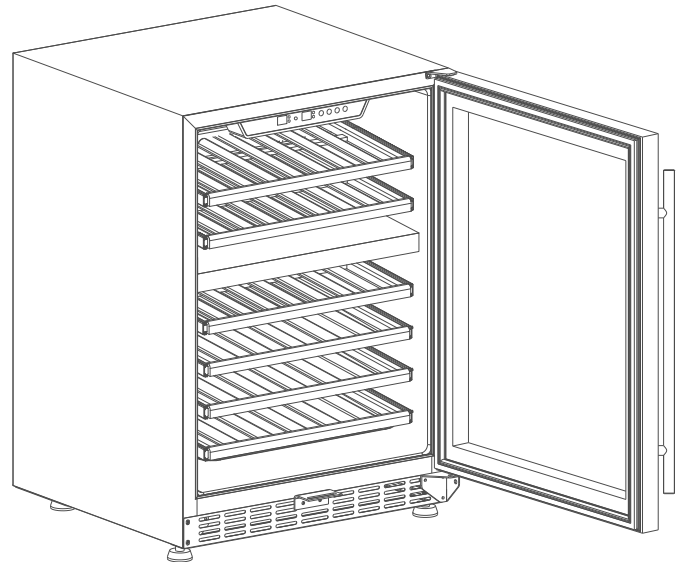


# USER MANUAL

KBUSF50B SINGLE ZONE BEVERAGE COOLER  
KBUSF54D DUAL ZONE WINE COOLER



KBUSF54B SINGLE ZONE BEVERAGE COOLER



KBUSF54D DUAL ZONE WINE COOLER

*(The model number in Australia is KB instead of KBU)*

## PLEASE NOTE:

- Every time the unit is powered ON, there will be a 3-6 minutes delay for the compressor to start.
- For optimal use of KBUSF54D dual zone wine cooler, the temperature of the LOWER cooling chamber / zone should be set at least 4°F (2°C) above the temperature of the UPPER cooling zone.

## COMPRESSOR WINE & BEVERAGE COOLERS

# CONTENTS

## INTRODUCTION

Thank you for choosing KingsBottle for your refrigeration needs. For safe use, please read this manual carefully and follow all instructions. Store this manual near the device for quick referral.

We cannot guarantee safety if this applicant is used for objects other than the intended use or used in any way other than laid out in this manual.

The contents of this manual can change without notice due to improvement of performance or function of the device. Contact our sales representatives if there are any questions about the information contained in this manual. No part of this manual should be reproduced in any form without written permission from KingsBottle.

For important safety notices, please read pages 3. Only qualified service personnel or an authorized agent should provide maintenance for this device.

Only use spare parts sold by KingsBottle. If other accessories are used, we cannot be held responsible for any adverse consequences. However, the user can apply for verification of third-party accessories from KingsBottle before use.

You should inspect and maintain the device according to the specified time intervals found in this manual.

Due to differences between each model and improvements of the devices, the actual product may differ from the diagrams included.

Users have an obligation to be responsible for their own safety.

## TABLE OF CONTENTS

| Chapter   | Contents                                       | Page |
|-----------|--|------|
| Part I    | Important Safety & Pre-Use Instructions        | 3    |
| Part II   | Diagram & Description of Refrigerator          | 4    |
| Part III  | Installation Instructions                      | 5-6  |
| Part IV   | Temperature Setting and Refrigerator Operating | 7-8  |
| Part V    | Layout & Storage                               | 9    |
| PART VI   | Maintenance                                    | 10   |
| Part VII  | Troubleshooting Guide                          | 11   |
| Part VIII | Technical Data                                 | 12   |
| Part IX   | Warranty Information                           | 12   |

**Prop. 65 Warning for California Residents**



**WARNING**

Cancer and Reproductive Harm -  
[www.P65Warnings.ca.gov](http://www.P65Warnings.ca.gov)

# COMPRESSOR WINE & BEVERAGE COOLERS

## PART I PRECAUTIONS FOR SAFE OPERATION



Use a power supply outlet that is properly grounded to prevent electric shock. If it is not grounded, it will be necessary to install a ground by a qualified engineer.

Don't lengthen the line randomly. If you need to use 2.5mm<sup>2</sup> copper line, keep the 4mm<sup>2</sup> lines to connect the electrical outlet.



Be sure to install the unit on a sturdy floor, no shaking or tilting.



Never install the unit in a flammable or volatile location. This may cause explosion or fire.



Never install the unit in a humid place, outdoor or a place with direct sunlight. Deterioration of the insulation may result which could cause current leakage or electric shock.



### CAUTION:

Failure to observe WARNING signs could result in injury to personnel and damage to the unit or associated property.

- The refrigerator must be plugged into its own dedicated 110-115V / 60Hz (USA) | 220-240V/50Hz (AU) AC electrical outlet.
- Always disconnect the power plug when the unit is not used for long periods.
- When you request any repair or maintenance, have a safety check sheet prepared for the safety of service personnel.
- Check all settings on the controller prior to restarting the refrigerator.
- The refrigerator should only be used as a storage device.
- Always hold the handle while closing the door. This will reduce the likelihood of injury to your hand.

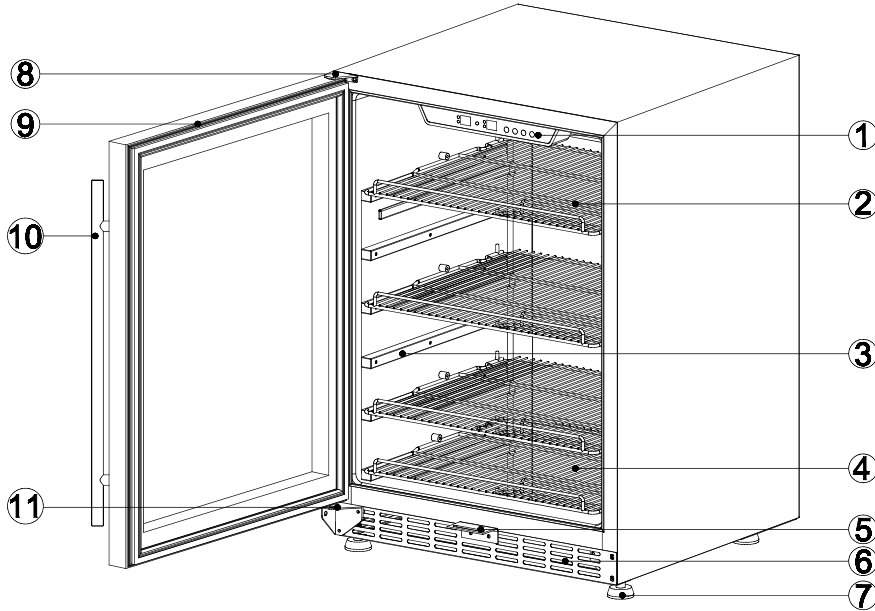
- Locate an even and sturdy floor for installation. This will prevent the unit from tipping or falling. Improper installation may result in injury.
- Regularly check the filter and clean it as necessary. This will avoid possible overheating of the unit.
- When moving the unit, do not tilt it more than 45 degrees. Transportation should be handled with care.

## PRECAUTIONS FOR USE

- Remove the exterior and interior packing.
- Before connecting the refrigerator to the power source, let it stand upright for approximately 24 hours. This will reduce the possibility of a malfunction in the cooling system from handling during transportation.
- When the temperature in the refrigerator has reached the set temperature, put the items in the refrigerator in batches. No more than 1/3 of the volume of items should be used per batch to avoid the temperature rising too much.
- The temperature display will show the temperature around the sensor initially. There will be a difference between the displayed temperature and the actual temperature in the center of the unit at first. The center temperature will gradually approach the displayed temperature.
- To clean the interior surface, use lukewarm water or a diluted neutral detergent and a soft cloth. Do not use brushes, acid, gasoline, soap powders, polish or hot water. These materials may damage the paint surface or plastic and rubber parts. Do not use volatile solvents to wipe plastic or rubber parts.
- If the unit is not used for long periods of time, disconnect the plug from the power source.

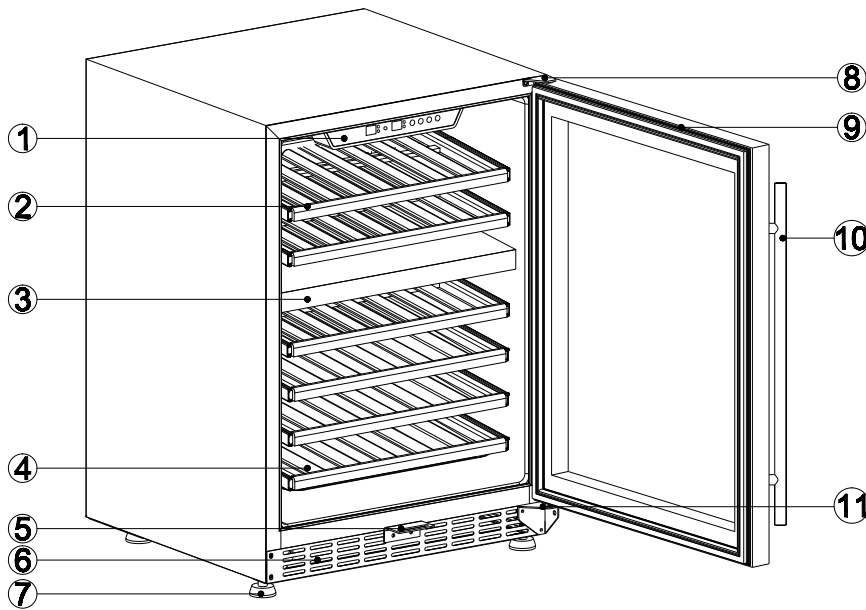
# FEATURES

## PART II DIAGRAM & DESCRIPTION OF REFRIGERATOR



### KBUSF54B SINGLE ZONE BEVERAGE COOLER

- 1 Display and Control Panel
- 2 Full Shelves
- 3 Rack
- 4 Small Shelf
- 5 Latch Hook
- 6 Front Grille
- 7 Adjustable Stand Feet
- 8 Door Upper Hinge
- 9 Door Seal
- 10 Door Handle
- 11 Door Bottom Hinge



### KBUSF54D DUAL ZONE WINE COOLER

- 1 Display and Control Panel
- 2 Full Wooden Shelves
- 3 Compartment Divider
- 4 Small Wooden Shelf
- 5 Latch Hook
- 6 Front Grille
- 7 Adjustable Stand Feet
- 8 Door Upper Hinge
- 9 Door Seal
- 10 Door Handle
- 11 Door Bottom Hinge

#### YOUR REFRIGERATOR ALSO INCLUDES THE FOLLOWING:

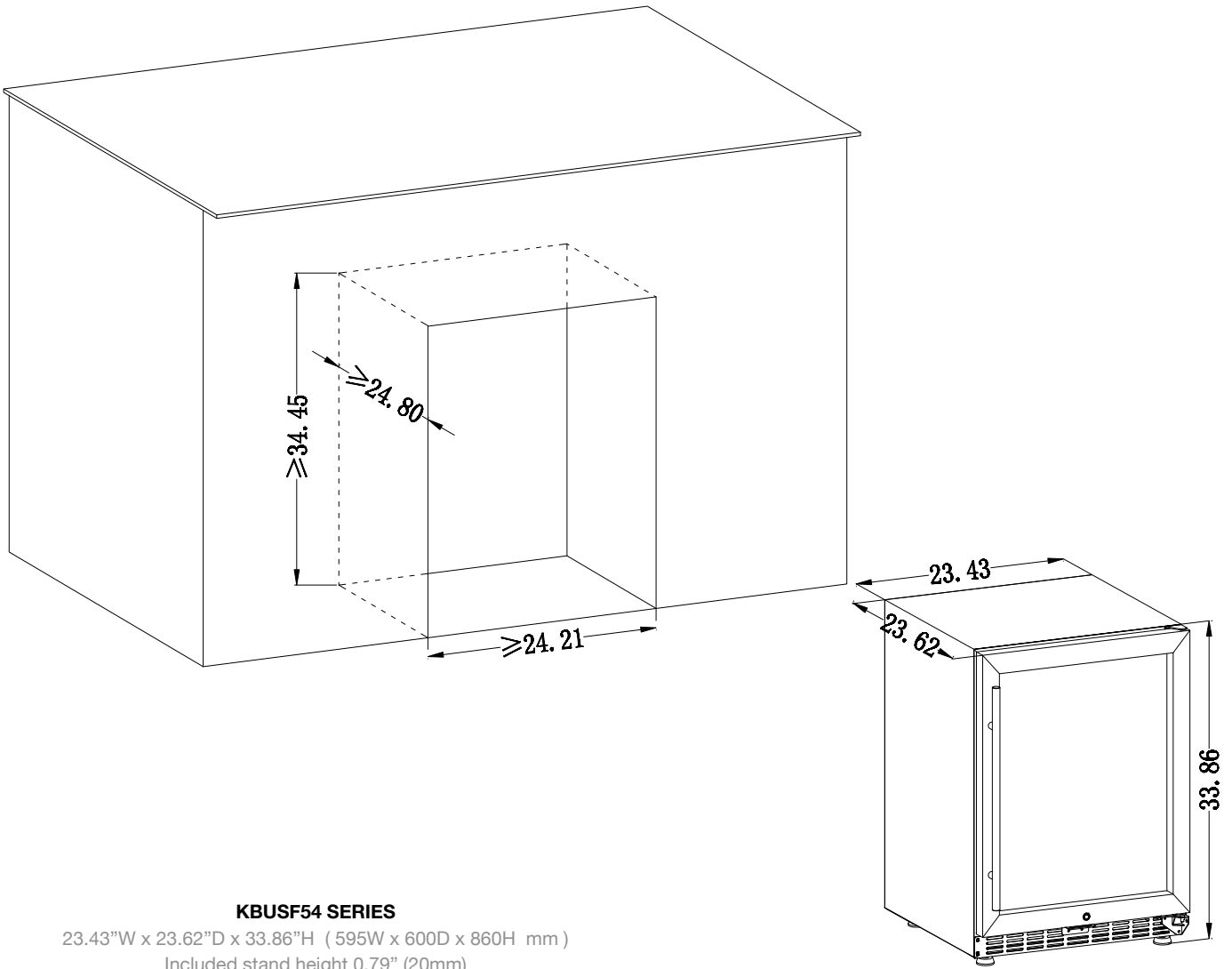
- Instruction manual
- Two keys
- Top and bottom hinges , also screws for changing the door hinge

## COMPRESSOR WINE & BEVERAGE COOLERS

# INSTALLATION

## PART III INSTALLATION INSTRUCTIONS

### CUTOUT DIMENSION ILLUSTRATED



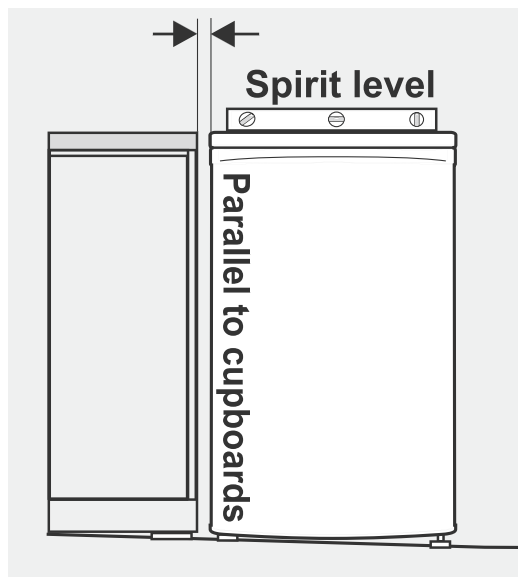
**Notes:** These front-venting models can be built in to cabinetry. Builders should allow an additional 1/2" (10mm) either side of the unit, plus 1" (25mm) behind the unit and 1/2" (10mm) on top. These additional spaces allow units to be placed in position easily, and without power cords being damaged. This also allow hot air that is vented from the front to rise quickly and clear the cool air intake manifold. These clearances help to keep power consumption to a minimum and prolong the life of your refrigerator

# INSTALLATION

## PART III INSTALLATION INSTRUCTIONS

### INSTALLING YOUR REFRIGERATOR

1. Move the unit into its final position .
2. If the unit is not tilting back, minor adjustments can be made to the leveling legs.
3. Compare the alignment of the appliance to the surrounding cupboard . The top of the appliance should be level from side to side (see diagram below) .



4. If the unit now rocks from one corner to the opposite rear corner, this means that the floor is uneven. You may need to put some packing under the ridge to the rear of the appliance . You could use thin pieces of solid material such as thin board, vinyl floor tiles or laminate .
5. You may now need to fine tune the installation by repeating steps 2, 3 and 4 .
6. Wipe off any dust that has accumulated during shipping and clean following the directions in Part VI ( Care & Maintenance)
7. Plug the appliance into the power point. Don't use a double adaptor or extension cord .
8. It is recommended that you let the unit for rest an hour or two before you put any wine bottles in it . This will confirm that it is operating correctly and make the conditions appropriate for wine storage .

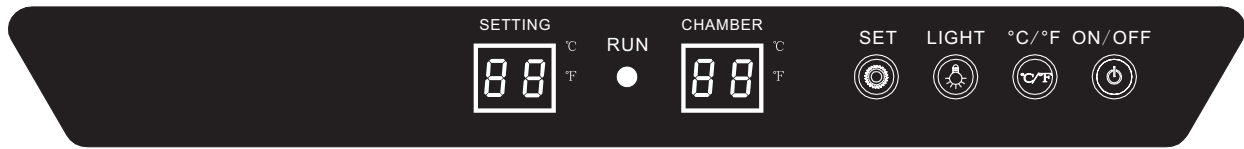
Congratulations! You have successfully installed your refrigerator.

### DOOR LOCK

This unit comes with an optional key lock. The keys are located inside the plastic bag that contains the user manual. To lock the door, simply reverse the operation making sure the metal pin is engaged completely. Then remove the key and place it in a secure place for safekeeping. To unlock the door, insert the key into the lock and turn counterclockwise.

## COMPRESSOR WINE & BEVERAGE COOLERS

## PART IV OPERATING YOUR REFRIGERATOR



**KBUSF54B**  
SINGLE ZONE BEVERAGE COOLER

Each refrigerator includes an operating panel on the front of the unit. The operating panel includes the following features:

### **Display Windows:**

**RUN light:** Indicator light of compressor working. While the compressor operating, the red light is on. While it stops operating, the red light is off.

**CHAMBER:** Displays the actual temperature of the chamber. The range is 32°F to 99°F ( 0°C - 37°C )

**°C / °F light:** When the **°C** light is on, it indicates Celsius temperature; When the **°F** light is on, it indicates Fahrenheit temperature.

### **Button Operation:**

**ON/OFF:** Holding the button for at least 3 seconds, powers the unit ON or OFF.

**LIGHT:** Turns the interior light ON or OFF. (**Note:** Once the light is on, it will automatically turn OFF after 10 minutes.)

**°C / °F:** Celsius and Fahrenheit conversion button.

**SET** button: Temperature setting button; Once you press the button, the temperature increase 1°C or 1°F. Setting range is between 1°C~18°C or 34°F~64°F.

## SETTING THE TEMPERATURE CONTROL

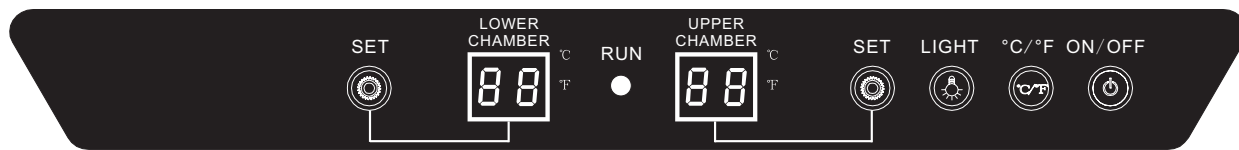
1. Make sure power cord is connected to a properly grounded outlet.
2. Turn Power ON.
3. Press the "SET" button to adjust the temperature. Once you press the button, the temperature increase 1°C or 1°F. Setting range is between 1°C~18°C or 34°F~64°F.

*Note:* This series of BEVERAGE COOLERS has its delay protection function. The compressor will start to work about 3 to 5 minutes after it is power connected or powered off. Please use the refrigerator under the N type of climate. The temperature inside the cabinet will fluctuate and influence the refrigerating effect if the surrounding temperature is too high or too cold.

### CAUTION

1. In the event of a power interruption, all previous temperature settings will be automatically saved and each compartment will return to the previous temperature setting.
2. If the unit is unplugged, loses power, or is turned off, there will be a 3-5 minute delay for the compressor to restart after the unit is powered ON.
3. When you use the refrigerator for the first time or restart the refrigerator after having been shut off for a long time, there will be a few degrees variance between the temperature you select and the one indicated on the LED readout for the first few hours of operation. After a few hours of operation, the temperature will normalize to the displayed temperature.

# OPERATION



## KBUSF54D DUAL ZONE WINE COOLER

Each refrigerator includes an operating panel on the front of the unit. This operating panel includes several features to operate and control the temperature of both the upper and lower zones of the wine cooler.

The operating panel includes the following features:

### Display Windows:

**RUN light:** Indicator light of compressor working. While the compressor operating, the red light is on. While it stops operating, the red light is off.

**UPPER CHAMBER:** Displays the actual temperature of the upper chamber / zone. The range is 32°F to 99°F ( 0°C - 37°C )

**LOWER CHAMBER:** Displays the actual temperature of the lower chamber / zone. The range is 32°F to 99°F ( 0°C - 37°C )

**°C / °F light:** When the °C light is on, it indicates Celsius temperature; When the °F light is on, it indicates Fahrenheit temperature.

### Button Operation:

**ON/OFF:** Holding the button for at least 3 seconds, powers the unit ON or OFF.

**LIGHT:** Turns the interior light ON or OFF. ( **Note:** Once the light is on, it will automatically turn OFF after 10 minutes.)

**°C / °F:** Celsius and Fahrenheit conversion button.

**SET** button of the upper chamber: Temperature setting button; Once you press the button, the temperature increase 1°C or 1°F. Setting range is between 5°C~12°C or 41°F~54°F.

**SET** button of the lower chamber: Temperature setting button; Once you press the button, the temperature increase 1°C or 1°F. Setting range is between 12°C~22°C or 54°F~72°F.

## SETTING THE TEMPERATURE CONTROL

IMPORTANT: IN ORDER FOR THIS UNIT TO FUNCTION AT OPTIMUM LEVEL, THE LOWER COMPARTMENT SHOULD BE SET AT LEAST 4-DEGREES (F) HIGHER THAN THE UPPER COMPARTMENT.

1. Make sure power cord is connected to a properly grounded outlet.
2. Turn Power ON.
3. Each zone is independently controlled. Press the "SET" button to adjust the temperature.
  - Upper Chamber / Zone: The temperature setting can be adjusted between 5°C~12°C or 41°F~54°F
  - Lower Chamber / Zone: The temperature setting can be adjusted between 12°C~22°C or 54°F~72°F

*Note:* This series of WINE & BEVERAGE COOLERS has its delay protection function. The compressor will start to work about 3 to 5 minutes after it is power connected or powered off. Please use the refrigerator under the N type of climate. The temperature inside the cabinet will fluctuate and influence the refrigerating effect if the surrounding temperature is too high or too cold.

## TEMPERATURE SETTINGS FOR WINE SERVICE

Different varieties of wine require different temperature settings. The recommended temperature ranges for long term storage of different varieties of wine are listed below.

- Red Wines: 52-64°F
- White Wines: 44-51°F
- Sparkle Wines: 41-43°F

### CAUTION

1. In the event of a power interruption, all previous temperature settings will be automatically saved and each compartment will return to the previous temperature setting.
2. If the unit is unplugged, loses power, or is turned off, there will be a 3-5 minute delay for the compressor to restart after the unit is powered ON.
3. When you use the refrigerator for the first time or restart the refrigerator after having been shut off for a long time, there will be a few degrees variance between the temperature you select and the one indicated on the LED readout for the first few hours of operation. After a few hours of operation, the temperature will normalize to the displayed temperature.

# COMPRESSOR WINE & BEVERAGE COOLERS



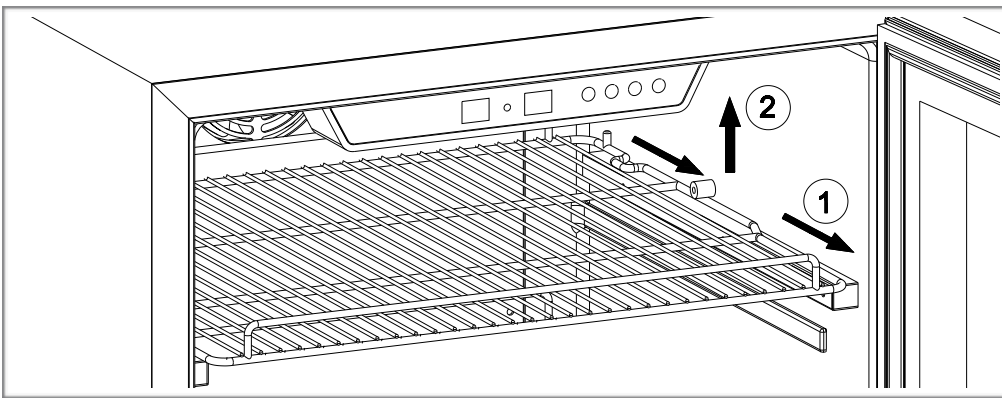
## PART V LAYOUT AND STORAGE

**YOUR CABINET WAS DESIGNED TO STORE A MAXIMUM NUMBER OF BOTTLES SECURELY. WE RECOMMEND THAT YOU OBSERVE THE TIPS BELOW TO OPTIMIZE LOADING.**

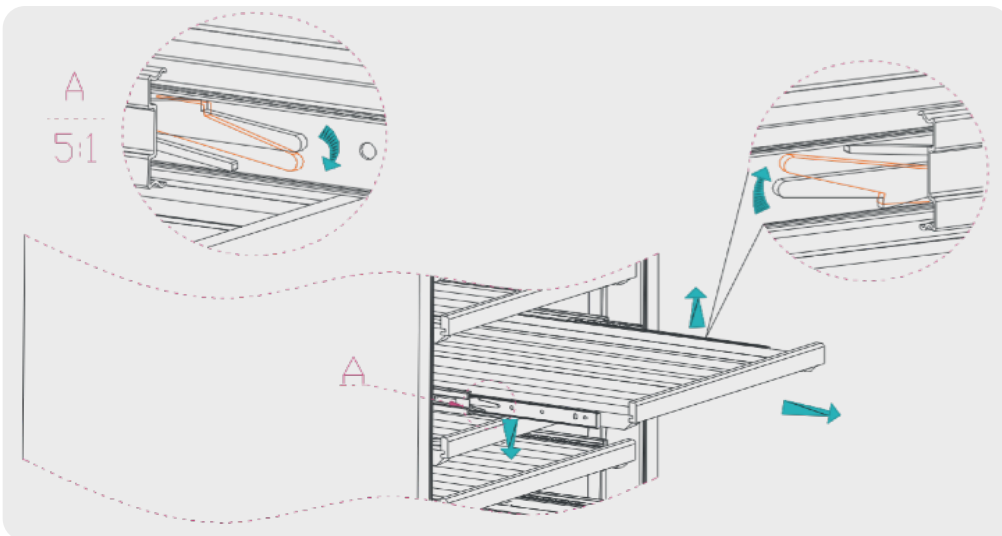
1. Disperse your bottles even so as not to concentrate weight in any one area. Also, be careful that your bottles do not touch either the back of the cabinet or the step at the bottom.
2. Also make sure that bottles are not all grouped together either at the top or bottom of the cabinet.
3. A cooler that is full and has nice allowance for air movement will work more efficiently.
4. Never try to adjust shelf with bottles still on it.

### TO REMOVE A ROLLING SHELF:

1. Remove all bottles
2. Pull the shelf out as far as possible
3. Remove the shelf



**KBUSF54B**  
BEVERAGE COOLER  
METAL SHELVES



**KBUSF54D**  
WINE COOLER  
WOOD SHELVES



### PLEASE NOTE

Before modifying your cabinet's original configuration in any way, be sure to ask your dealer for advice.

# MAINTENANCE

## PART VI CARE AND MAINTENANCE

### CLEANING YOUR REFRIGERATOR



**BEFORE CLEANING:** Turn off the power, unplug the appliance, and remove all items including all shelves.

- Wash the inside surfaces with warm water and baking soda solution. The solution should be about 2 tablespoons of baking soda with a quart of water.
- Wash the shelves with a mild detergent solution.
- Wring excess water out of the sponge or cloth when cleaning area of the controls, or any electrical parts.
- Wash the outside cabinet with warm water and mild liquid detergent. Rinse well and wipe dry with a clean soft cloth.
- After installation, **we recommend that owners apply a thin layer of Olive Oil with a clean rag, to all exposed Stainless Steel areas.** This should then be polished in and buffed off with another clean rag to a non-oily finish. This process will aid protection against dirt and other corrosive contaminants, by providing a temporary food-safe shield. The Olive Oil layer also makes later polishing and removal of fingerprints easier. This process should be repeated frequently every 3-4 months. ALL stainless steel can rust, it is a myth that stainless steel doesn't rust.

### POWER FAILURE

Most power failures are corrected within a few hours and should not affect the temperature of your appliance if you minimize the number of times the door is opened. If the power is going to be off for a longer period of time, you need to take the proper steps to protect your contents.

### VACATION TIME

**Short vacations:** You may leave the refrigerator operating during vacations of less than three weeks.

**Long vacations:** If the appliance will not be used for several months, remove all items and turn off the appliance. Clean and dry the interior thoroughly. To prevent mold growth, leave the door open slightly, blocking it open if necessary.

### MOVING YOUR Refrigerator

1. Remove all items.
2. Securely tape down all loose items (shelves) inside your appliance.
3. Turn the adjustable leg up to the base to avoid damage.
4. Tape the door shut.
5. Be sure the appliance stays secure in the upright position during transportation. Also protect the outside of the appliance with a blanket or similar item.

### ENERGY SAVING TIPS

1. The refrigerator should be located in the coolest area of the room, away from heat producing appliances, and away from direct sunlight. Ventilation at rear also helps a lot with energy usage, so create a positive air flow where possible, although with this range they are designed to be fully built in.
2. When you are not using cooler during weekdays etc. it is recommended to set the temp at a higher level, so set at 64°F (18°C) during periods of non usage, this will not only mean less run time, it also still keeps drinks at a temp that won't be spoiled. It saves energy also which these days is a growing concern for most households.
3. Keep the cooler stocked, an empty cooler will run longer, believe it or not.

## COMPRESSOR WINE & BEVERAGE COOLERS

# TROUBLESHOOTING GUIDE

## PART VII TROUBLESHOOTING GUIDE

| PROBLEM  | POSSIBLE CAUSE  | Solution   |
|--|---|--|
| Refrigerator does not operate  | 1. Not plugged in<br>2. The appliance is turned OFF at the control panel<br>3. The circuit breaker has tripped or a fuse has blown out  | Press ON/OFF<br>Check and make sure the power plug is well connected<br>Ask an engineer for help   |
| Refrigerator is not cold enough; can not cool down to the preset temp. | Compressor does not start   | ask an engineer for help / check the connection of the compressor  |
|  | Compressor self-protected and has stopped operating   | The ambient temperature is too high ( over 38C degree Celsius)<br>The air venting is not smooth, check that the air duct is not blocked<br>Fan operates slowly or is faulty and has stopped operating.<br>The door is not closed completely, or the door opened too long<br>The compressor, or its components are faulty |
|  | Fans stop working or operate at low speed   | Ask an engineer for help. Power the refrigerator ON and OFF. Check the fan and whether the voltage is normal. If the voltage is normal, then the fan should be damaged   |
|  | Evaporator ices up  | Turn OFF the refrigerator for one hour and open the door. The ice on the evaporator will melt. Check the door seal for any air gaps.   |
|  | Door is not closed properly   | Check the door lock, shelves, or other objects, make sure door is well closed.<br>Check the rubber seal for any air gaps.<br>Check the door hinges, make sure they are not loose   |
|  | Condenser is dusty  | Wash and clean the condenser   |
|  | Cooling system faulty (Gas leakage or blockage)   | Ask an engineer for help   |
| Compressor starts and stops frequently                                 | The door gasket does not seal properly.   | Use low heat on a hair dryer to make the door seal take shape.   |
|  | The sensor connection is wrong.   | Read the wiring diagram to make the correct connection of sensor   |
|  | The sensor is faulty.   | Replace with a new sensor  |
|  | The door is opened too often.   | Reduce the times / frequency of door openings.   |
| The light does not work.   | Not plugged in, or the light button is "OFF".<br>Light itself faulty.   | Check and make sure the light button is ON, or ask an engineer for help.   |
| The Refrigerator seems to make too much noise.                         | The stand feet is not leveling, vibrations lead to noise  | Adjust the stand feet and ensure they are level.   |
|  | Copper pipe hits other objects and makes noise  | Gently adjust the position of the pipe.  |
|  | When the compressor shuts down or starts, it is normal for noise from the vibrations generated by the internal moving parts due to inertia.<br>A liquid plumbing noise may come from the flow of the refrigerators gases, which is normal. As each cycle ends, you may hear gurgling sounds | Take no action<br>Take no action   |
| The door will not close properly.                                      | Door is blocked by the door lock, shelves, or other objects.  | Remove the barrier   |
|  | Door sealing rubber is deformed   | Repair or replace the rubber seal  |
|  | Door hinges are not loose.  | Adjust and fasten the hinges.  |
| Ice up   | Outlet / suction outlet blockage  | Remove the barrier   |
|  | Fans stop working or operate at low speed.  | Ask an engineer for help. Power the refrigerator ON and OFF. Check the fan and the voltage. If the voltage is normal, the fan may be damaged.  |
|  | The door gasket does not seal properly; or door is opened too often   | Use low heat on a hair dryer to make the door seal take shape.   |
|  | Gas leakage or cooling system blockage  | Ask an engineer for help   |
| External cabinet seems too hot   | Ambient temperature is too high, or direct sunshine   | Operating conditions need to be improved   |
|  | Front grill outlet / suction outlet blockage  | Remove the barrier   |
|  | Fans stop working or low speed operating  | Ask engineer for help, power on the refrigerator, check the fan whether the voltage is normal or not. If the voltage is normal, the fan should be damage   |
| Water drop on glass door   | Ambient humidity is high  | Use a soft cloth to clean the water  |
|  | Door is opened too often  | Reduce the times / frequency of door opening.  |
|  | The door gasket does not seal properly  | Use low heat on a hair dryer to make the door seal take shape.   |

# TECHNICAL DATA

## PART X TECHNICAL DATA

| MODEL NO.                    | KBUSF54B  | KBUSF54D  |
|------------------------------|---|---|
| VOLUME                       | 5.79 CF ( 164 Liter )   | 5.44 CF ( 154 Liter )   |
| TYPE OF COOLING              | compressor with air-circulated fan cooling  | compressor with air-circulated fan cooling  |
| CLIMATE TYPE                 | N   | N   |
| ELECTRICITY PROTECTION GRADE | I   | I   |
| NOMINAL VOLTAGE/FREQUENCY    | 110-115V/60HZ (USA)<br>220-240V/50HZ (AU)   | 110-115V/60HZ (USA)<br>220-240V/50HZ (AU)   |
| RATED POWER(W)               | 100W / 1.1A   | 100W / 1.1A   |
| AMBIENT TEMPERATURE          | 32 - 100 °F   | 32 - 100 °F   |
| TEMPERATURE RANGE            | 1°C~18°C or 34°F~64°F   | Upper Chamber / Zone: 5°C~12°C or 41°F~54°F;<br>Lower Chamber / Zone: 12°C~22°C or 54°F~72°F    |
| NET WEIGHT                   | 114 lbs (52 KGS)  | 121 lbs (55 KGS)  |
| DIMENSION                    | 23.43"W x 23.62"D x 33.86"H;<br>( 595W x 600D x 860H mm )<br>Included stand height 0.79" (20mm) | 23.42"W x 23.62"D x 33.86"H;<br>( 595W x 600D x 860H mm )<br>Included stand height 0.79" (20mm) |

## PART IX WARRANTY INFORMATION

Please speak to your retailer before calling us if you did not purchase your refrigerator directly from KingsBottle.

**WHO IS COVERED:** This warranty is extended only to the original end-user purchaser or the person receiving the product as a gift, and shall not be extended to any other person or transferee.

**LIMITED WARRANTY** – If your refrigerator is not operating properly, KingsBottle reserves the right to repair or replace the refrigerator. KingsBottle may request the consumer to contact a local refrigeration company to service the refrigerator. All cost for labor and materials is covered for 2-year from the date of receipt. If KingsBottle deems the unit not repairable, KingsBottle will use the value of your original order toward a replacement (Any replacement unit will follow the warranty terms of the initial purchase). For customer service, please e-mail us via [hello@kingsbottle.com](mailto:hello@kingsbottle.com).

**THE LIMITED WARRANTY DOES NOT COVER:** Damage due to such things as an accident, misuse, abuse, mishandling, neglect, unauthorized repair or any other cause beyond the control of the seller whether similar or dissimilar to the foregoing. Purchaser understands and acknowledges that the goods sold here are WINE & BEVERAGE COOLERS, which house beer and other wines. Purchaser assumes all the risk of using these units, including the risk of spoilage, humidity variations, temperature variations, leaks, fires, water damage, mold, mildew, dryness and similar perils that may occur.

**SPECIAL NOTE:** Warranty is only honored for the unit which is used in the countries where the unit was initially purchased. And, if your product was purchased at any 3rd party retailer and not directly from KingsBottle, we do not offer an extended warranty policy. You MUST contact the retailer of purchase directly. In the event your retailer does not offer an extended warranty plan, we recommend you contact a third party warranty provider. However, regardless of point of purchase, all KingsBottle coolers are backed by a TWO YEAR manufacturer's warranty from date of sale.

# COMPRESSOR WINE & BEVERAGE COOLERS