

USER MANUAL

DUAL ZONE WINE REFRIGERATORS
KBU145DX | KBU265DX | KBU425DX



KBU145DX-FG

KBU265DX-FG

KBU425DX-FG

KBU425DX-SS

KBU265DX-SS

KBU145DX-SS

BORDERLESS BLACK GLASS DOOR SERIES

GLASS DOOR WITH STAINLESS TRIM SERIES

Description of Product Number:

KBU: KingsBottle USA
KB: KingsBottle (Australia)

DX: Dual Zone Wine Cooler With Inverter Compressor
SS: Glass Door With Stainless Steel Door Frame
FG: Borderless Black Glass Door

PLEASE NOTE:

- Before connecting the refrigerator to the power source, let it stand upright for approximately 2 hours. This will reduce the possibility of a malfunction in the cooling system from handling during transportation.
- Every time the unit is powered ON, there will be a 6-minute delay for the compressor to start.
- This appliance is using flammability refrigerant, flammable and explosive articles should not be put in or near the cabinet, to avoid the fire or explode caused.

COMPRESSOR WINE REFRIGERATORS

CONTENTS

Congratulations

Congratulations and thank you for choosing our KingsBottle wine coolers. We are sure you will find your new appliance a pleasure to use. Before installing and operating the wine cooler, we recommend that you read through this manual which provides a description of your wine cooler and its functions.

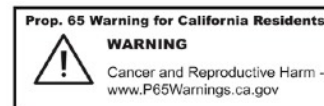
To avoid the risks that are always present when you use an electric appliance, it is important that the appliance is installed correctly and that you read the safety instructions carefully to avoid misuse and hazards.

We recommend that you keep this instruction booklet for future reference and pass it on to any future owners.

After unpacking the appliance, please inspect it to verify it is not damaged. If in doubt, do not use the appliance but contact us or your local customer care center.

TABLE OF CONTENTS

Chapter	Contents	Page
Part I	Important Safety & Pre-Use Instructions	3
Part II	Diagram & Description of Refrigerator	4
Part III	Installation Instructions	5-8
Part IV	Layout & Storage	9-10
Part V	Temperature Setting and Operating the Refrigerator	11
PART VI	Troubleshooting Guide	12-14
Part VII	Maintenance Guide	15
Part VIII	Technical Data	16
Part IX	Warranty Information	16



DISCLAIMER

The manufacturer accepts no liability for any spoilage to the content of the refrigerator, not even when the device is within the warranty period. Similarly, the manufacturer accepts no liability for personal injury due to incorrectly stored goods, which are for personal consumption or resale.

COMPRESSOR WINE REFRIGERATORS

PART I IMPORTANT SAFETY INSTRUCTIONS

Please read this user manual carefully and store in a handy place for later reference. The symbols you will see in this booklet have these meanings:



WARNING

This symbol indicates information concerning your personal safety



CAUTION

This symbol indicates information on how to avoid damaging the appliance



TIPS & INFORMATION

This symbol indicates tips and information about the use of the appliance



ENVIRONMENTAL TIPS

This symbol indicates tips and information about economical and ecological use of the appliance



WARNING

TO REDUCE THE RISK OF FIRE, ELECTRICAL SHOCK, OR INJURY WHEN USING YOUR APPLIANCE, FOLLOW THESE BASIC PRECAUTIONS:

1. Read all instructions before using the wine cooler.
2. DANGER or WARNING: Risk of child entrapment. Child entrapment and suffocation pose a serious problem and children should not be let near the appliance unsupervised. Junked or abandoned appliances are still dangerous... even if they will "just sit in the garage for a few days."
3. Before you throw away your old wine cooler:
 - Take off the door.
 - Dismantle the Shelves into pieces so that children may not climb inside easily.
4. Never allow children to operate, play with, or crawl inside the appliance.



WARNING

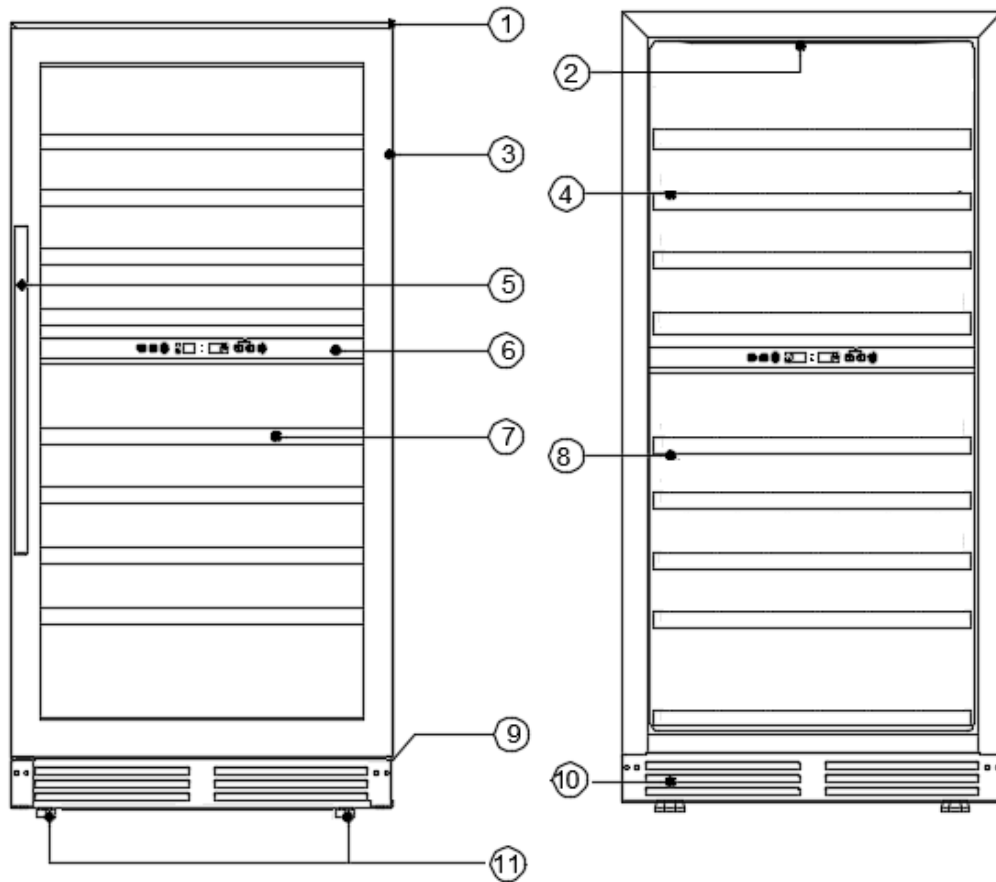
1. The wine cooler must be plugged into its dedicated 110/115V, 60Hz AC electrical outlet.
(Note: 220/240V, 50 Hz in Australia)
2. The plug must be accessible when the cooler is in position.
3. It is essential that the power point is properly grounded. Consult a qualified electrician if you are unsure.
4. Don't use extension cords or adapter plugs with this cooler.
5. If the power cord is damaged, have it replaced by a qualified service technician.
6. Unplug the cooler before cleaning it, or changing the light bulb to avoid electric shock.
7. Never clean appliance parts with flammable fluids. The fumes can create a fire hazard or explosion.
8. Never unplug the cooler by pulling the electrical cord as this may damage it. Grip the plug firmly and pull straight out.
9. Choose a location for your cooler that isn't too cold. The ambient room temperature should be above 50° F.
10. Stand your cooler in a dry place – avoid areas of high moisture or humidity.
11. Don't put the cooler in frosty or unprotected areas like a garage or on the verandah.
12. Keep the cooler out of direct sunlight.
13. Don't locate the cooler near stoves, fires or heaters.
14. Do not store in the vicinity of any other appliance. Do not store near gasoline or any other flammable vapors. The fumes can create an explosion or lead to a fire hazard.
15. When installed correctly, your cooler should:
16. Have adequate space at the back and sides for air circulation. (See Page 5)
17. Be aligned to the surrounding cupboards.
18. Have doors that will self-close from a partially open position

BEFORE USING YOUR WINE COOLER

- Remove the exterior and interior packing.
- Before connecting the wine cooler to the power source, let it stand upright for approximately 24 hours. This will reduce the possibility of a malfunction in the cooling system from handling during transportation.
- Clean the interior surface with lukewarm water using a soft cloth.

FEATURES

PART II DIAGRAM & DESCRIPTION OF REFRIGERATOR



- | | | |
|------------------|-------------------------|--------------------------|
| 1 Top Hinge | 5 Handle | 9 Lower Hinge |
| 2 Interior Light | 6 Display Control Panel | 10 Front Grille |
| 3 Door | 7 Sliding shelf | 11 Adjustable Stand Feet |
| 4 Upper Zone | 8 Lower Zone | |

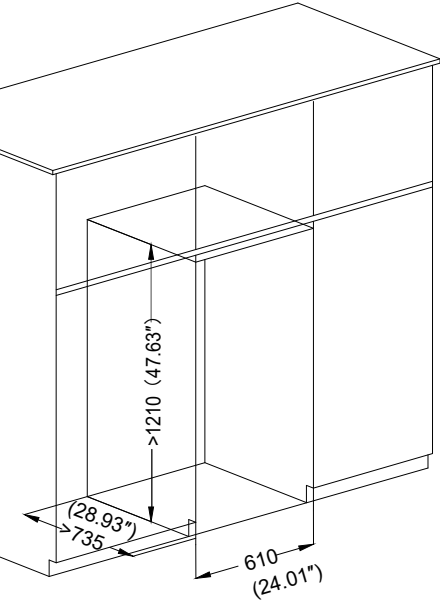
YOUR WINE COOLER ALSO INCLUDES THE FOLLOWING:

- Instruction manual
- Two keys
- Top and bottom hinges, also screws for changing the door hinge

COMPRESSOR WINE REFRIGERATORS

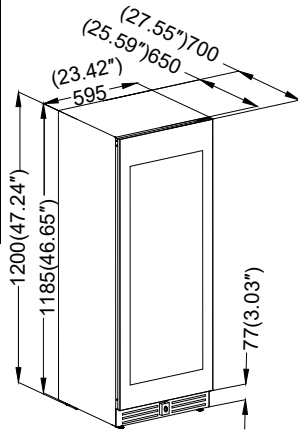
INSTALLATION

PART III INSTALLATION INSTRUCTIONS



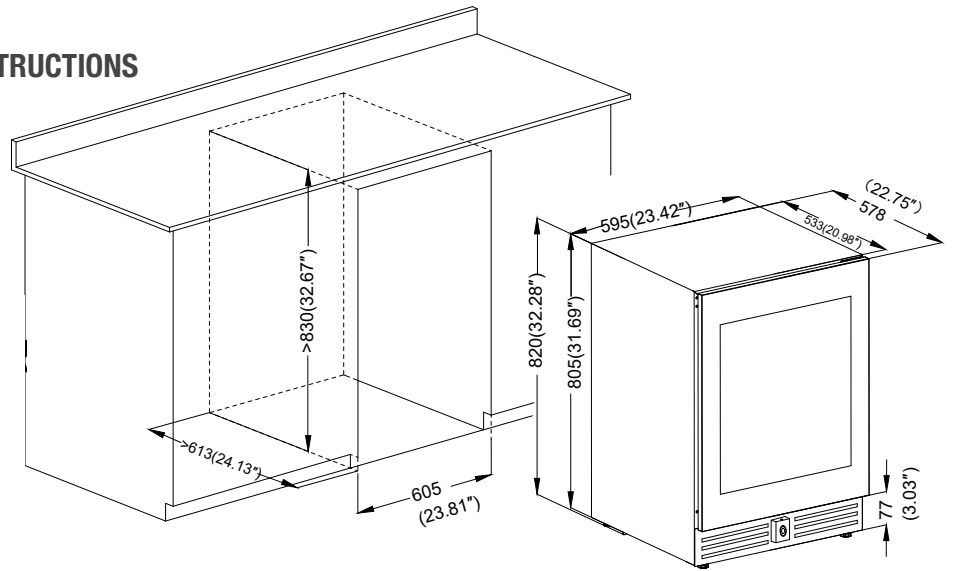
KBU265 SERIES

23.42"W x 27.55"D x 47.24"H
(595W x 700D x 1200H mm)
Included stand height 0.59"(15mm)



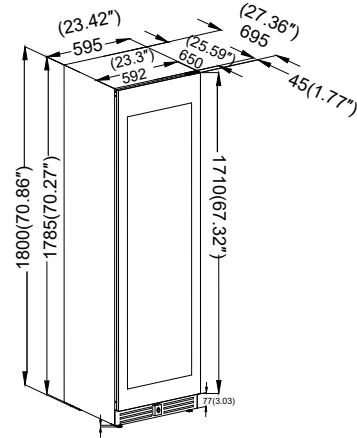
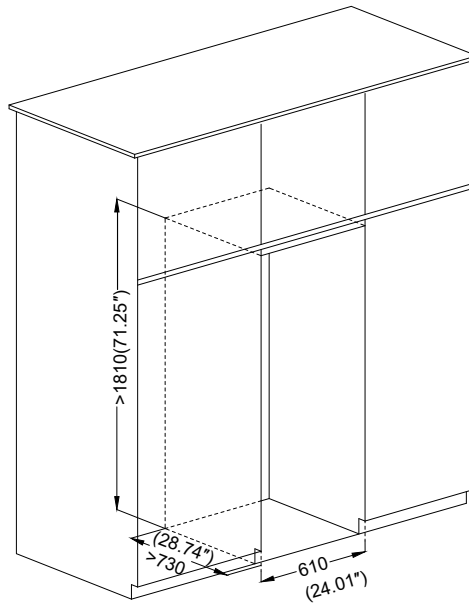
KBU145 SERIES

23.42"W x 22.75"D x 32.28"H
(595W x 578D x 820H mm)
Included stand height 0.59" (15mm)



KBU425 SERIES

23.42"W x 27.36"D x 70.86"H
(595W x 695D x 1800H mm)
Included stand height 0.59"(15mm)



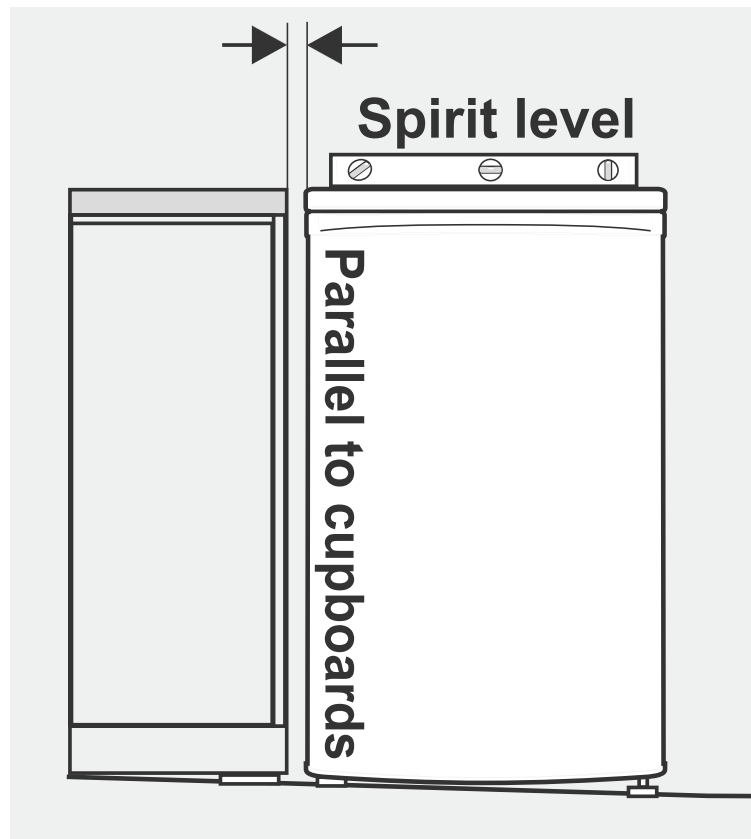
MODEL	WIDTH	DEPTH	HEIGHT	INCLUDED STAND HEIGHT	NOTE
KBU145	23.42" 595mm	22.75" 578mm	32.28" 820mm	0.59" 15mm	These front-venting models can be built into cabinetry. Should it be built into cabinetry, there should be an additional 0.5" (20mm) on either side, behind and on top of the unit. These extra spaces enable units to be placed in the position efficiently, accommodate the door when opened, and without the power cords being damaged.
KBU265	23.42" 595mm	27.55" 700mm	47.24" 1200mm	0.59" 15mm	
KBU425	23.42" 595mm	27.36" 695mm	70.86" 1800mm	0.59" 15mm	

INSTALLATION

PART III INSTALLATION INSTRUCTIONS

INSTALLING YOUR WINE COOLER

1. Move the unit into its final position.
2. If the unit is not tilting back, minor adjustments can be made to the leveling legs.
3. Compare the alignment of the appliance to the surrounding cupboard. The top of the appliance should be level side to side (see diagram below).
4. If the unit now rocks from one corner to the opposite rear corner, this means that the floor is uneven. You may need to put some



packing under the ridge to the rear of the appliance. You could use thin pieces of a solid material such as a thin board, vinyl floor tiles or laminate.

5. You may now need to fine tune the installation by repeating steps 2, 3 and 4.
6. Wipe off any dust that has accumulated during shipping and clean following the directions in Part VI (Care & Maintenance)
7. Plug the appliance into the power point. Don't use a double adaptor or extension cord.
8. It is recommended that you allow the unit to rest an hour or two before you put any wine bottles in it. This will confirm that it is operating correctly and make the conditions appropriate for wine storage.

Congratulations! You have successfully installed your wine cooler.

DOOR LOCK

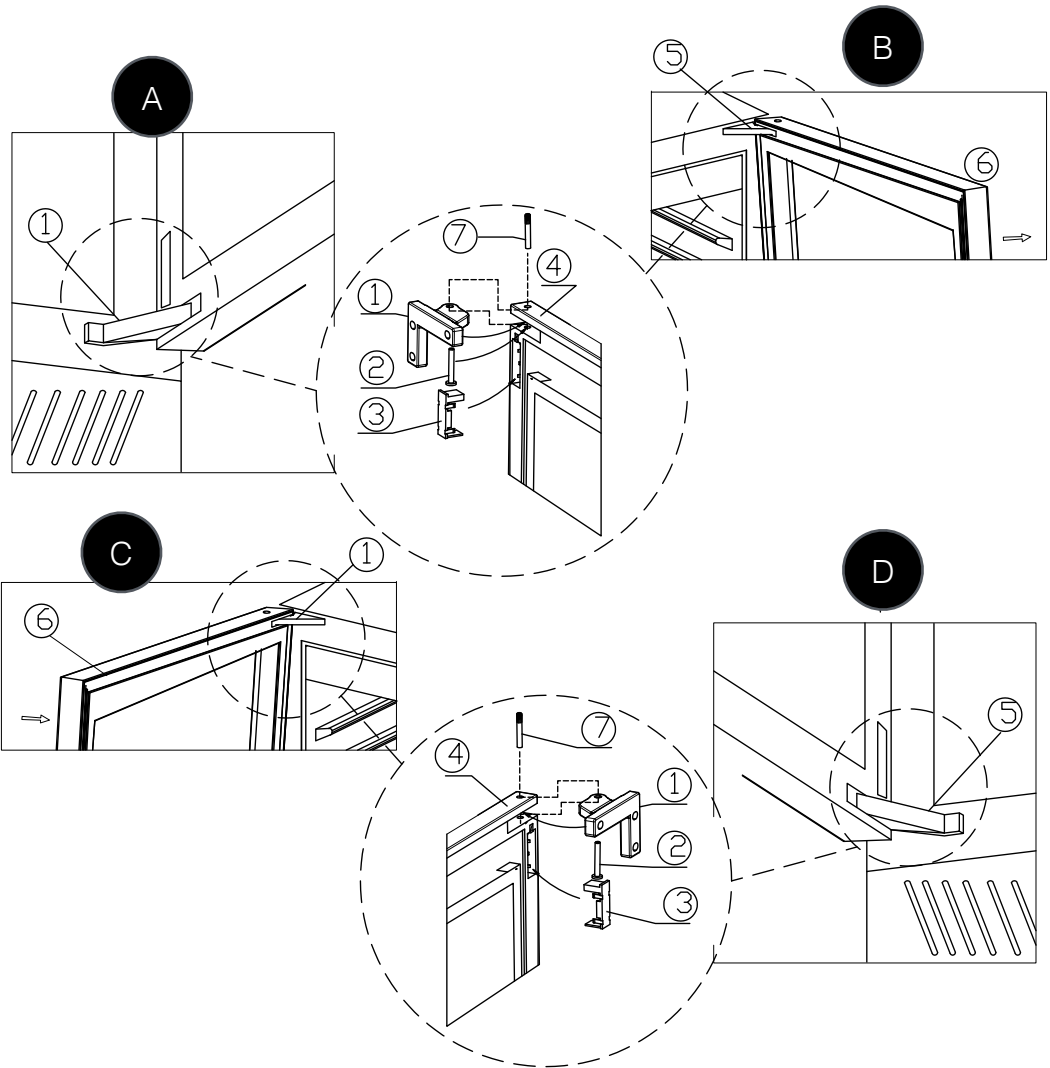
This unit comes with an optional key lock. The keys are located inside the plastic bag that contains the user manual. To lock the door, simply insert the key into the lock and turn clockwise making sure the metal pin is engaged completely. Then remove the key and place it in a secure place for safekeeping. To unlock the door, insert the key into the lock and turn counterclockwise.

COMPRESSOR WINE REFRIGERATORS

INSTALLATION

REVERSE THE DOOR

- ① Upper Hinge
- ② Hinge Shaft
- ③ Hinge Buckle
- ④ Upper Hinge
- ⑤ Lower Hinge
- ⑥ Glass Door

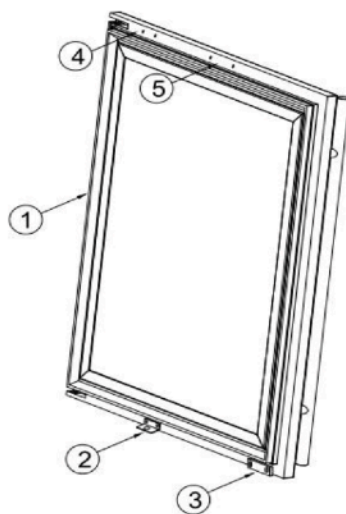


1. As shown in Figure A, use a flat-blade screwdriver to open the upper hinge buckle to see the hinge shaft, and then use a flat-blade screwdriver to pry the hinge shaft and take it out. Then unscrew the lower hinge in the same way.
2. As shown in Figure B, the installation method of the upper part of the door is the same as the lower part.
3. When the upper and lower parts are removed, pull the door parallel to the outside. The door can be taken out.
4. Remove the glass door, use the hex wrench to remove the upper door hinge and the lower door hinge mounting screws, and remove the upper and lower door hinges.
5. Pay special attention to this: 1) The glass door is turned 180 degrees to install, and the lock hook and magnet of the door are removed and reinstalled to the other side. 2) The upper hinge and lower hinge are also exchanged at the same time. The right upper hinge is changed into the left lower hinge. The right lower hinge is changed into the left upper hinge. Becomes the lower door hinge, and becomes the upper door hinge when the right lower door hinge is changed to the left side;
6. Install the door hinge first as shown in Figure C, and install the lower door hinge as shown in Figure D.
7. Lift the door as shown in Figure D. Firstly insert the lower hinge into the corner fittings, align the mounting holes, and insert the hinge shaft into the hinge hole in position. Then cover back the Hinge buckle. The installation of the lower part of the door is completed;
8. Install the upper part of the door as shown in Figure C, the same method as the lower part of the installation door. In the end the door revert is finished.
9. Install the door hinge Note: When installing the upper door hinge, please move the door hinge to the side of the outer casing and then tighten the screw. After the lower door is installed, move the screw to the inside of the outer casing and tighten the screw to prevent the door from falling.

INSTALLATION

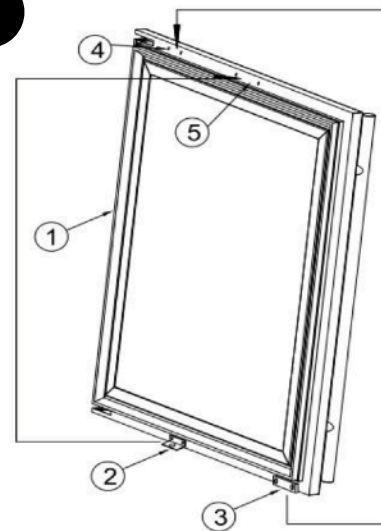
CHANGE THE DOOR ALARM PARTS

- ① Door
- ② Lock
- ③ Door Alarm Magnet
- ④ Magnet Fix Hole
- ⑤ Lock Fix Hole



A

B

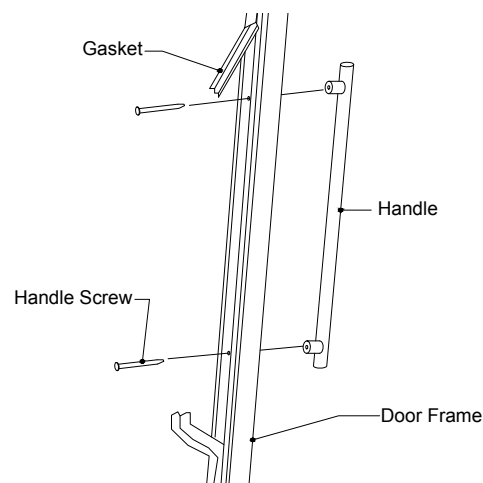


- Step 1: After the door is flipped, disassemble the lock and the door alarm magnet (No. 2 and No.3 in the picture);
- Step 2: Install the locking plate (No. 2 in the picture) to position No. 5;
- Step 3: Install the magnet (No. 3 in the picture) to the position No. 4 in the picture.

INSTALL THE DOOR HANDLE

Install the door handle provided with the appliance by following these steps:

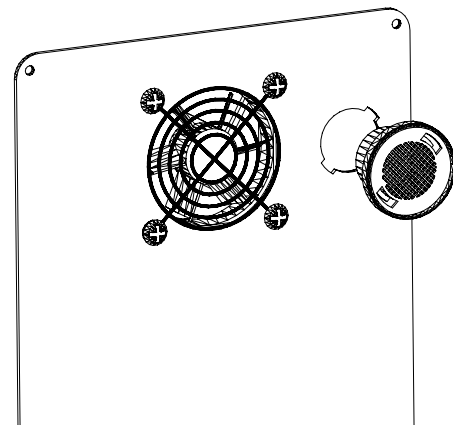
- Step 1 -Remove the gasket at the inner side of the door to expose the two screw holes.
- Step 2 -Install the handle tightly with the screws and washers provided.
- Step 3 -Tidy and restore the gasket.



CHARCOAL FILTRATION SYSTEM

Your wine is a living object that breathes through the cork. In order to maintain the quality and taste of fine wine, it must be stored under ideal temperature and environmental conditions. Your wine refrigerator is equipped with an activated carbon filtration system to ensure pure air, efficient cooling and maintain odor-free cabinets to store your fine wines. The filter assembly is located on the rear panel inside the cellar. We recommend replacing this filter every 12 months. To replace the filter:

- Remove the bottles stored on the two shelves in front of the filter.
- Remove the shelves and set aside
- Hold the filter and turn it counterclockwise 45 degrees and pull it out.
- Place the new filter into the hole and turn the filter 45 degrees clockwise.

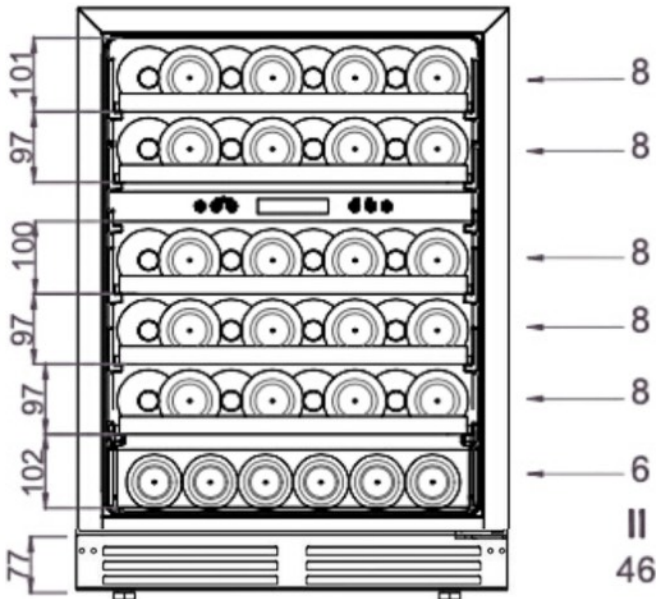
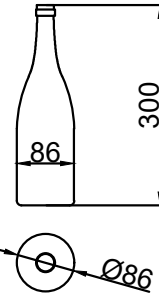


COMPRESSOR WINE REFRIGERATORS

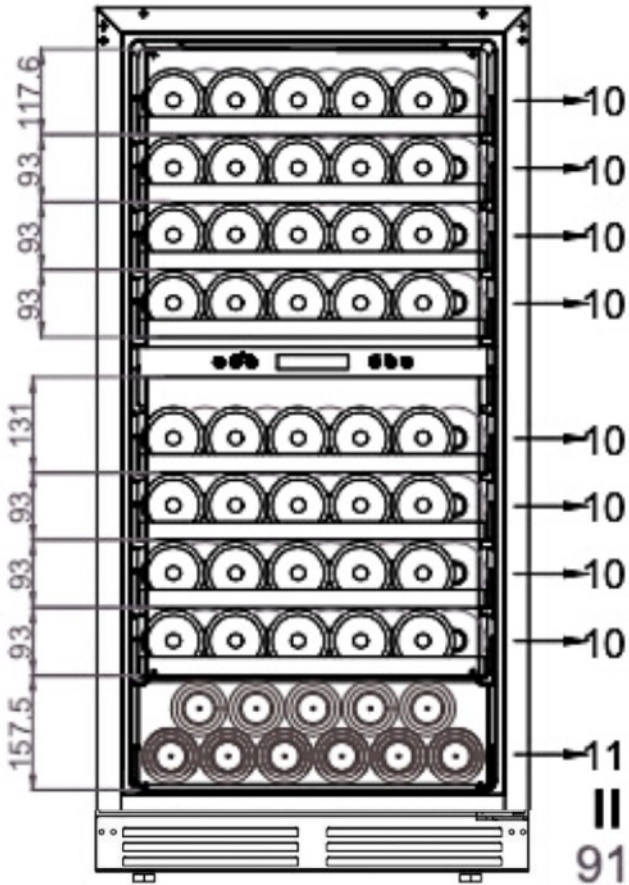
STORAGE

PART IV

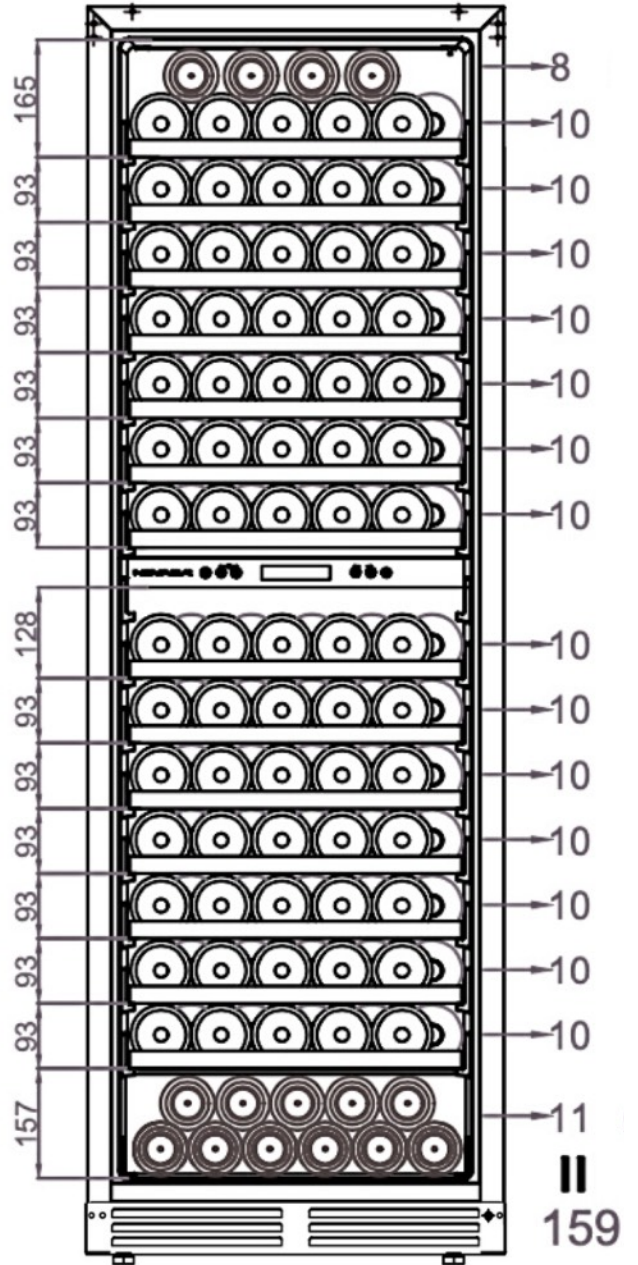
LAYOUT AND STORAGE



KBU145DX



KBU265DX



KBU425DX

STORAGE

PART IV

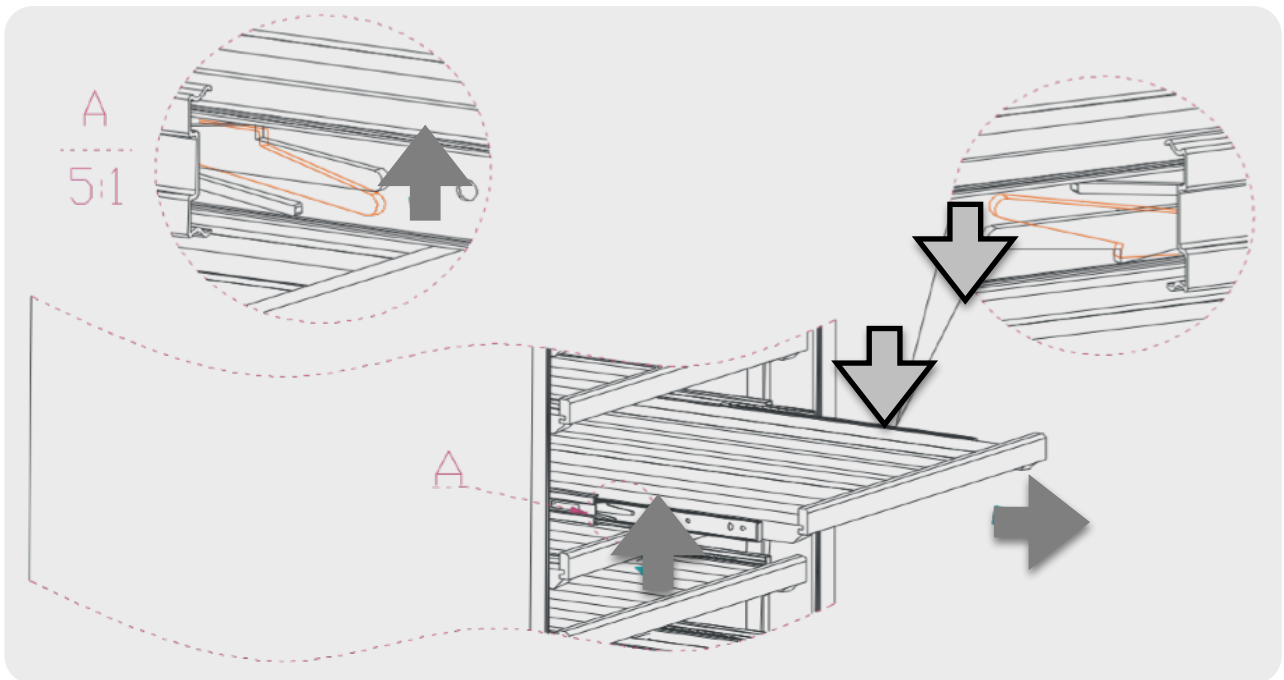
LAYOUT AND STORAGE

YOUR CABINET WAS DESIGNED TO STORE A MAXIMUM NUMBER OF BOTTLES SECURELY. WE RECOMMEND THAT YOU OBSERVE THE TIPS BELOW TO OPTIMIZE LOADING.

1. Disperse your bottles evenly so as not to concentrate the weight in any one area. Also, be careful that your bottles do not touch either the back of the cabinet or the step at the bottom.
2. Also, make sure that bottles are not all grouped together either at the top or bottom of the cabinet.
3. A cooler that is full and has a nice allowance for air movement will work more efficiently.
4. Never try to adjust shelf with bottles still on it.

TO REMOVE A ROLLING SHELF:

1. Remove all bottles
2. Pull the shelf out as far as possible
3. Push the RIGHT side lever downward but the LEFT side lever upward (as illustrated below. A long flat screwdriver may help if necessary.)
4. Remove the shelf

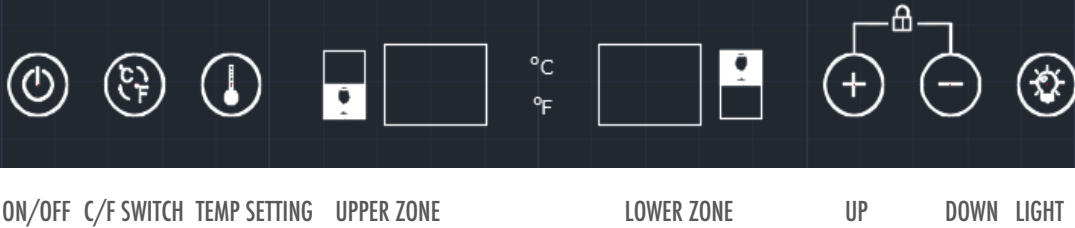


PLEASE NOTE

Before modifying your cabinet's original configuration in any way, be sure to ask your dealer for advice.

COMPRESSOR WINE REFRIGERATORS

PART V OPERATING YOUR REFRIGERATOR



Each wine cooler includes an operating panel on the front of the unit. This operating panel includes several features to operate and control the temperature of both the upper and lower zones of the wine cooler, light color and brightness.

ON/OFF: Press ON/OFF button for 3 seconds to turns the power on or off.

C/F SWITCH: Switch between °C and °F.

TEMP SETTING: Press the TEMP SETTING button before adjusting the temperature. When pressed for the first time, the display flashes (UPPER zone or LOWER zone) and shows the set temperature. Press it again and it will switch to another temperature zone. After 5 seconds, it will display the measured internal temperature.

UPPER ZONE / LOWER ZONE: Displays, via LED, the desired temperature and the actual temperature of the UPPER/LOWER zone.

UP / DOWN: Adjust the temperature preset value.

LIGHT: Turns the interior light on/off, or change the light color between blue and white. When the door is opened, the light will be switched on automatically. To change the light color, touch and hold the lighting button for 3 seconds. Repeat this to cycle through white, blue, and dynamic alternating colors.

KEY LOCK FUNCTION: If there is no any operation with digital control for 3 minutes, it will be locked automatically. Press UP and DOWN in the same time for 3 seconds to unlock.

SETTING THE TEMPERATURE CONTROL

IMPORTANT: IN ORDER FOR THIS UNIT TO FUNCTION AT OPTIMUM LEVEL, THE LOWER COMPARTMENT SHOULD BE SET AT LEAST 5°F (2°C) HIGHER THAN THE UPPER COMPARTMENT.

1. Make sure the power cord is connected to a properly grounded outlet.
2. Press the **ON/OFF** button to turn the power ON.
3. Press the **TEMP SETTING** button to choose the UPPER ZONE or LOWER ZONE. Each zone is independently controlled.
 - Upper Zone: The temperature setting can be adjusted between 36°F to 54°F (2°C to 12°C)
 - Lower Zone: The temperature setting can be adjusted between 54°F to 68°F (12°C to 20°C)
4. Set the temperature of the Upper Zone or Lower Zone as you desire by pushing the **UP** or **DOWN** button. When you push the two buttons for the first time, the LED readout will show the original temperature set at the previous time.
5. Once you have set the desired temperature, wait for 5 seconds. The temperature shown in both Upper and Lower zone display panels will automatically switch to show the actual measured temperature inside the unit. The actual temperature will always be shown until the next time you press the **UP** or **DOWN** button to change the temperature settings.

NOTE: The desired temperatures may fluctuate depending on whether the interior light is ON or OFF, the ambient temperature, the location of the unit and the orientation of the bottles. The display is just a guide, be guided by how cold your drinks are at consumption. Remember units go into defrost mode, and this will show a higher display, it's only for short periods and doesn't have time to affect drink temperature. In general, once the unit has settled, it will keep products within 5°F (2°C) of the set temp easily in temperatures up to and beyond 100°F (38°C).

TEMPERATURE SETTINGS FOR WINE SERVICE

Different varietals of wine require different temperature settings. The recommended temperature ranges for long term preservation of various wines is Red Wines: 52-64°F (11-18°C); White Wines: 44-51°F (7-10°C); Sparkle Wines: 41-43°F (5-6°C).



CAUTION

1. In the event of a power interruption, all previous temperature settings will be automatically saved and each compartment will return to the previous temperature setting.
2. If the unit is unplugged, loses power, or is turned off, there will be a 6 minute delay for the compressor to restart after the unit is powered ON.
3. When you use the wine cooler. for the first time or restart the wine cooler after having been shut off for a long time, there will be a few degrees variance between the temperature you select and the one indicated on the LED readout for the first few hours of operation. After a few hours of operation, the temperature will normalize to the displayed temperature.

TROUBLESHOOTING GUIDE

PART VI TROUBLESHOOTING GUIDE

PROBLEM	POSSIBLE CAUSE	SOLUTION
1. Refrigerator does not operate	<ol style="list-style-type: none"> Not plugged in The appliance is turned OFF at the control panel The power outlet is powered off or the output voltage is too low The circuit breaker has tripped, or a fuse has blown out 	<ol style="list-style-type: none"> Press ON/OFF Check and make sure the power plug is well connected Ask a technician to check whether the power outlet has an accurate voltage output Ask an technician for help
2. Refrigerator is not cold enough; can not cool down to the preset temp.	The compressor does not start	ask a technician for help / check the connection of the compressor
	The ambient temperature is too high (over 100°F 38°C)	Move the refrigerator to a cool and ventilated place
	Place too many bottles at once	Put in the bottles in batches. It is recommended not to exceed 1/3 of full load at a time. After the temperature in the cabinet drops to the set temperature, store the next batch.
	The inlet and outlet of the front grille are blocked.	Remove objects that may block the air inlet and outlet
	The door is not closed tightly, or the door gasket is not properly sealed.	Please refer to the problem #6 "The door will not close properly" and its solutions. Then unplug the power plug for 5 hours, wait for the ice on the evaporator melt, restart the refrigerator.
	The door opening time is too long or too frequent	Reduce the times/frequency of door openings.
	There are other objects besides drink bottles in the cabinet, which affects the air circulation.	This refrigerator is designed for wine storage, if there are other objects, please remove it. The number of bottles placed on each layer cannot exceed the standard configuration.
	If the refrigerator is placed outdoors or in a place with a lot of dust/oil stains, after a period of time, a large amount of dust will accumulate on the condenser fins, which will affect the cooling effect.	Move the refrigerator to a place with less dust, regularly check the dust accumulation status, and clean it with a blower.
	Fans (condenser fan or evaporator fan) stop working or operate at low speed	Ask the technician to check whether there is a standard voltage on the fan terminal when turning on the power. If the voltage is abnormal, please check the switching power supply or the motherboard or circuit failure. If the voltage is normal, the fan may be damaged, please replace with a new fan.
The compressor or its accessories are damaged	Turn off the power and ask the technician to diagnose.	
Refrigerant leak	If the compressor, condenser fan, and evaporator fan are all working properly, but the refrigerator cannot reach the set temperature or does not cool at all, there may be a refrigerant leak issue.	
3. Compressor starts and stops frequently	The door is not closed tightly.	Please refer to the problem #6 "The door will not close properly" and its solutions. Then unplug the power plug for 5 hours, wait for the ice on the evaporator melt, restart the refrigerator.
	The door gasket is not properly sealed.	<ol style="list-style-type: none"> Use low heat on a hairdryer to make the door seal take shape. Replace with a new door gasket.
	The door is opened too often.	Reduce the times/frequency of door openings.
	The ambient temperature is too high (over 100°F 38°C)	Move the refrigerator to a cool and ventilated place
	Improper setting of temperature and the temperature variances	Properly increase the temperature and its variances
	The temperature sensor is not connected correctly.	Read the wiring diagram to make the correct connection of the sensor.
The sensor is faulty.	Replace with a new sensor	
4. The light does not work.	<p>Not plugged in, or the light button is "OFF." Not enough brightness.</p> <p>The light itself is faulty.</p> <p>PCB circuit faulty.</p>	<ol style="list-style-type: none"> Adjust the brightness of the lamp according to the operating instructions. Replace with new bulb; the lamp has its polarity. Find a technician to repair.

TROUBLESHOOTING GUIDE

PART VI TROUBLESHOOTING GUIDE

PROBLEM	POSSIBLE CAUSE	SOLUTION
5. The Refrigerator seems to make too much noise.	No standing hours before connecting the refrigerator to the power source.	Turn off the power and let it stand for hours.
	The stand feet is not leveling; vibrations lead to noise	Adjust the stand feet and ensure they are leveled.
	The floor is not stable enough	Move to a solid and stable floor
	Hot and cold contraction sounds of the inner tank and other plastics	No action required. It will gradually disappear.
	Copper pipe hits other objects and makes noise	Gently adjust the position of the pipe.
	The vibration of internal moving parts caused by inertia when the compressor is stopped or started	It's normal, no action required.
	A liquid plumbing noise may come from the flow of the refrigerators gases	As each cycle ends, you may hear gurgling sounds. It's normal, no action required.
	Vibration of cooling copper pipes or fans hit other objects	Open the back cover of the refrigerator, and properly adjust the copper pipes and wires so that they will not hit or resonate with other objects.
	Compressor or fan itself failure	Find a technician to repair.
6. The door will not close properly.	Door is blocked by the non-standard size bottles	Adjust the position of bottles, or the number of shelves appropriately
	The hinges of the upper and lower doors are loose	Adjust and fix the door hinge
	The door sealing rubber is deformed	1. Use low heat on a hairdryer to make the door seal take shape. 2. Replace with a new door gasket.
	The door body is deformed	Replace with a new door
7. Evaporator ice up	The door is not closed tightly, or the door gasket is not properly sealed.	Please refer to the problem #6 "The door will not close properly" and its solutions. Then unplug the power plug for 5 hours, wait for the ice on the evaporator melt, restart the refrigerator.
	Poor cooling performance. The fridge does not cool or can not reach the preset temperature value.	Please refer to the problem #2 "Refrigerator is not cold enough; can not cool down to the preset temp." and the corresponding solutions. Then unplug the power plug for 5 hours, wait for the ice on the evaporator melt, restart the refrigerator.
	The compressor never stops even if the refrigerator cools and reaches the preset temperature value	The controller (PCB board) or temperature sensor is faulty, please ask a technician to repair.
8. External cabinet seems too hot	The ambient temperature is too high (over 100°F 38°C)	Move the refrigerator to a cool and ventilated place
	The inlet and outlet of the front grille are blocked.	Remove objects that may block the air inlet and outlet
	If the refrigerator is placed outdoors or in a place with a lot of dust/oil stains, after a period of time, a large amount of dust will accumulate on the condenser fins, which will affect the cooling effect.	Move the refrigerator to a place with less dust, regularly check the dust accumulation status, and clean it with a blower.
	The condenser fan stops working or operates at low speed	Ask the technician to check whether there is a standard voltage on the fan terminal when turning on the power. If the voltage is abnormal, please check the switching power supply or the motherboard or circuit failure. If the voltage is normal, the fan may be damaged, please replace with a new fan.
9. Condensation on the glass door	Ambient humidity is high	Use a soft cloth to wipe dry the water
	The door opening is too frequent	Reduce the frequency of door openings.
	The door does not close properly.	Please refer to the problem #6 "The door will not close properly" and its solutions. Then unplug the power plug for 5 hours, wait for the ice on the evaporator melt, restart the refrigerator.
	The heating glass is OFF (heating glass door is only available for specific models)	Turn on the heating glass
	The heating glass function fails (heating glass door is only available for specific models)	Find a technician to repair, or replace with a new door.

TROUBLESHOOTING GUIDE

PART VI TROUBLESHOOTING GUIDE

PROBLEM	POSSIBLE CAUSE	SOLUTION
10. Water leakage (outside of the cabinet)	Condensation dripping from the glass door to the floor	Please refer to the problem #9 "Condensation on the glass door" and its solutions.
	Water overflows in the water pan next to the compressor	Open the back cover of the compressor and make sure that the water pipe is in the water receiving tray.
11. Water leakage inside the cabinet	The outlet of the water tray below the evaporator is blocked	Remove the blockages
	The water pipe connected to the water tray under the evaporator falls off.	Re-connect the water pipe, glue it with glue and tighten it with cable ties
	The water tray cannot catch all the water drops from the evaporator	Reinstall the water tray.
12. High humidity in the cabinet or condensation on the bottle surface	Ambient humidity is high	Move the refrigerator to a cool and ventilated place
	The door opening time is too long or too frequent	Reduce the times/frequency of door openings.
	The door does not close properly.	Please refer to the problem #6 "The door will not close properly" and its solutions.
13. The temperature difference between the bottles inside the cabinet is large	There are other objects besides drink bottles in the cabinet, which affects the air circulation.	This refrigerator is designed for wine storage, if there are other objects, please remove it. The number of bottles placed on each layer cannot exceed the standard configuration.
	The running time is too short, and the system has not reached a stable state.	No action required. After extending the cooling time, the temperature inside the cabinet will be uniform.
	The upper and lower temperatures are not preset properly. (only applicable to dual-zone wine cabinets)	Adjust the temperature setting value; the best setting is that the preset value in the LOWER zone is 9°F (5°C) higher than the UPPER zone.
14. The power consumption is different from the value on the label	Power consumption is related to many factors, such as ambient temperature, ventilation conditions, the number of bottles in the cabinet, preset temperature, and voltage level. The actual situation may differ from the power consumption indicated on the label. This is normal.	No action required.
15. Incomplete display characters	The number on the display is missing one or two strokes	The wiring of the display is poor connected. In most cases, it will not affect the cooling function of the refrigerator.
	The display is not displayed, but the keys have sound	Find a technician to repair.
16. Button failure	The door opening time is too long, resulting in too much condensation on the glass panel	Avoid opening the door for a long time when the machine is turned on, it will return to normal in ten minutes after the door is closed.
	Signals such as cars, hair dryers, induction cookers, and mobile phones accidentally interfere with the wine cabinet	Keep away from the signal source, turn off and unplug the power, then restart the refrigerator.
	Display or control board failure.	Find a technician to repair.
17. There is smell inside the cabinet	The new machine may leave a small amount of environmental cleaner	No action required, it will disappear gradually.
	The smell of wooden shelves	No action required, it will disappear gradually.
18. Error code E1	Upper chamber temperature probe sensor failure	The sensor in the UPPER zone is defective, or the socket/plug on PCB is poor connected. Please check the connection or replace the sensor.
19. Error code E2	Lower chamber temperature probe sensor failure	The sensor in the LOWER zone is defective, or the socket/plug on PCB is poor connected. Please check the connection or replace the sensor.
20. Error code E3	Defrost probe sensor failure	Check whether the circuit between the sensor and the PCB control board is normal. If the circuit is normal, replace the temperature sensor.
19. Error code HH*	High-temperature alarm. There are likely to be the following problems: pipeline refrigerant leakage, capillary blockage, abnormal evaporator fan.	Check for the following problems: pipeline refrigerant leakage, capillary blockage, abnormal evaporator fan. Or, refer to Problem #2 "Refrigerator is not cold enough; won't cool to preset temperature." and its solution.
20. Error code LL*	Low-temperature alarm. There may be the following problems: the evaporator fan is abnormal, and the PCB control board is faulty.	Check that the evaporator fan and PCB control board are working properly. If it is defective, please replace it.

"HH" high temperature alarm: 2 hours after the refrigerator is powered on, it will start to detect over-temperature: if it exceeds 26°C, the digital tube will display HH. After HH on display continues for more than 1 hour, the HH will flash, and the buzzer will sound "Beeping". The compressor can still start and stop normally. If it lasts for more than 20 minutes, the buzzer stops sounding, the compressor is forced to stop, and the "HH" on the display keeps flashing. The state needs to be powered off and on again to recover.

"LL" low temperature alarm: 2 hours after the refrigerator is powered on, it will start to detect. If the temperature is less than 0°C and lasts for more than 15 minutes, it will start to protect: at this time, the digital tube will flash "LL" by default, and the buzzer will emit a "beep" sound, and the compressor stops working at the same time; when the temperature is higher than 2°C, the low temperature protection is cancelled.

PART VII CARE AND MAINTENANCE

CLEANING YOUR REFRIGERATOR

WARNING

BEFORE CLEANING: Turn off the power, unplug the appliance, and remove all items including all the shelves.

- Wash the inside surfaces with warm water and baking soda solution. The solution should be about 2 tablespoons of baking soda with a quart of water.
- Wash the shelves with a mild detergent solution.
- Wring excess water out of the sponge or cloth when cleaning area of the controls, or any electrical parts.
- Wash the outside cabinet with warm water and a mild liquid detergent. Rinse well and wipe dry with a clean, soft cloth.
- After installation, we recommend that owners apply a thin layer of Olive Oil with a clean rag, to all exposed Stainless Steel areas. This should then be polished in and buffed off with another clean rag to a non-oily finish. This process will aid protection against dirt and other corrosive contaminants, by providing a temporary food-safe shield. The Olive Oil layer also makes later polishing and removal of fingerprints easier. This process should be repeated frequently every 3-4 months. ALL stainless steel can rust; it is a myth that stainless steel doesn't rust.

POWER FAILURE

Most power failures are corrected within a few hours and should not affect the temperature of your appliance if you minimize the number of times the door is opened. If the power is going to be off for a longer period of time, you need to take the proper steps to protect your contents.

VACATION TIME

Short vacations: You may leave the wine cooler operating during vacations of less than three weeks.

Long vacations: If the appliance will not be used for several months, remove all items and turn off the appliance. Clean and dry the interior thoroughly. To prevent mold growth, leave the door open slightly, blocking it open if necessary.

MOVING YOUR WINE COOLER

1. Remove all items.
2. Securely tape down all loose items (shelves) inside your appliance.
3. Turn the adjustable leg up to the base to avoid damage.
4. Tape the door shut.
5. Be sure the appliance stays secure in the upright position during transportation. Also, protect the outside of the appliance with a blanket or similar item.

ENERGY SAVING TIPS

- The wine cooler should be located in the coolest area of the room, away from heat-producing appliances, and away from direct sunlight. Ventilation at the rear also helps a lot with energy usage, to create a positive air flow where possible, although with this range they are designed to be fully built in.
- When you are not using cooler during weekdays etc. it is recommended to set the temp at a higher level, so set at 64°F (18°C) during periods of non-usage, this will not only mean less run time, it will also keep drinks at a temp that won't get them spoiled. It saves energy also which these days are a growing concern for most households.
- Keep the cooler stocked; an empty cooler will run longer, believe it or not.



DISPOSAL

Before disposal of the appliance.

1. Disconnect the main plug from the main socket.
2. Cut off the main cable and discard it

Correct disposal of this product

This symbol on the product, or in its packaging, indicates that this product may not be treated as household waste. Instead, it should be taken to the appropriate waste collection point for the recycling of electrical and electronic equipment. By ensuring this product is disposed of correctly, you will help prevent potential negative consequences for the environment and human health, which could otherwise be caused by the inappropriate waste handling of this product. For more detailed information about the recycling of this product, please contact your local council, your household waste disposal service, or the shop where you purchased the product.

PART VIII TECHNICAL DATA

MODEL NO.	KBU145DX	KBU265DX	KBU425DX
VOLUME	5.12 CF (145 Liter)	9.36 CF (265 Liter)	15.00 CF (425 Liter)
TYPE OF COOLING	compressor with air-circulated fan cooling	compressor with air-circulated fan cooling	compressor with air-circulated fan cooling
CLIMATE TYPE	N	N	N
ELECTRICITY PROTECTION GRADE	I	I	I
NOMINAL VOLTAGE/ FREQUENCY	110-115V/60HZ (USA) 220-240V/50HZ (AU)	110-115V/60HZ (USA) 220-240V/50HZ (AU)	110-115V/60HZ (USA) 220-240V/50HZ (AU)
RATED CURRENT	1.2A (USA) 0.5A (AU)	1.7A (USA) 0.8A (AU)	1.7A (USA) 0.9A (AU)
RATED POWER(W)	100W (USA) 65W (AU)	165W (USA) 129W (AU)	165W (USA) 130W (AU)
REFRIGERANT	R600a / 25g	R600a / 45g	R600a / 52g
AMBIENT TEMPERATURE	32 - 100 °F (0 -38°C)	32 - 100 °F (0 -38°C)	32 - 100 °F (0 -38°C)
TEMPERATURE RANGE	Upper Zone: 36-54 °F (2 - 12°C); Lower Zone: 54-68 °F (12 - 20°C)	Upper Zone: 36-54 °F (2 - 12°C); Lower Zone: 54-68 °F (12 - 20°C)	Upper Zone: 36-54 °F (2 - 12°C); Lower Zone: 54-68 °F (12 - 20°C)
NET WEIGHT	115 lbs (52 KGS)	167 lbs (76 KGS)	227 lbs (103 KGS)
GROSS WEIGHT (INC. PALLET)	145 lbs (66 KGS)	194 lbs (88 KGS)	273 lbs (124 KGS)
DIMENSION	23.42"W x 22.75"D x 32.28"H; (595W x 578D x 820H mm) Included stand height 0.59" (15mm)	23.42"W x 27.55"D x 47.24"H (595W x 700D x 1200H mm) Included stand height 0.59" (15mm)	23.42"W x 27.36"D x 70.86"H (595W x695D x 1800H mm) Included stand height 0.59" (15mm)

PART IX WARRANTY INFORMATION

Please speak to your retailer before calling us if you did not purchase your refrigerator directly from KingsBottle.

WHO IS COVERED: This warranty is extended only to the original end-user purchaser or the person receiving the product as a gift, and shall not be extended to any other person or transferee.

LIMITED WARRANTY – If your refrigerator is not operating properly, KingsBottle reserves the right to repair or replace the refrigerator. KingsBottle may request the consumer to contact a local refrigeration company to service the refrigerator. All cost for labor and materials is covered for 2-year from the date of receipt. If KingsBottle deems the unit not repairable, KingsBottle will use the value of your original order toward a replacement (Any replacement unit will follow the warranty terms of the initial purchase). For customer service, please e-mail us via hello@kingsbottle.com.

THE LIMITED WARRANTY DOES NOT COVER: Damage due to such things as an accident, misuse, abuse, mishandling, neglect, unauthorized repair or any other cause beyond the control of the seller whether similar or dissimilar to the foregoing. Purchaser understands and acknowledges that the goods sold here are WINE & BEVERAGE COOLERS, which house beer and other wines. Purchaser assumes all the risk of using these units, including the risk of spoilage, humidity variations, temperature variations, leaks, fires, water damage, mold, mildew, dryness and similar perils that may occur.

SPECIAL NOTE: Warranty is only honored for the unit which is used in the countries where the unit was initially purchased. And, if your product was purchased at any 3rd party retailer and not directly from KingsBottle, we do not offer an extended warranty policy. You MUST contact the retailer of purchase directly. In the event your retailer does not offer an extended warranty plan, we recommend you contact a third party warranty provider. However, regardless of point of purchase, all KingsBottle coolers are backed by a TWO YEAR manufacturer's warranty from date of sale.

COMPRESSOR WINE REFRIGERATORS