

Standard Voltage Classic Area Light

ENERGY EFFICIENT

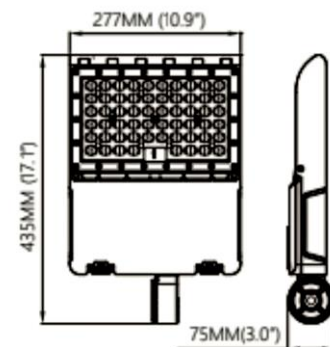
Our area lights are up to 80% more efficient than traditional lighting options.

MOUNTING OPTIONS

Can mount a variety of different ways including on a round pole, square pole, wall, ground, and more. All the screws are SUS316 stainless steel screws with stronger corrosion resistance ability.

SUITABLE APPLICATIONS

Our area lights are perfectly suited for any outdoor application including basketball courts, street lighting, industrial areas, parking lots, sidewalks, and more.



DLC Premium, UL Certified, FCC, CE, SAA, RoHS

- **Rated Power: 100W**
- **IP65 Waterproof**
- **Aluminum Die Casting**
- **DUPONT Powder Painting**
- **Never-fade, anti-cracking**
- **Lifespan: 50,000 – 100,000 hours**
- **5-year warranty**

Contact Us

Email:
sales@cryptolightled.com

Phone:
(800) 293 - 4726

Specifications

Color Temperature	5000K
Input Voltage	100-277V
Dimming	0-10V
Luminous Efficacy	150 lm/W
CRI	70
Power Factor	>.95
THD	<10%
Surge Protection	10KV
LED Chip	SMD 3030
Operation Temperature	-40°C to +50°C