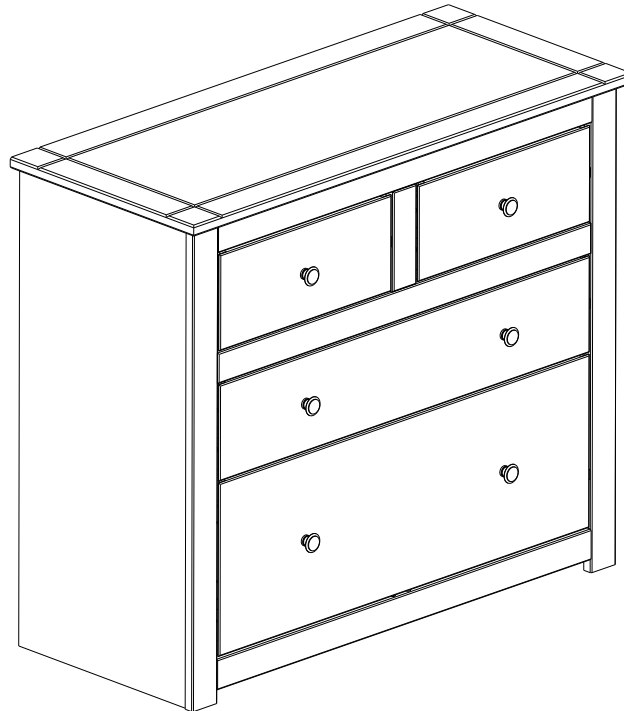


55908

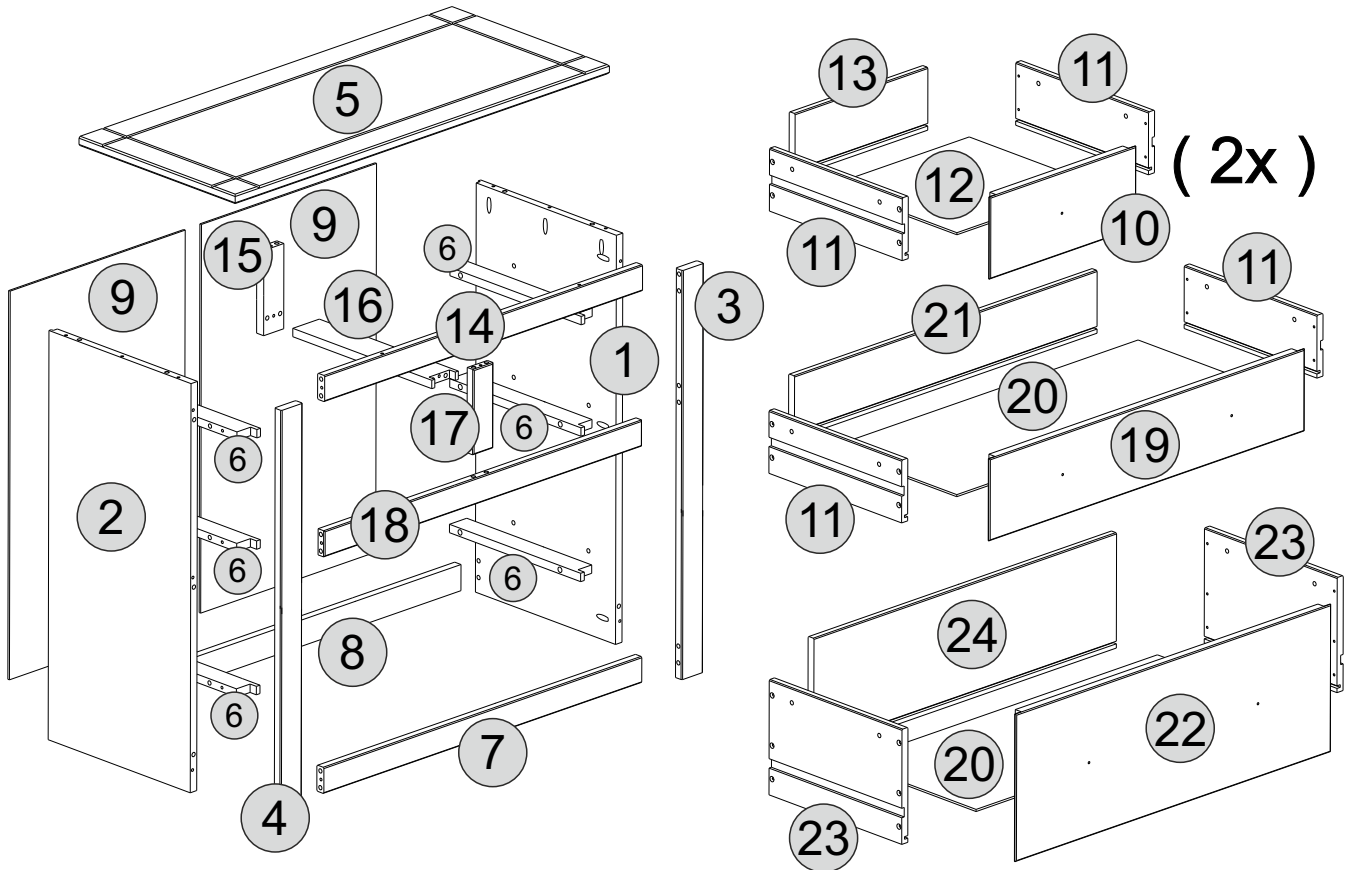
PANAMA 2+2 DRAWER CHEST ASSEMBLY INSTRUCTIONS



IMPORTANT PLEASE READ BEFORE YOU CONTINUE FURTHER **FOR DOMESTIC USE ONLY** **CARE AND MAINTENANCE**

After unpacking this product please keep the original packaging in case it needs to be returned for any reason.

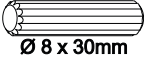

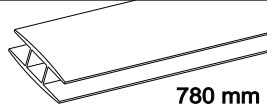


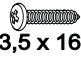
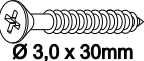
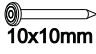
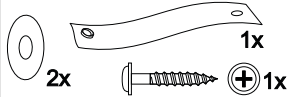
- Please ensure all fittings and parts are present before commencing with assembly.
- We recommend that you lay a blanket or sheet on the floor to avoid damage to both your floor and the product.
- We strongly recommend that you keep children away from your work area.
- Assemble this product as close to its final position as possible.
- Never drag or push products as this could cause damage to the joints making it inferior.
- Do not place this product next to a radiator or in direct sunlight.
- Wood is a natural product and may expand if subjected to damp and may shrink or crack if subjected to heat. Therefore it is recommended that room temperature is maintained, with no sudden temperature fluctuations.
- Make sure any spillage is wiped off immediately.
- Do not place hot or chilled items directly on to the surface, use a place mat or marking will occur.
- For general cleaning use a duster, and do not use detergents of any kind. However, the surface will need to be retreated from time to time. This can be done by using block wax (unperfumed) and rubbing it over the whole item.
- From time to time it may be necessary to tighten fittings, regular inspections should be carried out.



PARTS LIST

Part Number	Part Code	Part Description	Quantity	Carton
1	S100-102-042-PJ1-01	Right Side Panel	1	1/1
2	S100-102-042-PJ1-02	Left Side Panel	1	1/1
3	S100-102-042-PJ1-03	Right Front Upright	1	1/1
4	S100-102-042-PJ1-04	Left Front Upright	1	1/1
5	S100-102-042-PJ1-05	Top Panel	1	1/1
6	S100-102-042-PJ1-06	Drawer Runner	6	1/1
7	S100-102-042-PJ1-07	Bottom Front Crossbeam	1	1/1
8	S100-102-042-PJ1-08	Back Crossbeam	1	1/1
9	S100-102-042-PJ1-09	Back Panel	2	1/1
10	S100-102-042-PJ1-10	Small Drawer Front	2	1/1
11	S100-102-042-PJ1-11	Small/Middle Drawer Side	6	1/1
12	S100-102-042-PJ1-12	Small Drawer Bottom	2	1/1
13	S100-102-042-PJ1-13	Small Drawer Back	2	1/1
14	S100-102-042-PJ1-14	Top Front Crossbeam	1	1/1
15	S100-102-042-PJ1-15	Drawer Runner Upright	1	1/1
16	S100-102-042-PJ1-16	Centre Drawer Runner	1	1/1
17	S100-102-042-PJ1-17	Centre Front Upright	1	1/1
18	S100-102-042-PJ1-18	Centre Front Crossbeam	1	1/1
19	S100-102-042-PJ1-19	Middle Drawer Front	1	1/1
20	S100-102-042-PJ1-20	Drawer Bottom	2	1/1
21	S100-102-042-PJ1-21	Middle Drawer Back	1	1/1
22	S100-102-042-PJ1-22	Large Drawer Front	1	1/1
23	S100-102-042-PJ1-23	Large Drawer Side	2	1/1
24	S100-102-042-PJ1-24	Large Drawer Back	1	1/1

FITTINGS

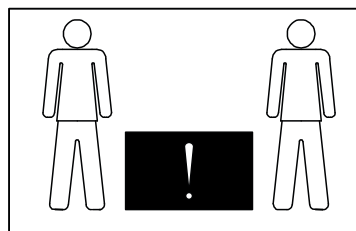
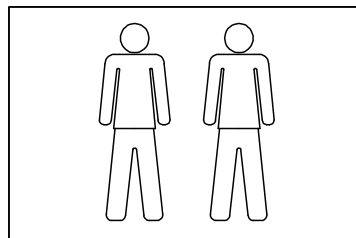
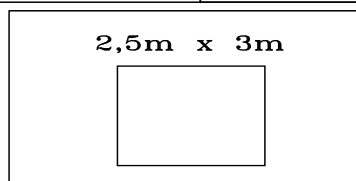
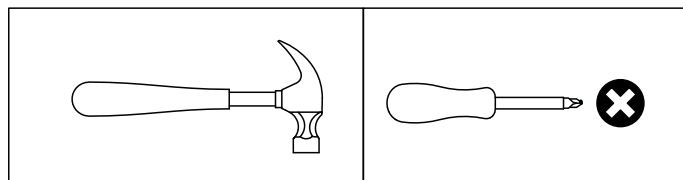
A	 Ø 8 x 30mm	56	D		06	G	 780 mm	01
B	 Ø 3,5 x 30mm	39	E	 M4 x 25mm	06	H	 Ø 3,5 x 16mm	06
C	 Ø 3,0 x 30mm	36	F	 10x10mm	18	I	 2x 1x 1x	01



* Use of power tools to assemble this product will invalidate any claim and damage this product making it unsafe !!!
* Please assemble on a clean soft surface to avoid damage.

* Please check contents and read the instructions before commencing assembly.
* Assemble this product following the enclosed instructions carefully.
* Please take care to avoid damaging panels during assembly.

TOOLS REQUIRED



STEP 1

PARTS REQUIRED

1 - RIGHT SIDE PANEL x1


2 - LEFT SIDE PANEL x1

6 - DRAWER RUNNER x6

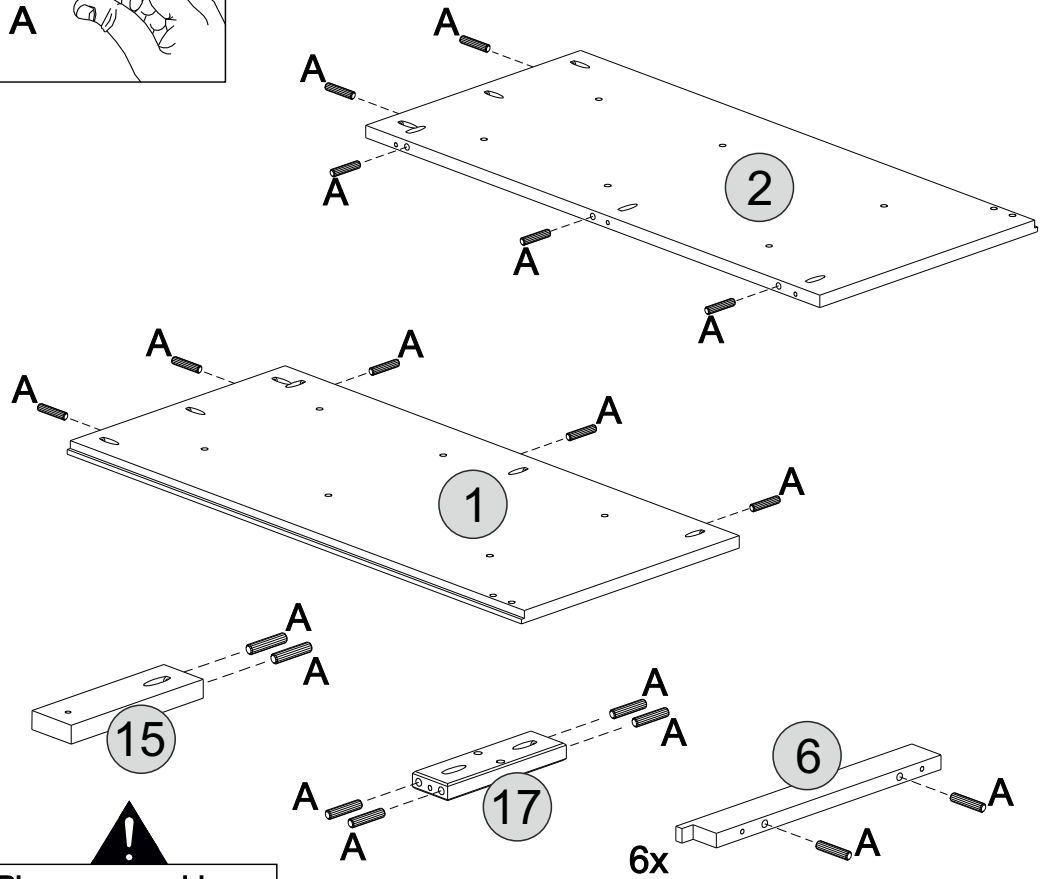
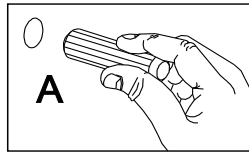
15 - DRAWER RUNNER UPRIGHT x1

17 - CENTRE FRONT UPRIGHT x1

HARDWARE REQUIRED

A  28
Ø 8 x 30mm

TOOLS REQUIRED



 Please assemble on a clean soft surface to avoid damage.

STEP 2

PARTS REQUIRED

7 - BOTTOM FRONT CROSSBEAM x1


8 - BACK CROSSBEAM x1

14 - TOP FRONT CROSSBEAM x1

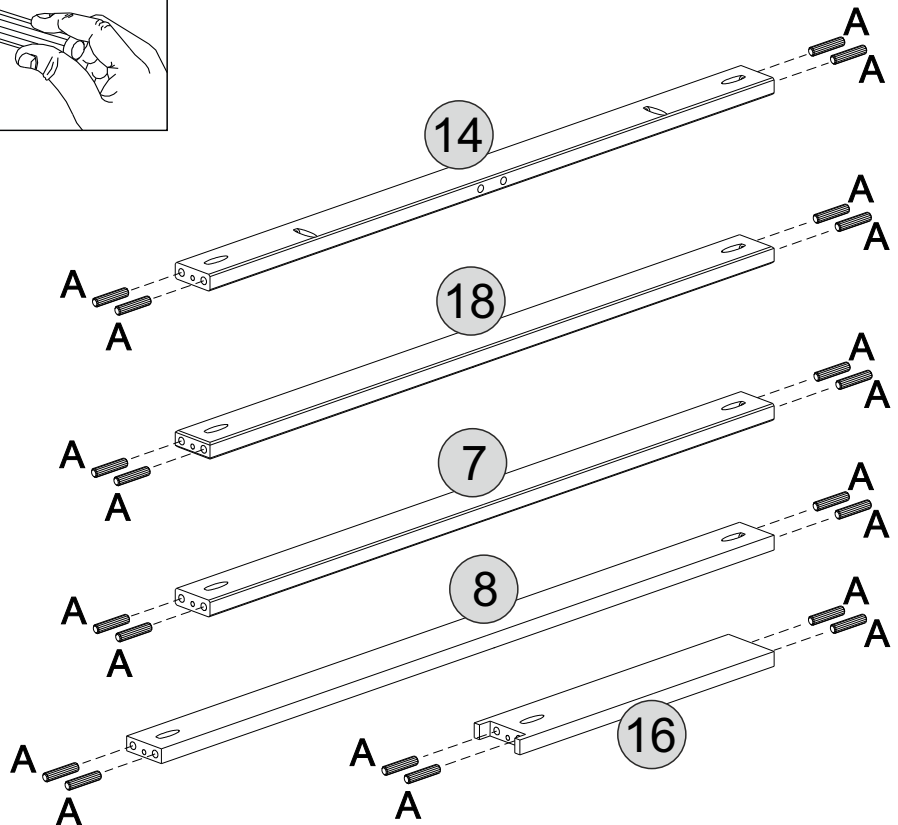
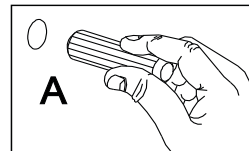
16 - CENTRE DRAWER RUNNER x1

18 - CENTRE FRONT CROSSBEAM x1

HARDWARE REQUIRED

A  20
Ø 8 x 30mm

TOOLS REQUIRED



 Please assemble on a clean soft surface to avoid damage.

STEP 3

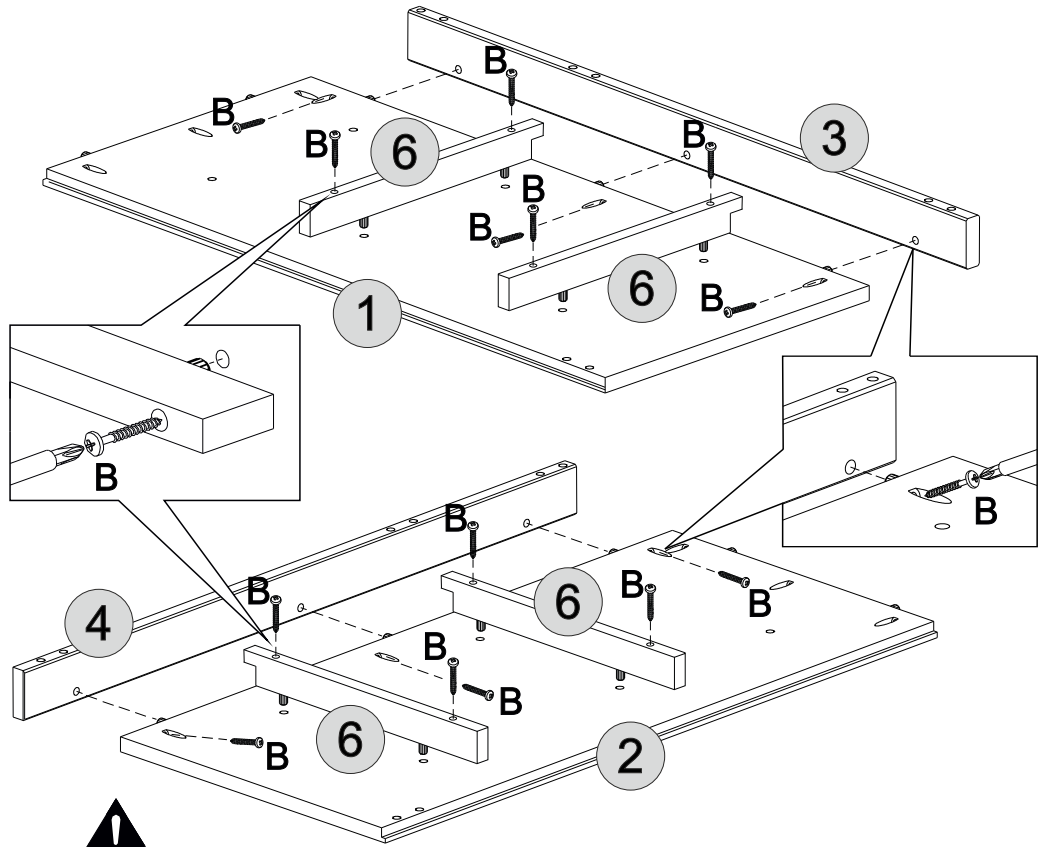
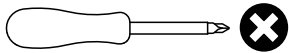
PARTS REQUIRED

- 1 - RIGHT SIDE PANEL x1
- 2 - LEFT SIDE PANEL x1
- 3 - RIGHT FRONT UPRIGHT x1
- 4 - LEFT FRONT UPRIGHT x1
- 6 - DRAWER RUNNER x4

HARDWARE REQUIRED

- B  14

TOOLS REQUIRED




 Please assemble on a clean soft surface to avoid damage.

STEP 4

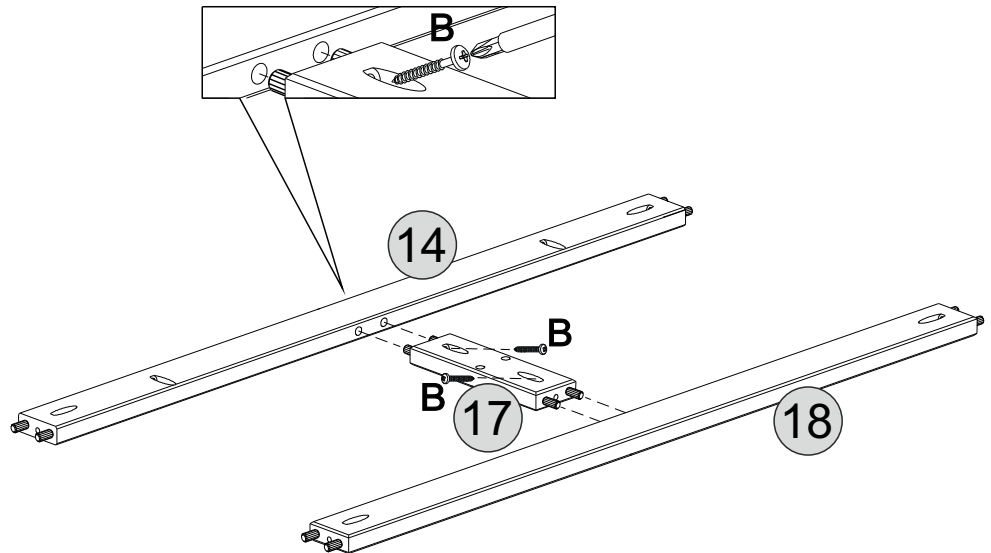
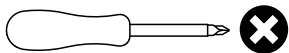
PARTS REQUIRED

- 14 - TOP FRONT CROSSBEAM x1
- 17 - CENTRE FRONT UPRIGHT x1
- 18 - CENTRE FRONT CROSSBEAM x1

HARDWARE REQUIRED

- B  02

TOOLS REQUIRED

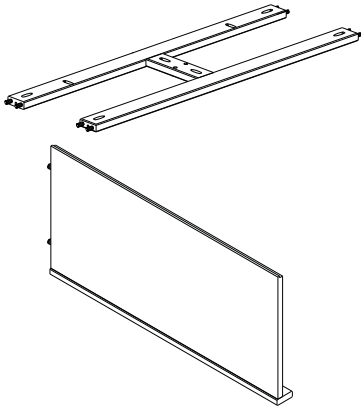


 Please assemble on a clean soft surface to avoid damage.

STEP 5

PARTS REQUIRED

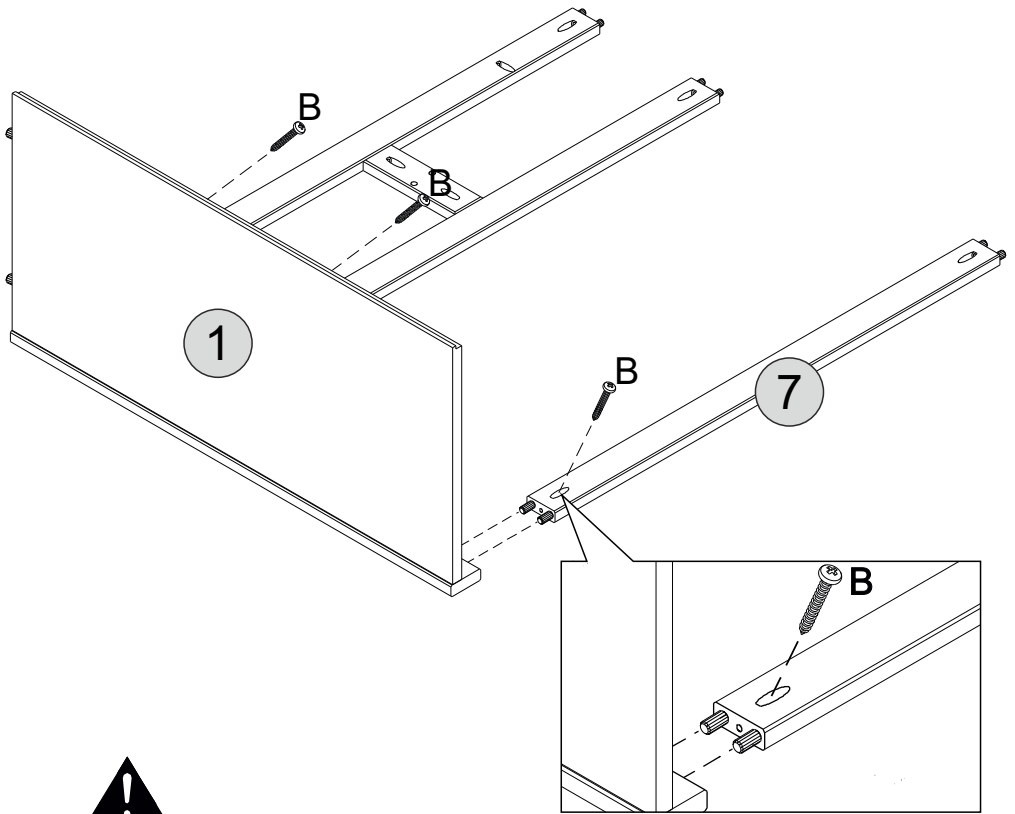
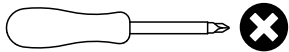
7 - BOTTOM FRONT CROSSBEAM x1



HARDWARE REQUIRED

B  03
Ø 3,5 x 30mm

TOOLS REQUIRED

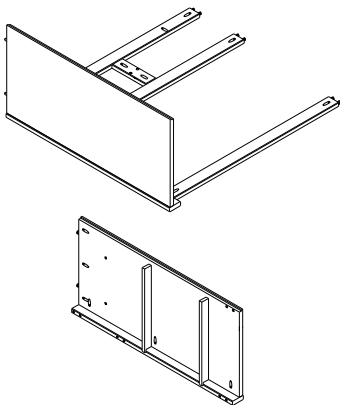


 Please assemble on a clean soft surface to avoid damage.

STEP 6

PARTS REQUIRED

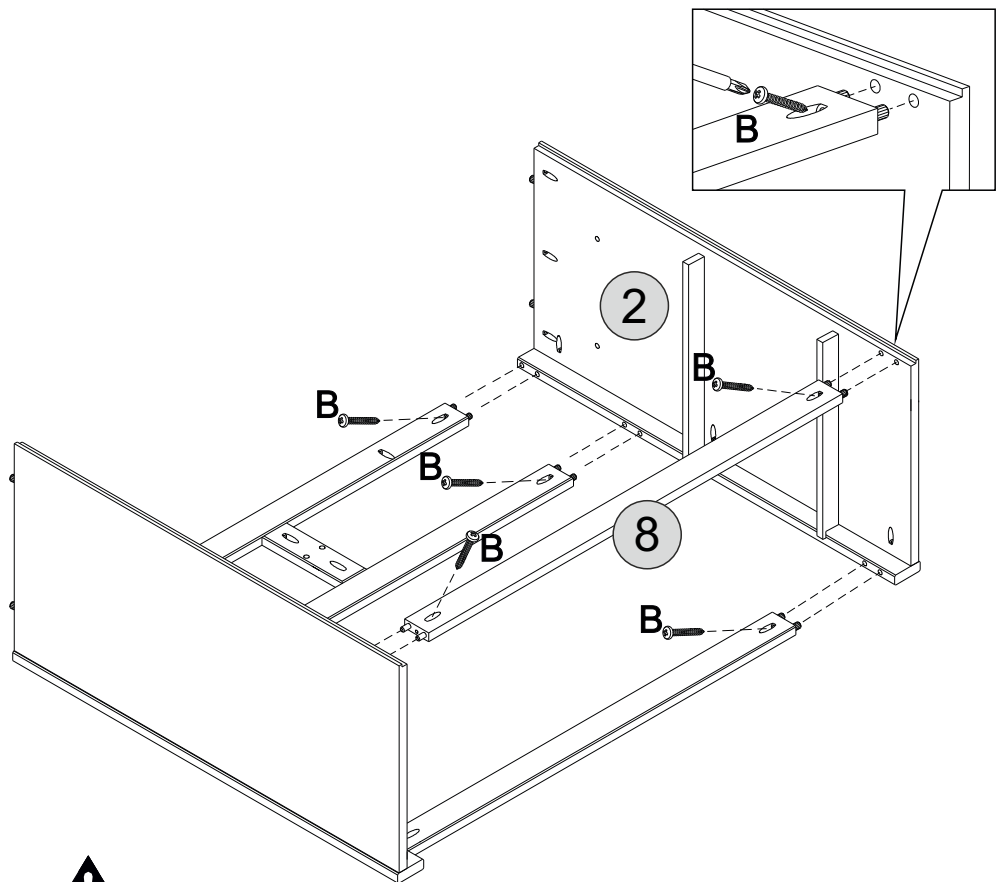
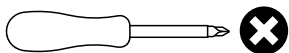
8 - BACK CROSSBEAM x1



HARDWARE REQUIRED

B  05
Ø 3,5 x 30mm

TOOLS REQUIRED

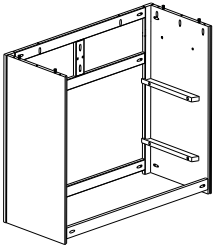


 Please assemble on a clean soft surface to avoid damage.


STEP 7

PARTS REQUIRED

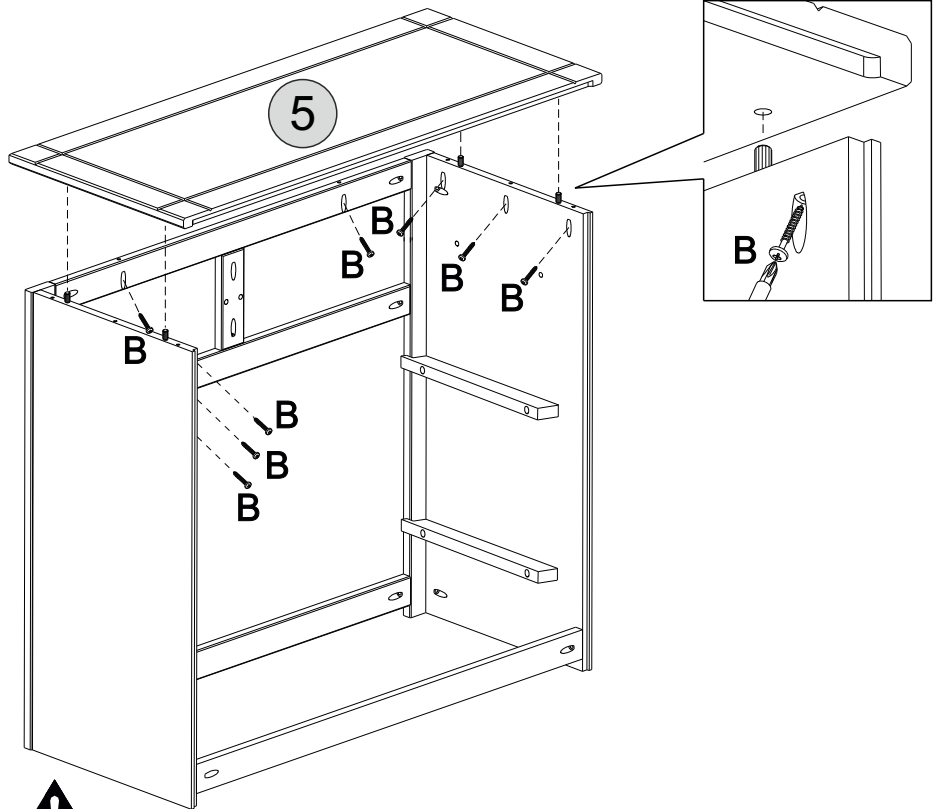
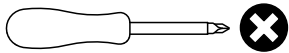
5 - TOP PANEL x1



HARDWARE REQUIRED

B  08
Ø 3,5 x 30mm

TOOLS REQUIRED

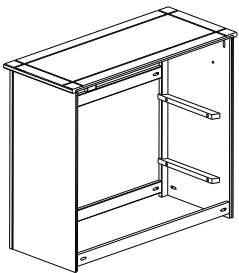


!
Please assemble on a clean soft surface to avoid damage.

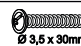
STEP 8

PARTS REQUIRED

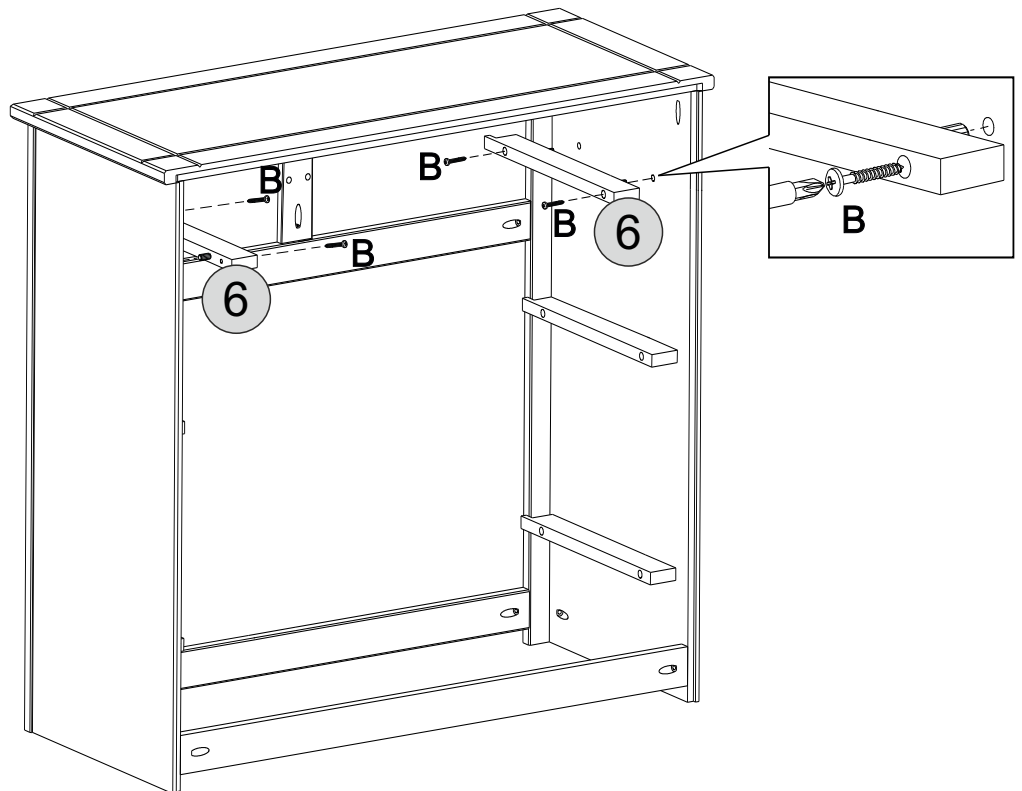
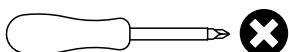
6 - DRAWER RUNNER x2



HARDWARE REQUIRED

B  04
Ø 3,5 x 30mm

TOOLS REQUIRED



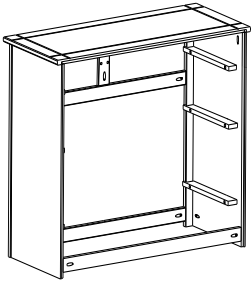
!
Please assemble on a clean soft surface to avoid damage.

STEP 9

PARTS REQUIRED

15 -DRAWER RUNNER UPRIGHT x1

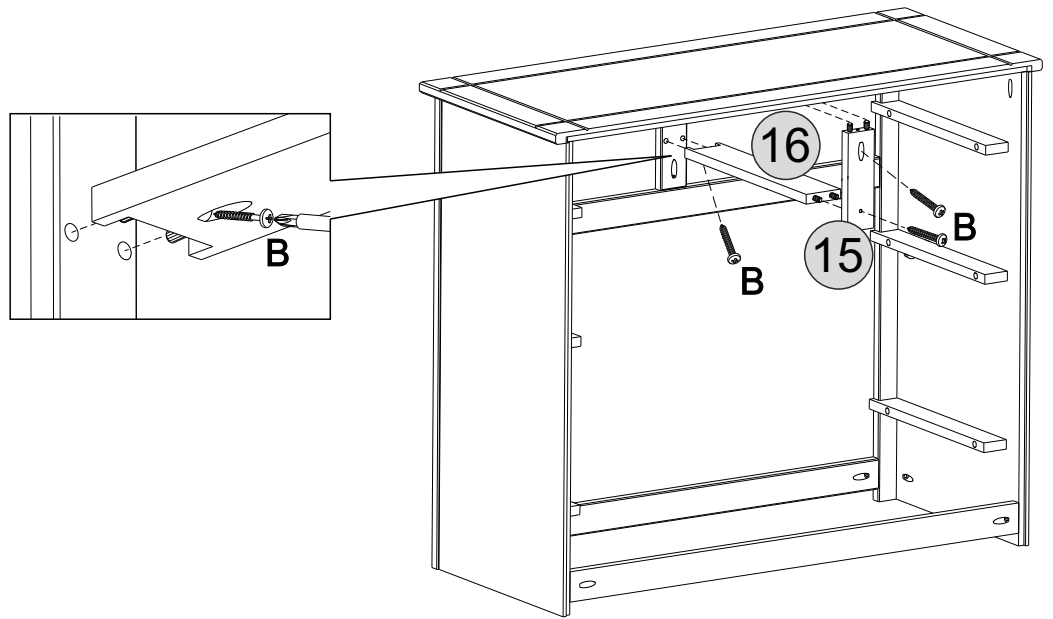
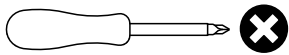
16 -CENTRE DRAWER RUNNER x1



HARDWARE REQUIRED

B  03
Ø 3,5 x 30mm

TOOLS REQUIRED

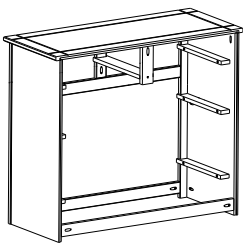


Please assemble on a clean soft surface to avoid damage.


STEP 10

PARTS REQUIRED

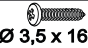
9 - BACK PANEL x2



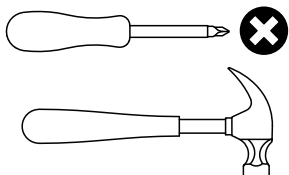
HARDWARE REQUIRED

F  18
10x10mm

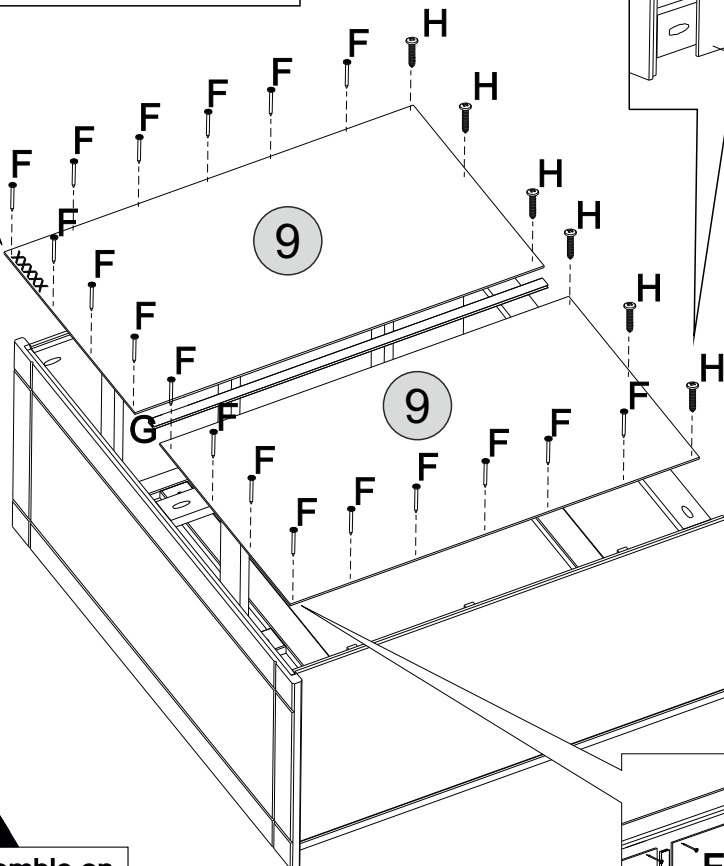
G  01

H  06
Ø 3,5 x 16mm

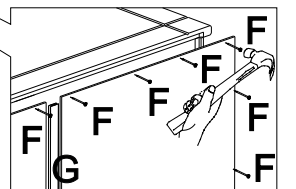
TOOLS REQUIRED



For your future reference order number should be here



Please assemble on a clean soft surface to avoid damage.



STEP 11

PARTS REQUIRED

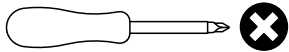
10 - SMALL DRAWER FRONT x2

11 - SMALL/MIDDLE DRAWER SIDE x4

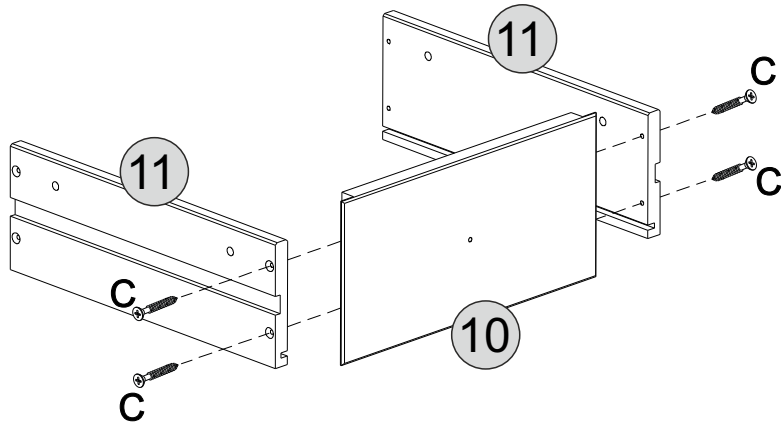
HARDWARE REQUIRED

C  08
Ø 3,0 x 30mm

TOOLS REQUIRED



2x



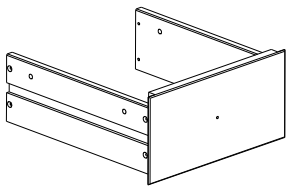
Please assemble on a clean soft surface to avoid damage.

STEP 12

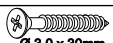
PARTS REQUIRED

12 - SMALL DRAWER BOTTOM x2

13 - SMALL DRAWER BACK x2



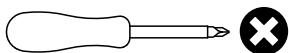
HARDWARE REQUIRED

C  08
Ø 3,0 x 30mm

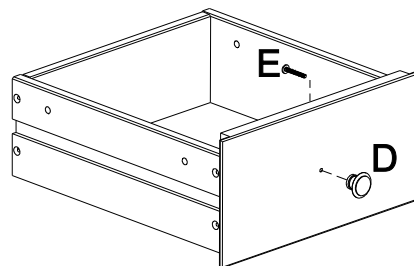
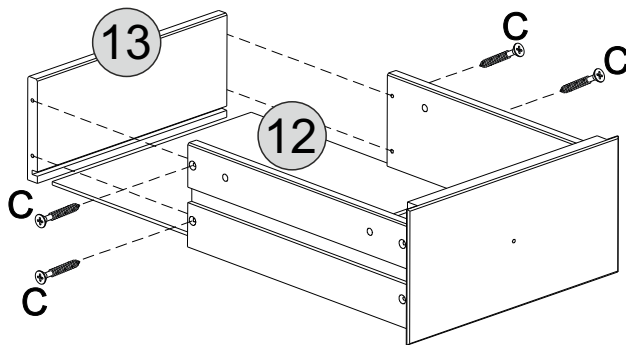
D  02

E  02
M4 x 25mm

TOOLS REQUIRED



2x



Please assemble on a clean soft surface to avoid damage.

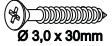
STEP 13

PARTS REQUIRED

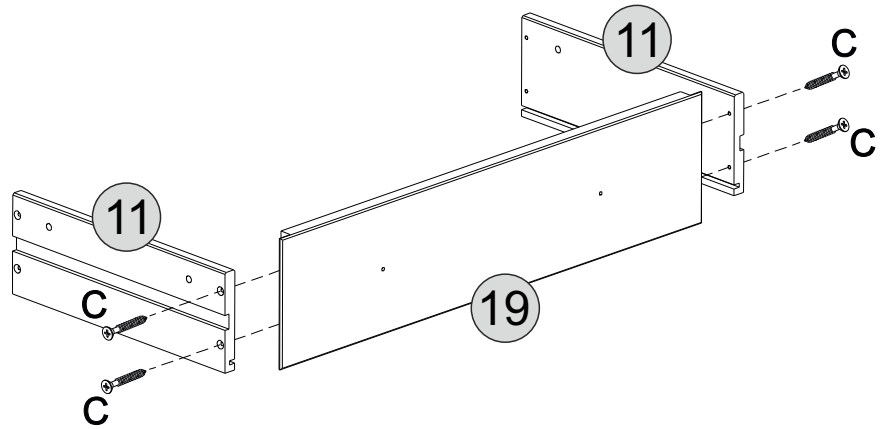
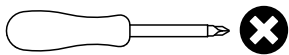
11 - SMALL/MIDDLE DRAWER SIDE x2

19 - MIDDLE DRAWER FRONT x1

HARDWARE REQUIRED

C  04
Ø 3,0 x 30mm

TOOLS REQUIRED



Please assemble on a clean soft surface to avoid damage.

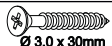
STEP 14

PARTS REQUIRED

20 - DRAWER BOTTOM x1

21 - MIDDLE DRAWER BACK x1

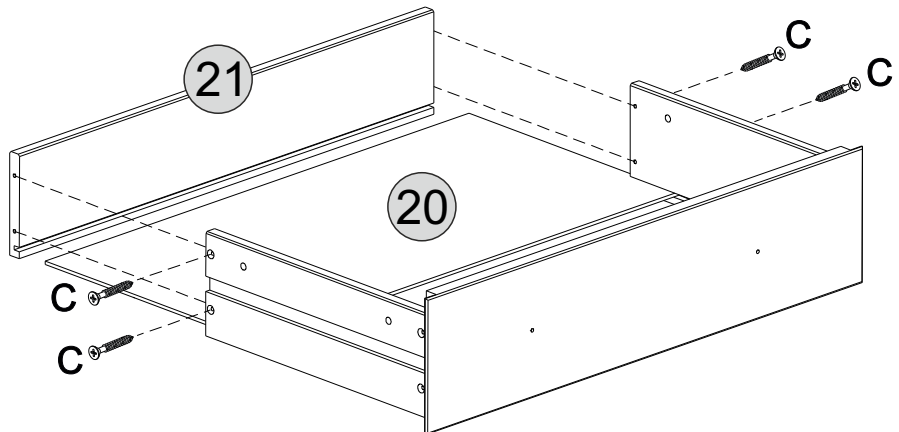
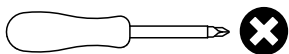
HARDWARE REQUIRED

C  04
Ø 3,0 x 30mm

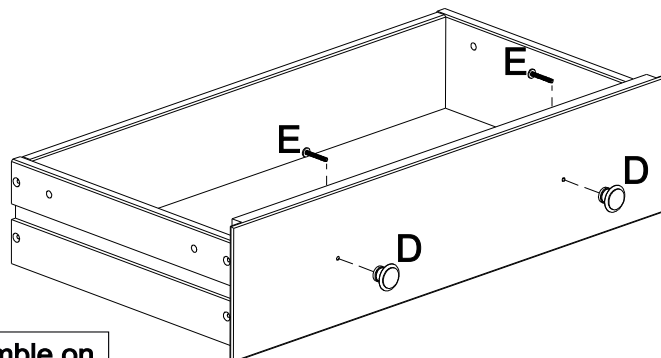
D  02

E  02
M4 x 25mm

TOOLS REQUIRED



Please assemble on a clean soft surface to avoid damage.



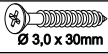
STEP 15

PARTS REQUIRED

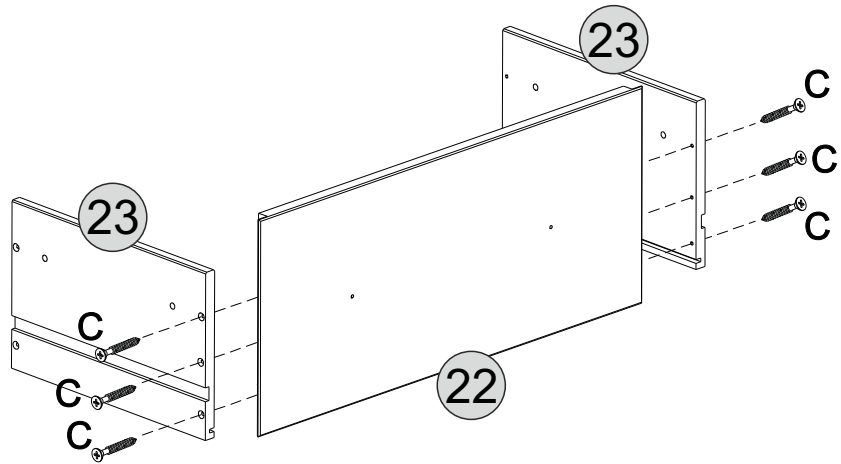
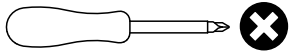
22 -LARGE DRAWER FRONT x1

23 -LARGE DRAWER SIDE x1

HARDWARE REQUIRED

C  06
Ø 3,0 x 30mm

TOOLS REQUIRED



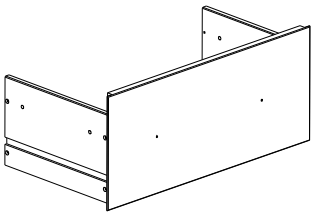
Please assemble on a clean soft surface to avoid damage.

STEP 16

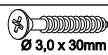
PARTS REQUIRED

20 -DRAWER BOTTOM x1

24 -LARGE DRAWER BACK x1



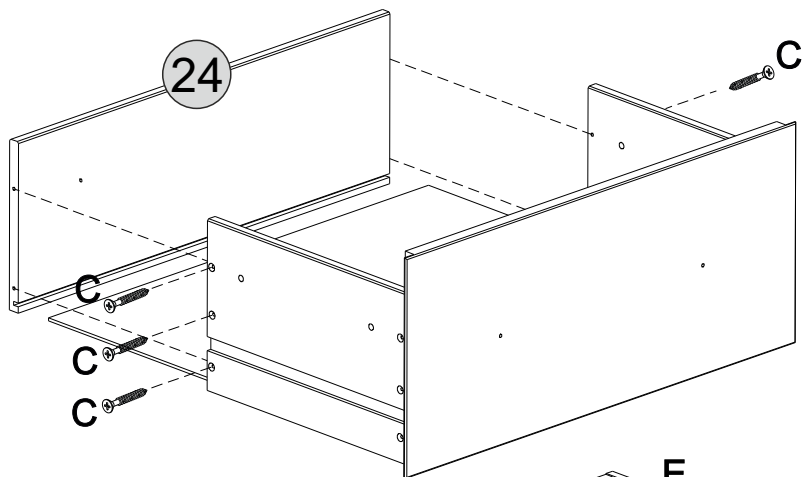
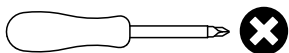
HARDWARE REQUIRED

C  06
Ø 3,0 x 30mm

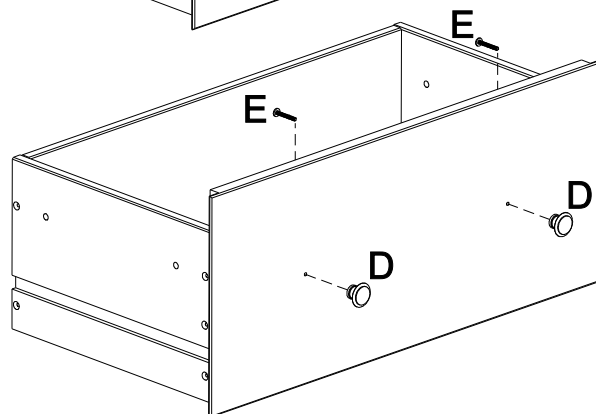
D  02

E  02
M4 x 25mm

TOOLS REQUIRED

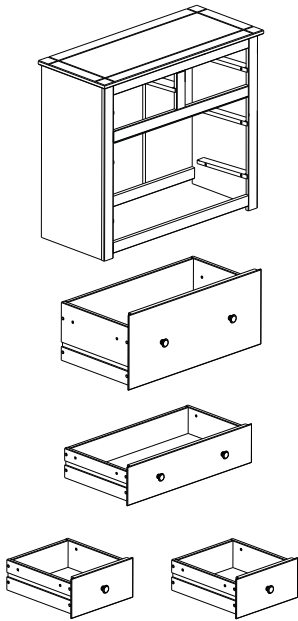


Please assemble on a clean soft surface to avoid damage.

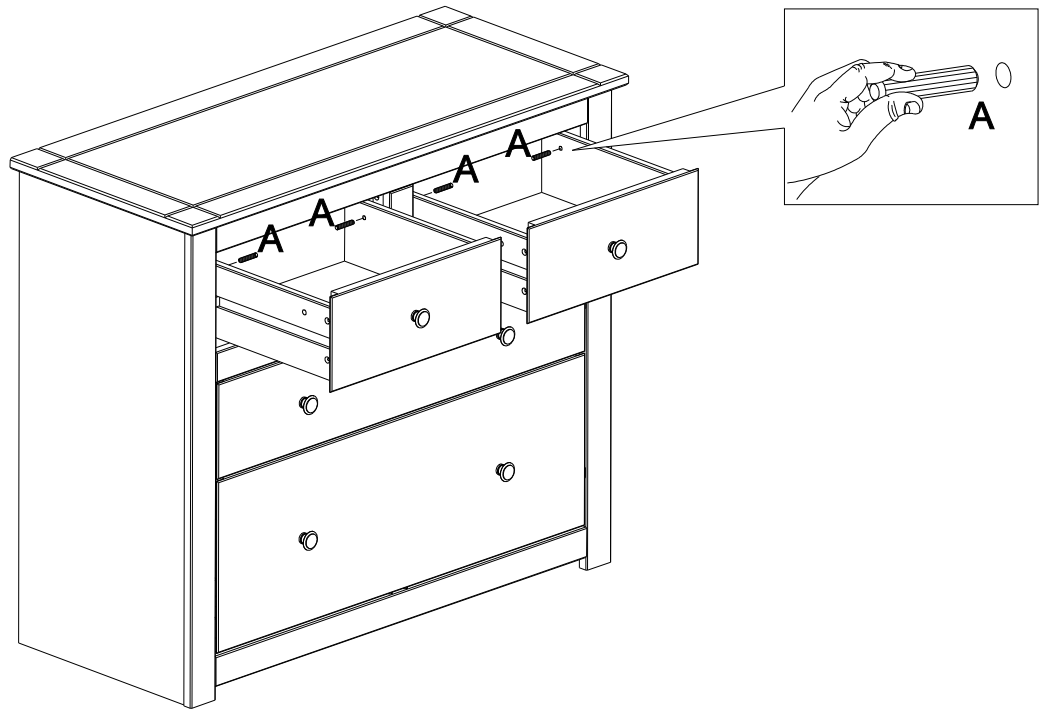
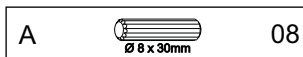


STEP 17

PARTS REQUIRED

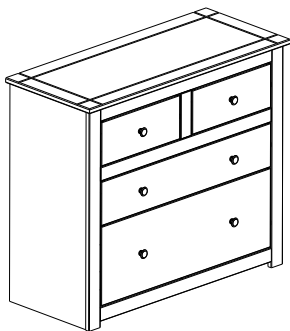


HARDWARE REQUIRED

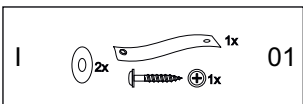


STEP 18

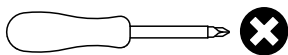
PARTS REQUIRED



HARDWARE REQUIRED



TOOLS REQUIRED



WARNING

Serious or fatal injuries can occur from furniture tipping over. To prevent the furniture from tipping over we recommend that it is permanently fixed to the wall.

Wall fixings are not supplied with this product as different wall materials require different types of fixing devices. Please make sure you use fixings suitable for the walls in your home.

