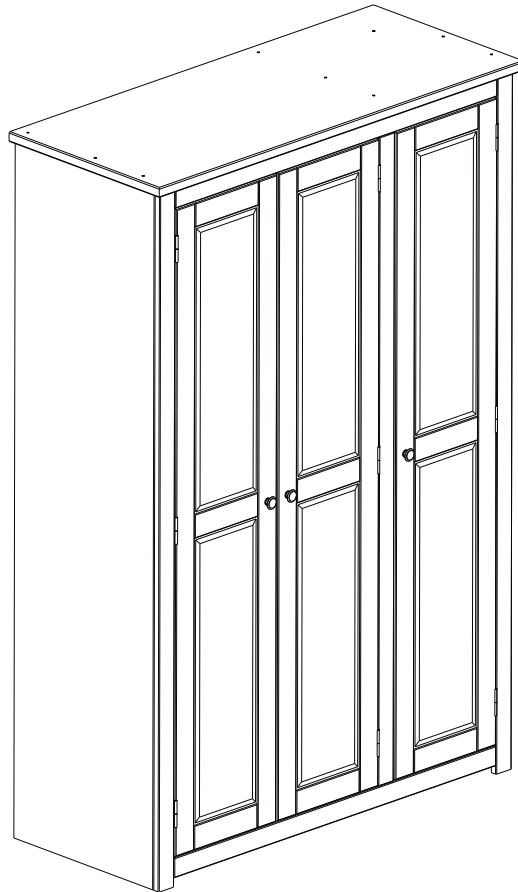


55652

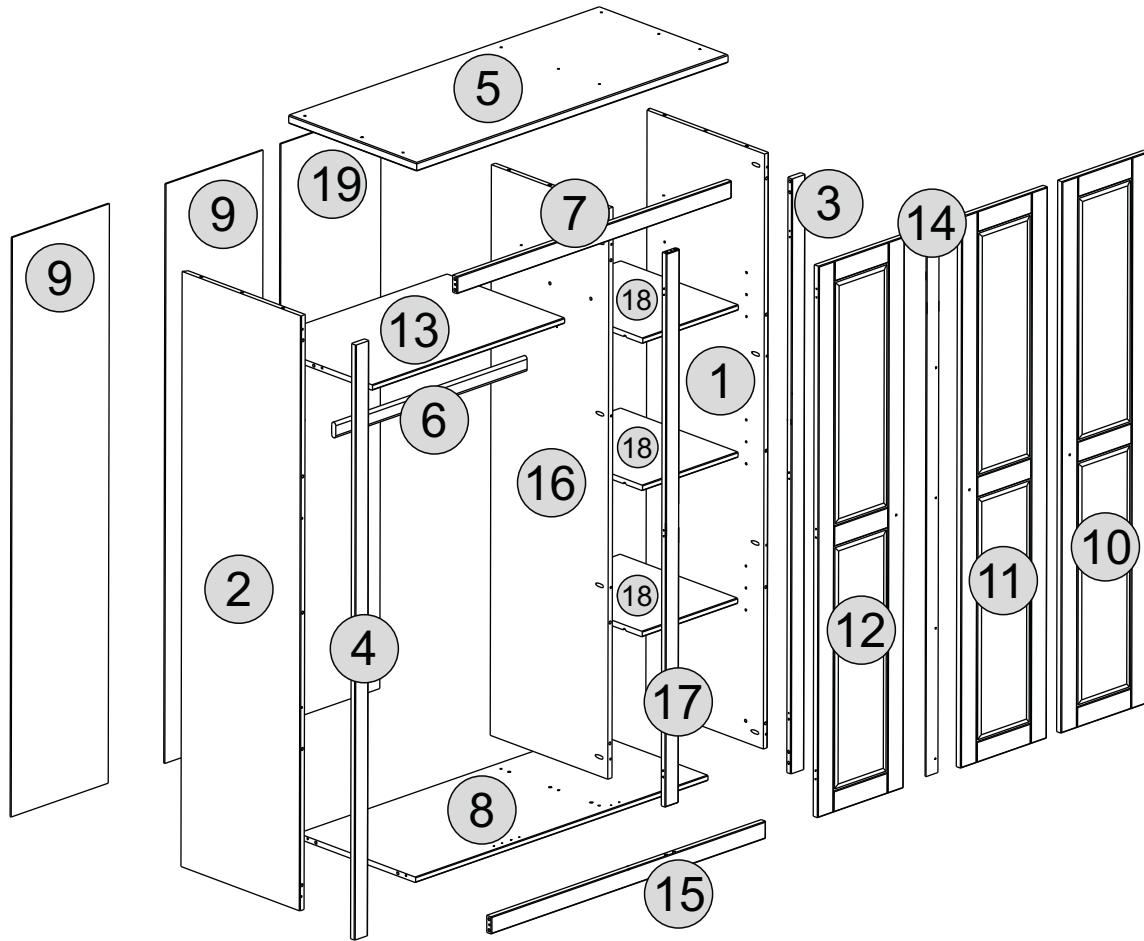
PANAMA 3 DOOR WARDROBE ASSEMBLY INSTRUCTIONS



IMPORTANT PLEASE READ BEFORE YOU CONTINUE FURTHER FOR DOMESTIC USE ONLY **CARE AND MAINTENANCE**

After unpacking this product please keep the original packaging in case it needs to be returned for any reason.

- Please ensure all fittings and parts are present before commencing with assembly.
- We recommend that you lay a blanket or sheet on the floor to avoid damage to both your floor and the product.
- We strongly recommend that you keep children away from your work area.
- Assemble this product as close to its final position as possible.
- Never drag or push products as this could cause damage to the joints making it inferior.
- Do not place this product next to a radiator or in direct sunlight.
- Wood is a natural product and may expand if subjected to damp and may shrink or crack if subjected to heat. Therefore it is recommended that room temperature is maintained, with no sudden temperature fluctuations.
- Make sure any spillage is wiped off immediately.
- Do not place hot or chilled items directly on to the surface, use a place mat or marking will occur.
- For general cleaning use a duster, and do not use detergents of any kind. However, the surface will need to be retreated from time to time. This can be done by using block wax (unperfumed) and rubbing it over the whole item.
- From time to time it may be necessary to tighten fittings, regular inspections should be carried out.

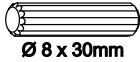

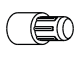




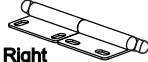



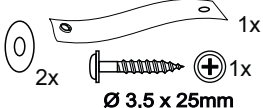





!
 *Use of power tools to assemble this product will invalidate any claim and could damage this product making it unsafe!!!
 *Please assemble on a clean soft surface to avoid damage.

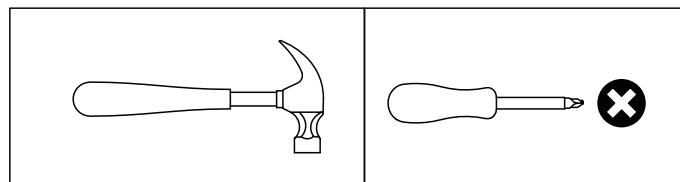
!
 *Please check contents and read the instructions before commencing assembly.
 *Assemble this product following the enclosed instructions carefully.
 *Please take care to avoid damaging parts during assembly.

Part Number	Part Code	Part Description	Quantity	Carton
1	S100-101-040-PJ1-01	Right Side Panel	1	1/2
2	S100-101-040-PJ1-02	Left Side Panel	1	1/2
3	S100-101-040-PJ1-03	Right Front Upright	1	1/2
4	S100-101-040-PJ1-04	Left Front Upright	1	1/2
5	S100-101-040-PJ1-05	Top Panel	1	2/2
6	S100-101-040-PJ1-06	Hanging Rail	1	2/2
7	S100-101-040-PJ1-07	Front Crossbeam	1	2/2
8	S100-101-040-PJ1-08	Base	1	2/2
9	S100-101-040-PJ1-09	Back Panel	2	1/2
10	S100-101-040-PJ1-10	Right Door	1	1/2
11	S100-101-040-PJ1-11	Centre Door	1	1/2
12	S100-101-040-PJ1-12	Left Door	1	1/2
13	S100-101-040-PJ1-13	Fixed Shelf	1	2/2
14	S100-101-040-PJ1-14	Door Strip	1	1/2
15	S100-101-040-PJ1-15	Front Crossbeam	1	2/2
16	S100-101-040-PJ1-16	Centre Panel	1	1/2
17	S100-101-040-PJ1-17	Centre Front Upright	1	1/2
18	S100-101-040-PJ1-18	Adjustable Shelf	3	2/2
19	S100-101-040-PJ1-19	Large Back Panel	1	1/2

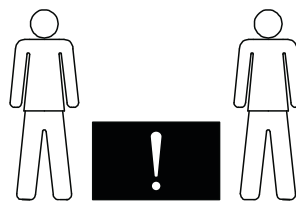
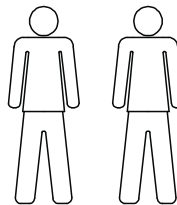
FITTINGS

A	 Ø 8 x 30mm	48	F		03	K	 P8 (Brown)	12
B	 Ø 4,0 x 40mm	12	G	 M4 x 25mm	03	L		01
C	 Ø 3,5 x 30mm	32	H	 Right	06	M		02
D	 Ø 3,0 x 14mm (Black)	73	I	 Left	03	N	 2x 1x Ø 3,5 x 25mm	01
E		06	J	 10x10mm	70	O	 1695 mm	01

TOOLS REQUIRED



2,5m x 3m



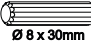
STEP 1

PARTS REQUIRED

1 - RIGHT SIDE PANEL x1

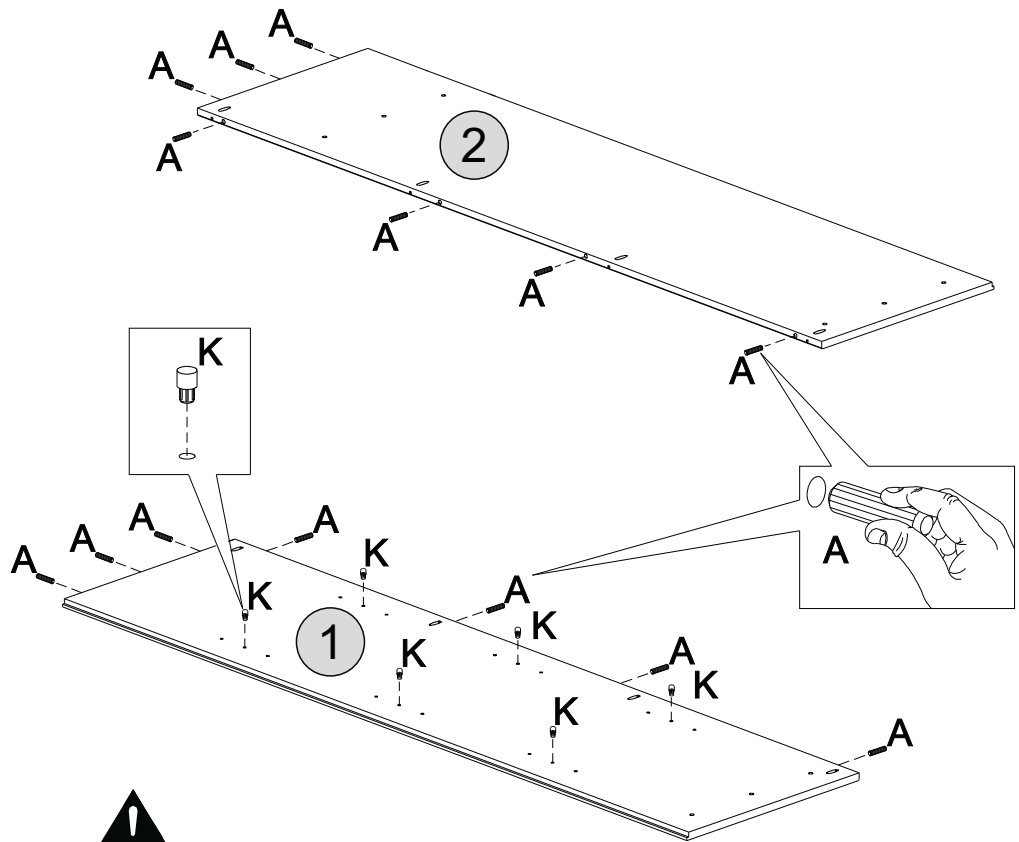
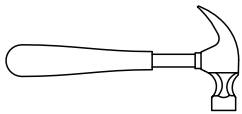
2 - LEFT SIDE PANEL x1

HARDWARE REQUIRED

A  14
Ø 8 x 30mm

K  06

TOOLS REQUIRED



!
Please assemble on a clean soft surface to avoid damage.

STEP 2

PARTS REQUIRED

2 - LEFT SIDE PANEL x1

16 - CENTRE PANEL x1

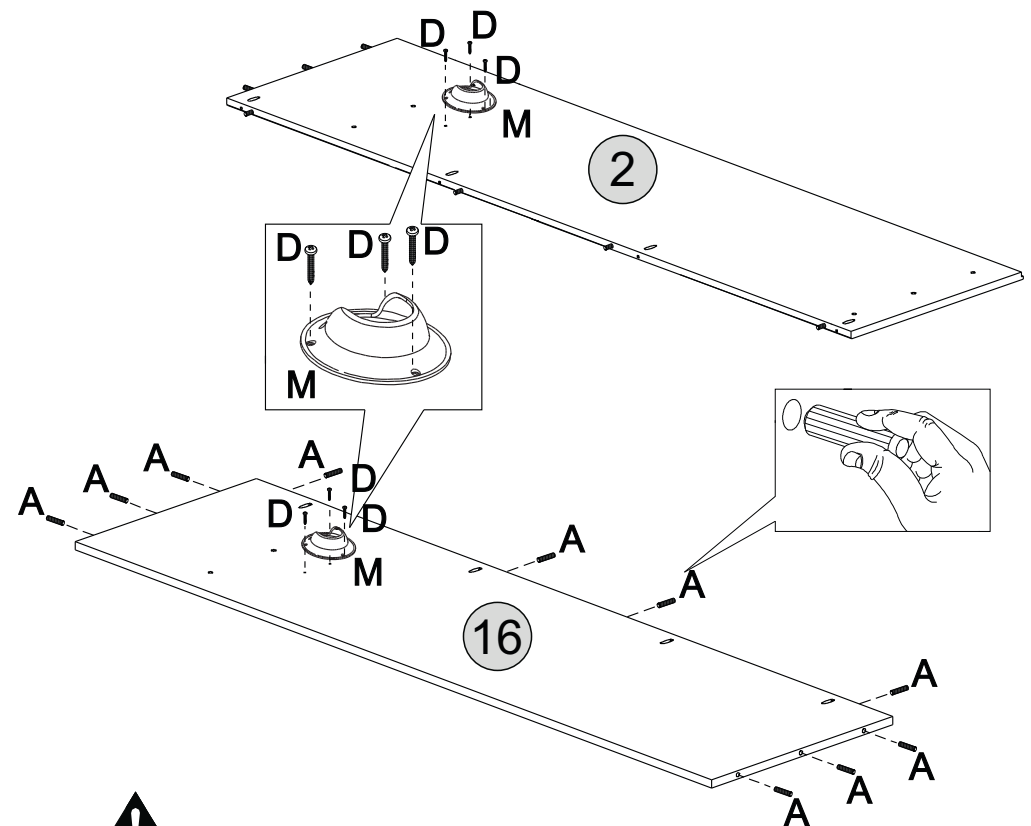
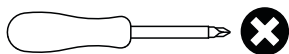
HARDWARE REQUIRED

A  10
Ø 8 x 30mm

D  06
Ø 3,0 x 14mm (Black)

M  02

TOOLS REQUIRED



!
Please assemble on a clean soft surface to avoid damage.

STEP 3

PARTS REQUIRED

7 - FRONT CROSSBEAM x1

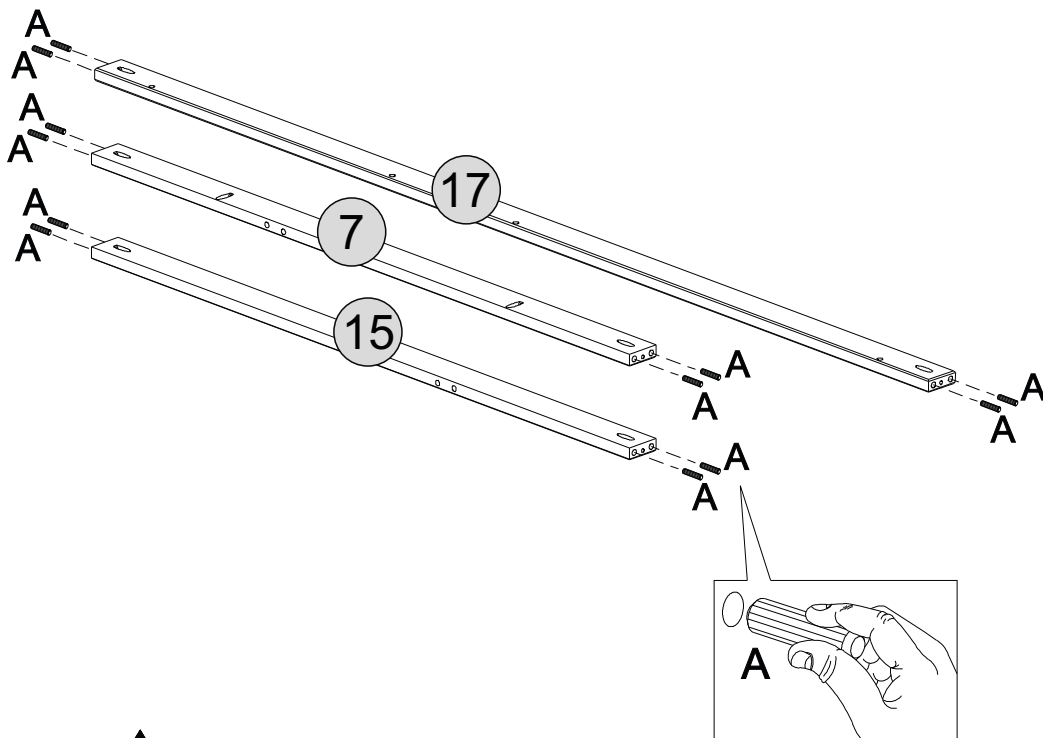
17 -CENTRE FRONT UPRIGHT x1

15 -FRONT CROSSBEAM x1

HARDWARE REQUIRED

A  12
Ø 8 x 30mm

TOOLS REQUIRED




Please assemble on a clean soft surface to avoid damage.

STEP 4

PARTS REQUIRED

8 - BASE x1

13 -FIXED SHELF x1

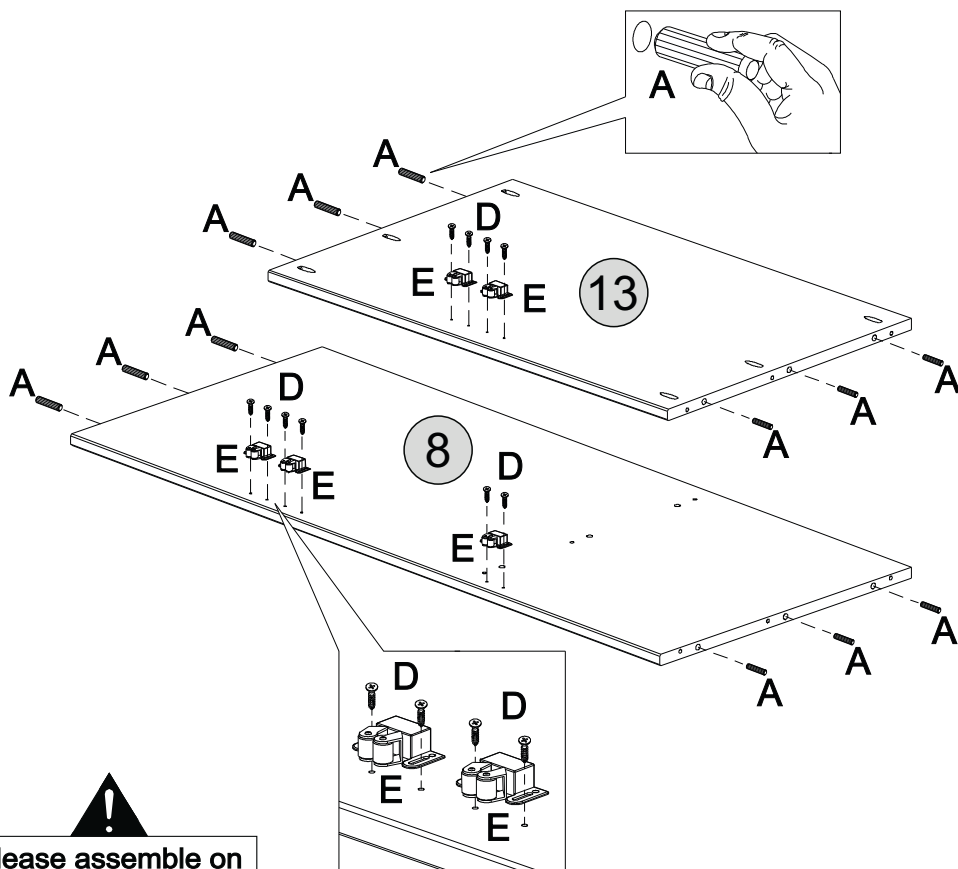
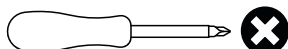
HARDWARE REQUIRED

A  12
Ø 8 x 30mm

D  10
Ø 3,0 x 14mm

E  05

TOOLS REQUIRED




Please assemble on a clean soft surface to avoid damage.

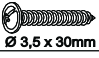
STEP 5

PARTS REQUIRED

16 - CENTRE PANEL x1

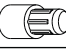
17 - CENTRE FRONT UPRIGHT x1

HARDWARE REQUIRED

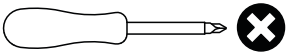
C  04
Ø 3,5 x 30mm


D  02
Ø 3,0 x 14mm

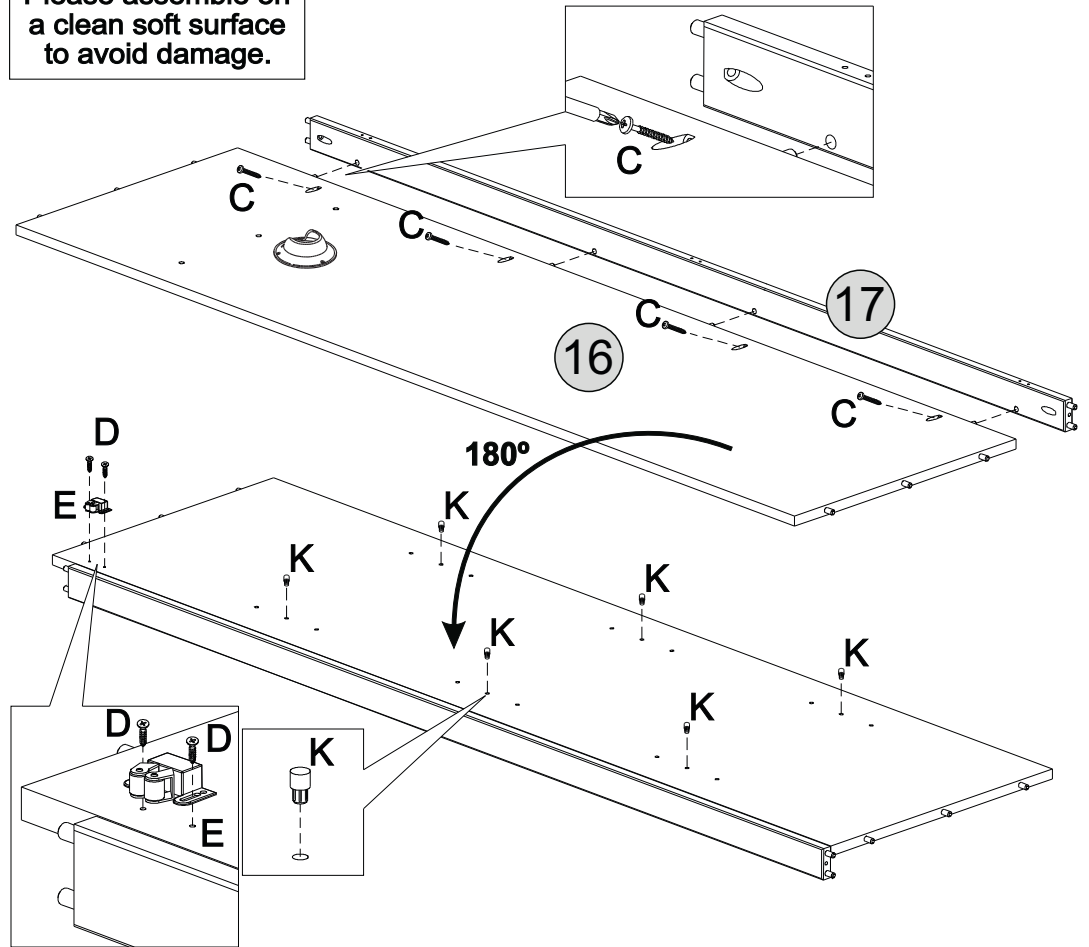
E  01

K  06

TOOLS REQUIRED



 Please assemble on a clean soft surface to avoid damage.



STEP 6

PARTS REQUIRED


1 - RIGHT SIDE PANEL x1

2 - LEFT SIDE PANEL x1

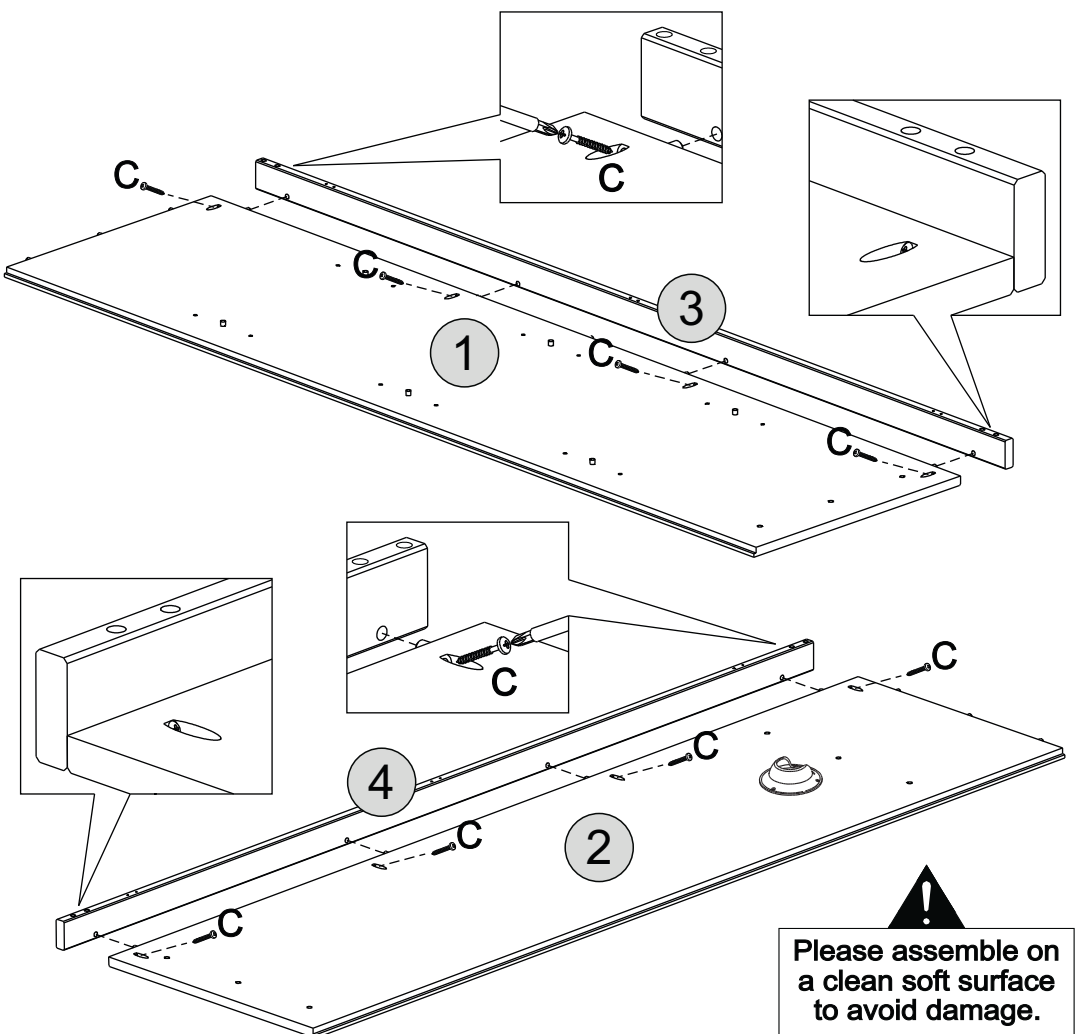
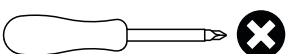
3 - RIGHT FRONT UPRIGHT x1

4 - LEFT FRONT UPRIGHT x1

HARDWARE REQUIRED

C  08
Ø 3,5 x 30mm

TOOLS REQUIRED





 Please assemble on a clean soft surface to avoid damage.

STEP 7

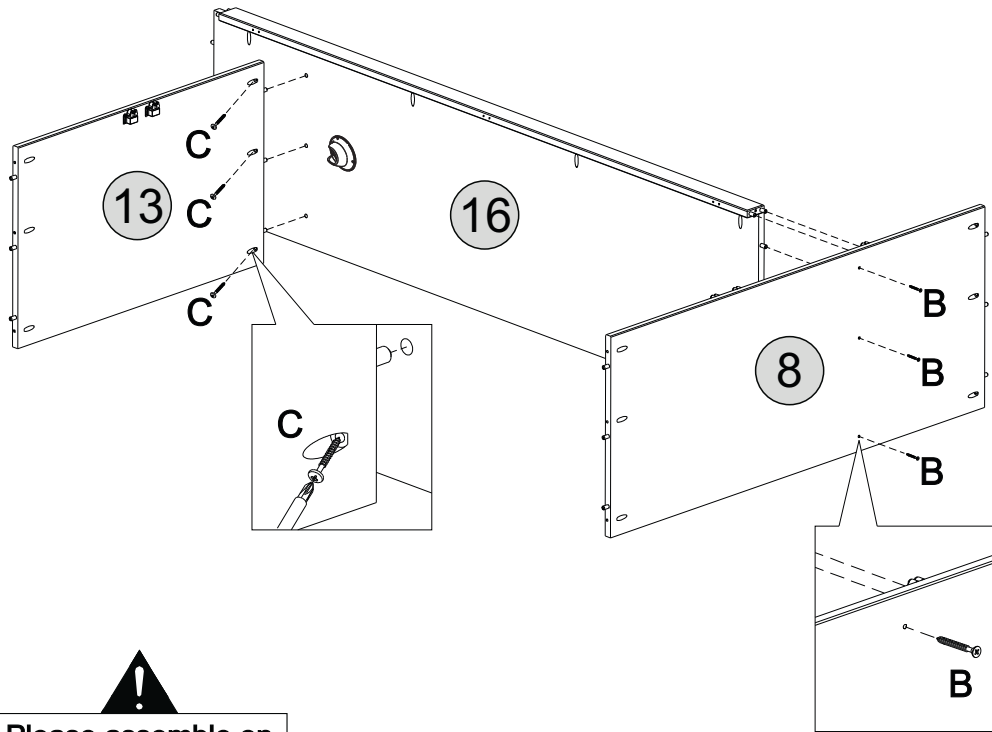
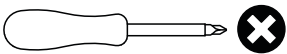
PARTS REQUIRED

8 - BASE	x1
13 -FIXED SHELF	x1
16 -CENTRE PANEL	x1

HARDWARE REQUIRED

B		03
C		03

TOOLS REQUIRED

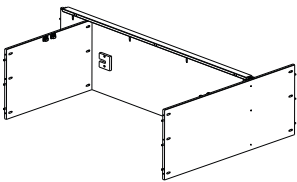


 Please assemble on a clean soft surface to avoid damage.


STEP 8

PARTS REQUIRED

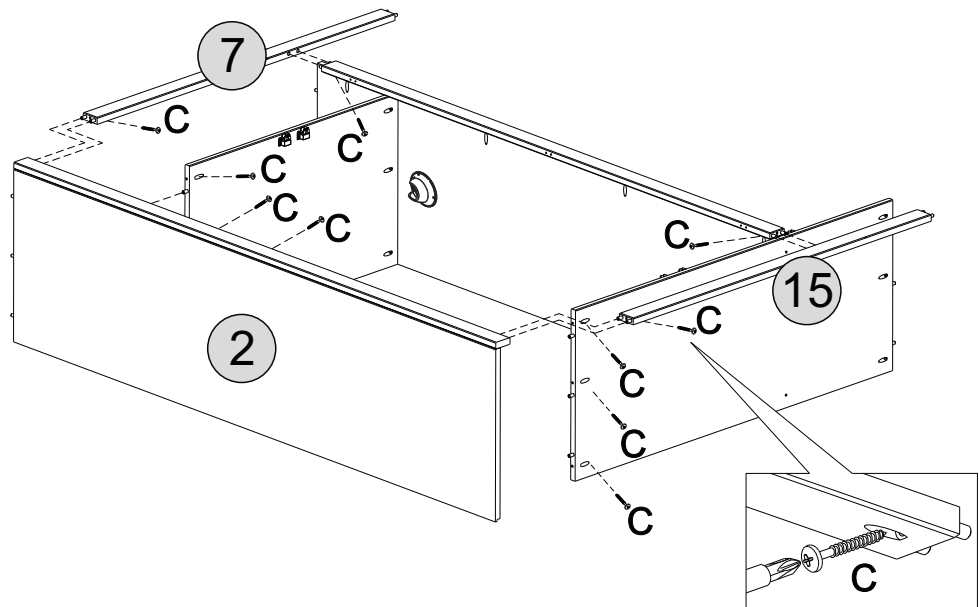
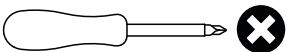
2 - LEFT SIDE PANEL	x1
7 - FRONT CROSSBEAM	x1
15 -FRONT CROSSBEAM	x1



HARDWARE REQUIRED

C		10
---	---	----

TOOLS REQUIRED

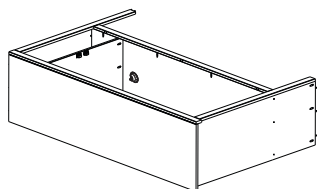


 Please assemble on a clean soft surface to avoid damage.

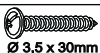
STEP 9

PARTS REQUIRED

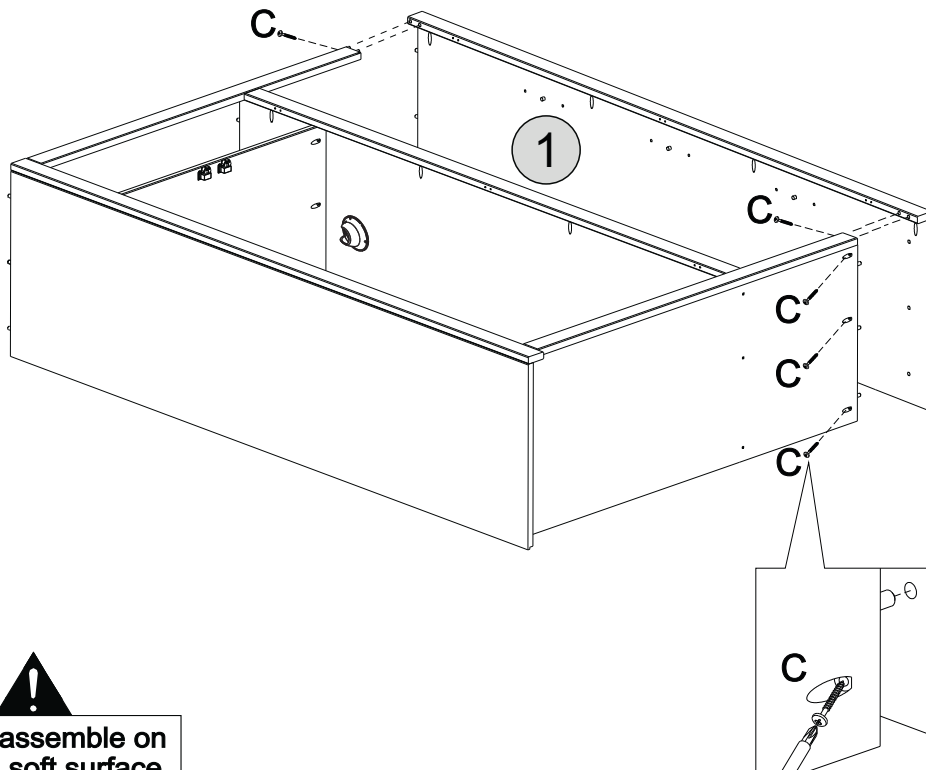
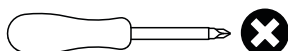
1 - LEFT SIDE PANEL x1



HARDWARE REQUIRED

C  05
Ø 3,5 x 30mm

TOOLS REQUIRED

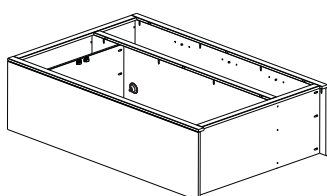


!
Please assemble on a clean soft surface to avoid damage.

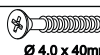
STEP 10

PARTS REQUIRED

5 - TOP PANEL x1

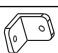


HARDWARE REQUIRED

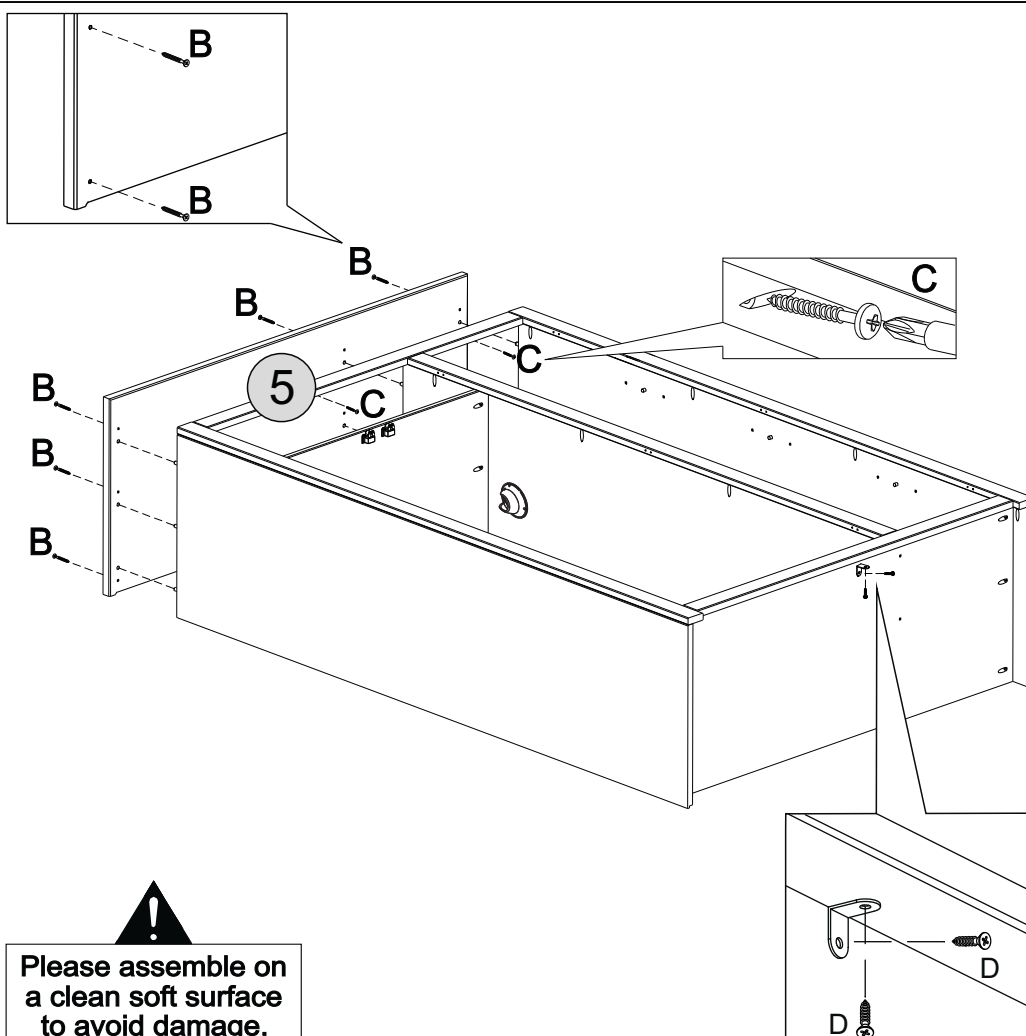
B  09
Ø 4,0 x 40mm

C  02
Ø 3,5 x 30mm

D  02
Ø 3,0 x 14mm (Black)

L  01

TOOLS REQUIRED



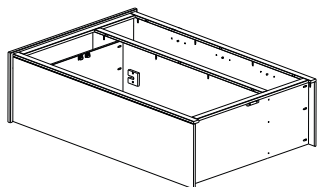
!
Please assemble on a clean soft surface to avoid damage.

STEP 11


PARTS REQUIRED

9 - BACK PANEL x2

19 - LARGE BACK PANEL x1

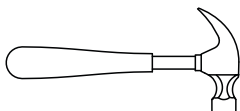


HARDWARE REQUIRED

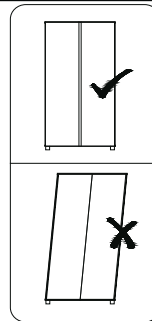
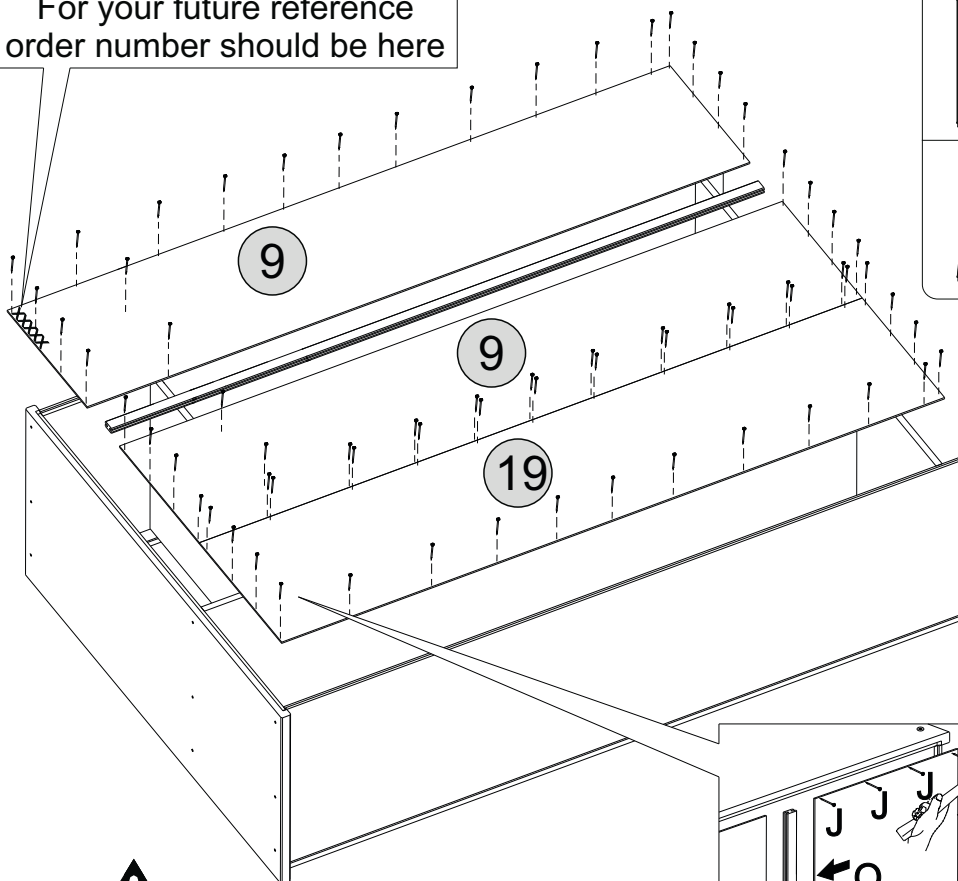
J  10x10mm 70

O  01

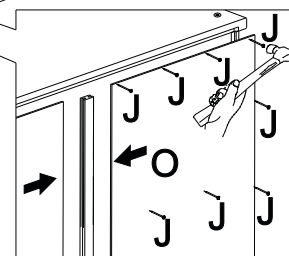
TOOLS REQUIRED



For your future reference order number should be here



Please assemble on a clean soft surface to avoid damage.

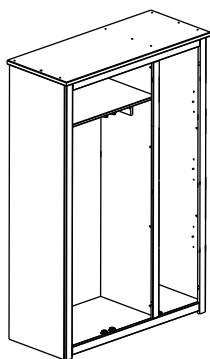


STEP 12

PARTS REQUIRED

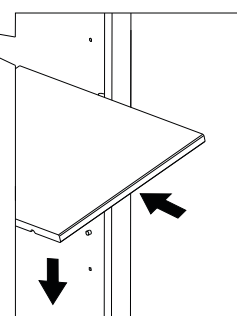
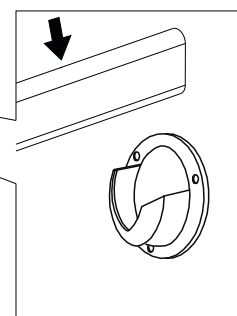
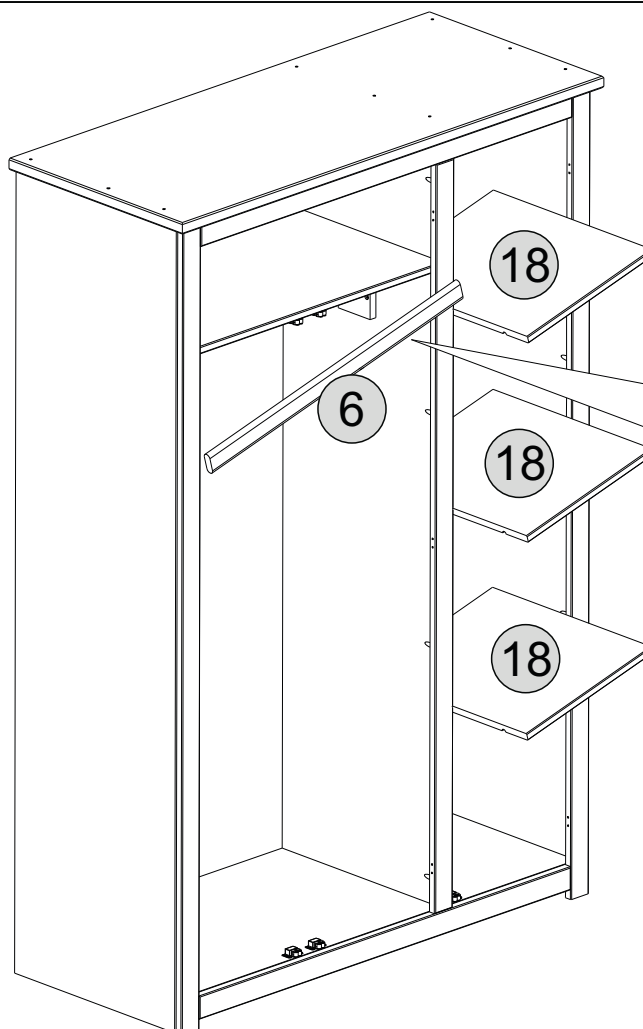
6 - HANGING RAIL x1

18 - ADJUSTABLE SHELF x3



HARDWARE REQUIRED

TOOLS REQUIRED



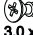
STEP 13


PARTS REQUIRED

12 - LEFT DOOR x1

14 - DOOR STRIP x1

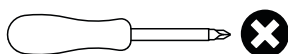
HARDWARE REQUIRED

D  15
Ø 3,0 x 14mm

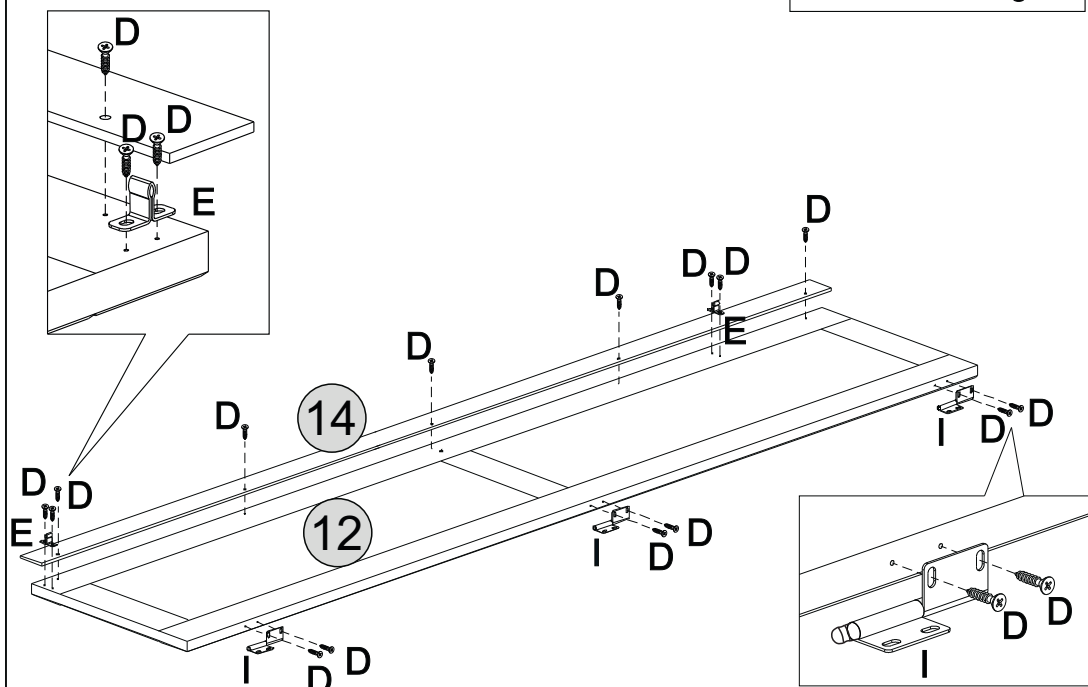
E  02

I  03
Left

TOOLS REQUIRED



!
Please assemble on a clean soft surface to avoid damage.




STEP 14


PARTS REQUIRED

11 - CENTRE DOOR x1

10 - RIGHT DOOR x1

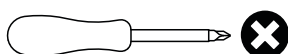
HARDWARE REQUIRED

D  20
Ø 3,0 x 14mm

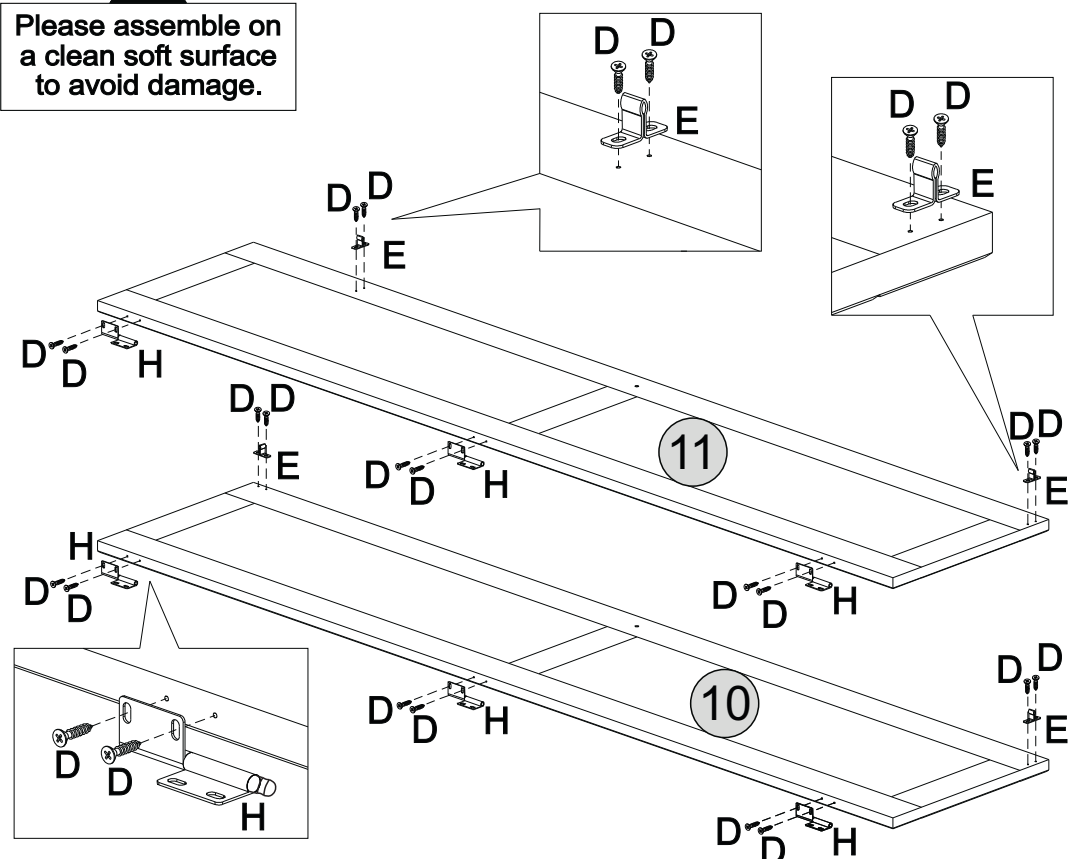
E  04

H  06
Right

TOOLS REQUIRED



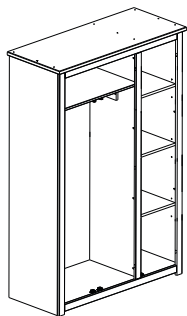
!
Please assemble on a clean soft surface to avoid damage.




STEP 15

PARTS REQUIRED

12 - LEFT DOOR x1



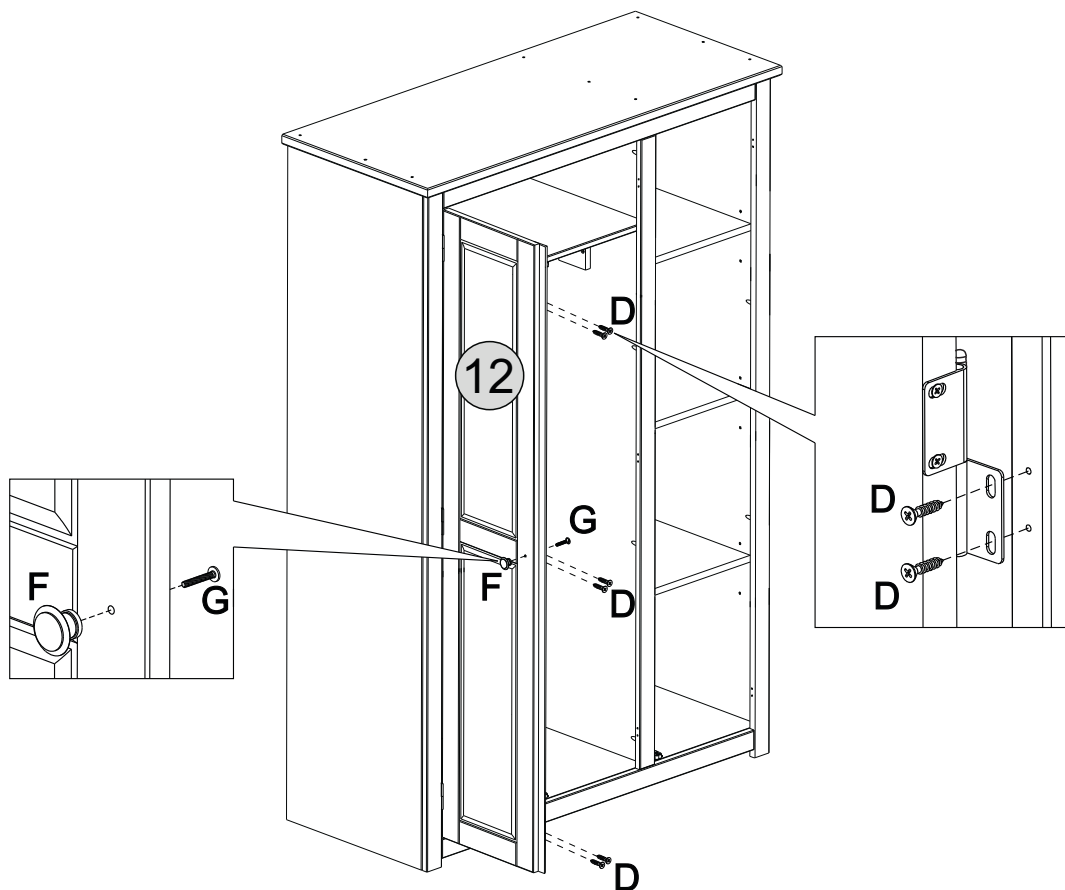
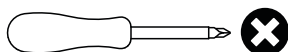
HARDWARE REQUIRED

D  06
Ø 3,0 x 14mm

F  01

G  01
M4 x 25mm

TOOLS REQUIRED

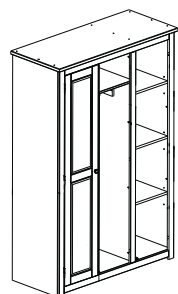


STEP 16


PARTS REQUIRED

11 - CENTRE DOOR x1

10 - RIGHT DOOR x1



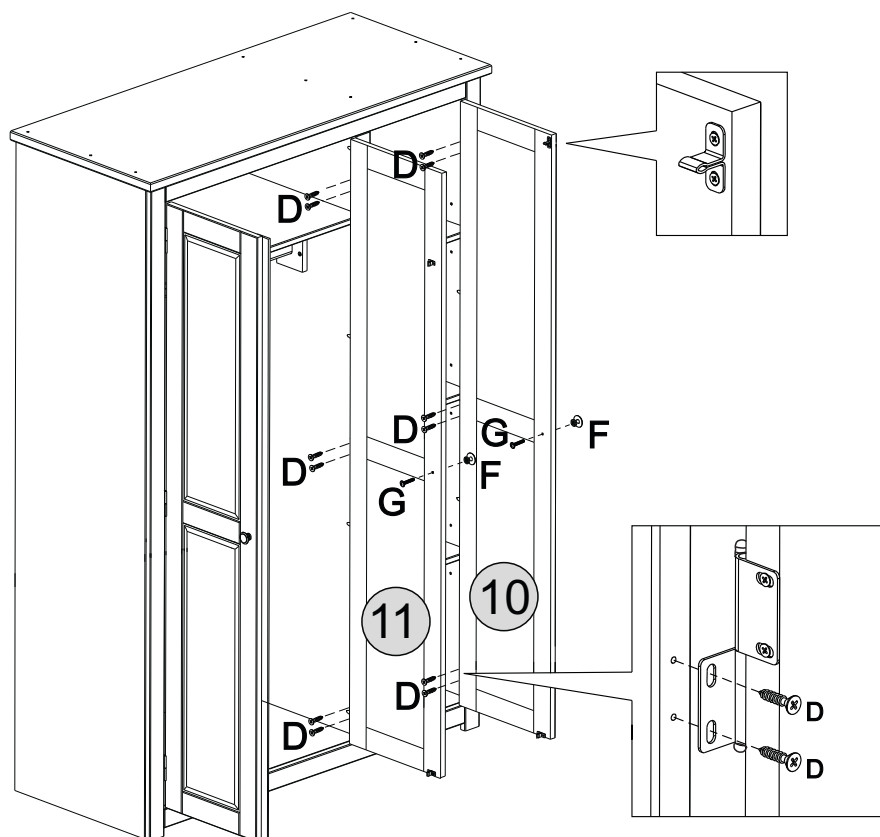
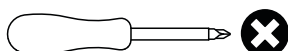
HARDWARE REQUIRED

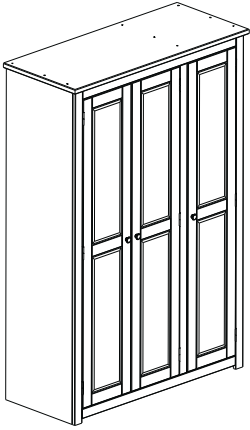
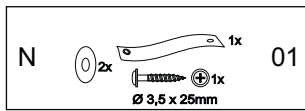
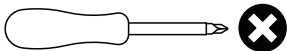
D  12
Ø 3,0 x 14mm

F  02

G  02
M4 x 25mm

TOOLS REQUIRED



STEP 17**PARTS REQUIRED****HARDWARE REQUIRED****TOOLS REQUIRED****WARNING**

Serious or fatal injuries can occur from furniture tipping over. To prevent the furniture from tipping over we recommend that it is permanently fixed to the wall.

Wall fixings are not supplied with this product as different wall materials require different types of fixing devices. Please make sure you use fixings suitable for the walls in your home.

