

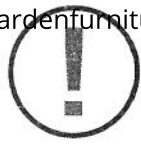


COTSWOLD GARDEN FURNITURE

Assembly Instructions

The Stow Garden Furniture

<https://cotswoldgardenfurniture.co.uk>



SAFETY AND CARE ADVICE

PLEASE READ THESE INSTRUCTIONS CAREFULLY AND KEEP FOR FUTURE

- Check you have all the components and tools listed on pages 2 and 3.
- Remove all fittings from the plastic bags and separate them into their groups.
- Keep children and animals away from the work area, small parts could choke if swallowed.
- Make sure you have enough space to layout the parts before starting.
- Do not stand or put weight on the product, this could cause damage.
- Assemble on a soft level surface to avoid damaging the unit or your floor (use opened out unit carton).
- We do not recommend the use of power drill/drivers for inserting screws, as this could damage the unit. Only use hand screwdrivers.
- If there is any chance of this unit being pulled over by children etc. it is recommended that the unit is secured to a wall using suitable fixings.
- Dispose of all packaging carefully and responsibly.



Care and maintenance

Only clean using a damp cloth and mild detergent, do not use bleach or abrasive cleaners.

From time to time check that there are no loose screws on this unit.







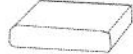

This product should not be discarded with household waste.

Take to your local authority waste disposal center.

COMPONENTS

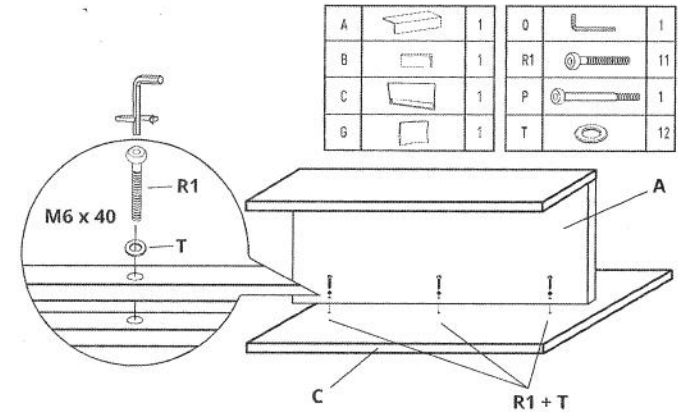
A x1	B x1	C x1	D x1
E x1	F x1	G1 x1	G2 x1
H x3	I x6	J x6	K x1
L x2	M x1	N Clear Tempered Glass x1	O x1
P M6 x 100 x2	Q M6 x 65 x1	R M6 x 35 x40	R1 M6 x 40 x22

COMPONENTS

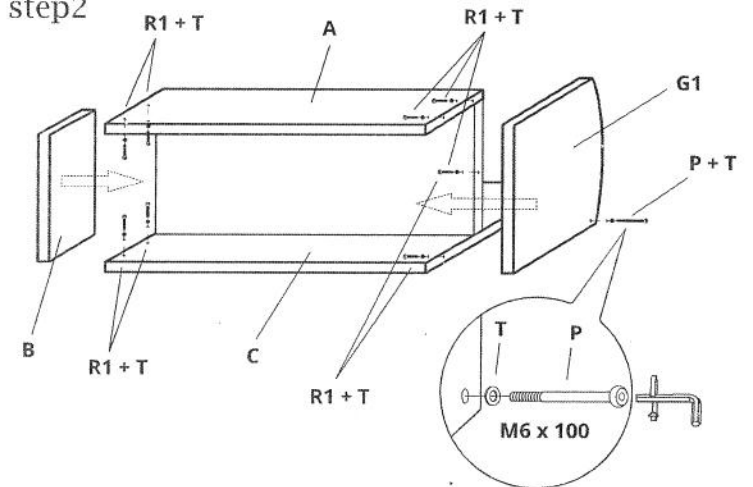
<p>S</p>  <p>M6 x 15</p> <p>x4</p>	<p>T</p>  <p>x69</p>	<p>U</p>  <p>x1</p>	<p>V</p>  <p>x7</p>
<p>W</p>  <p>x1</p>	<p>X</p>  <p>x1</p>	<p>Y</p>  <p>x3</p>	<p>Z</p>  <p>x2</p>

ASSEMBLY INSTRUCTIONS

step1 Please note, When building this product bolts should be finger tightened until all parts are in place. Only once all parts and bolts are assembled should bolts them be fully tightened using the ratchet.

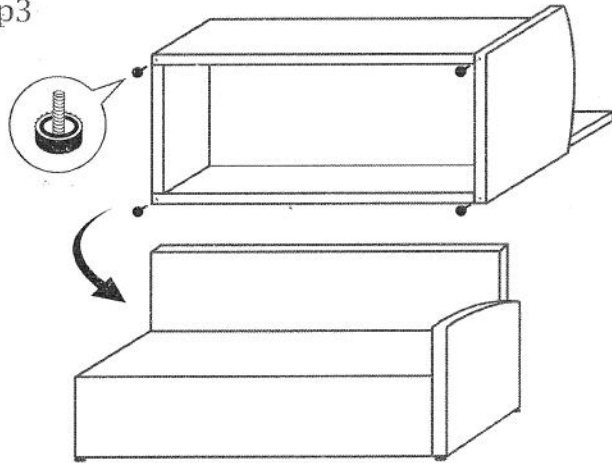


step2

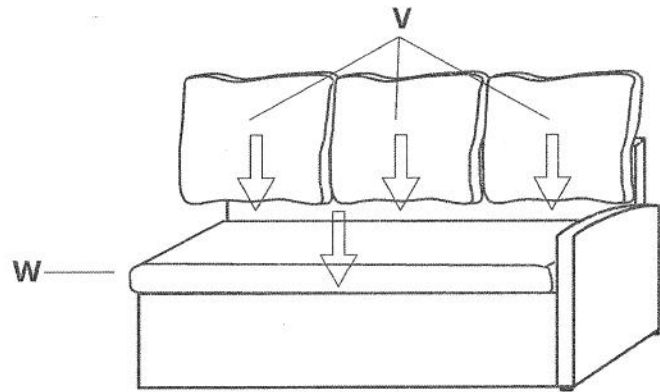


ASSEMBLY INSTRUCTIONS

step3



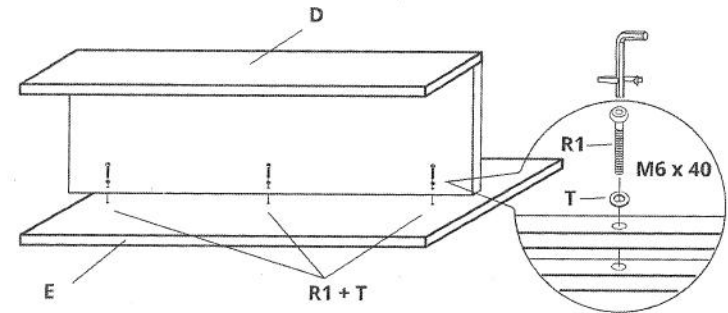
step4



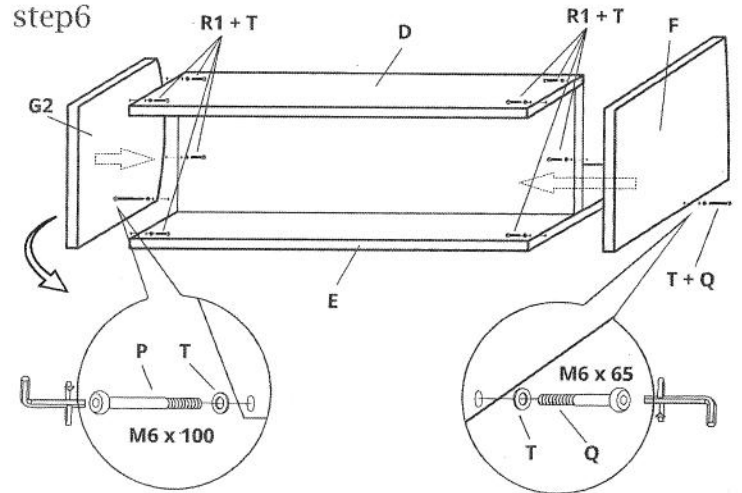
ASSEMBLY INSTRUCTIONS

step5

D		1	G		1	P		1
E		1	O		1	Q		1
F		1	T		13	R1		11

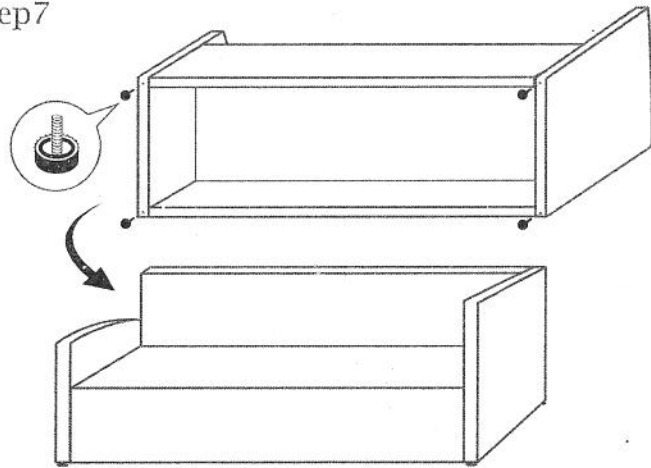


step6

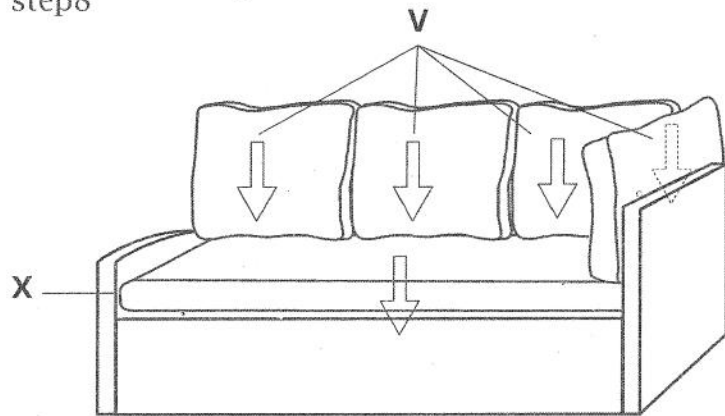


ASSEMBLY INSTRUCTIONS

step7

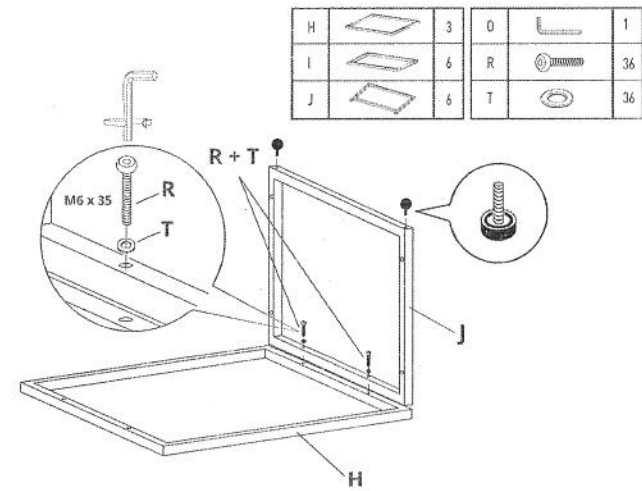


step8

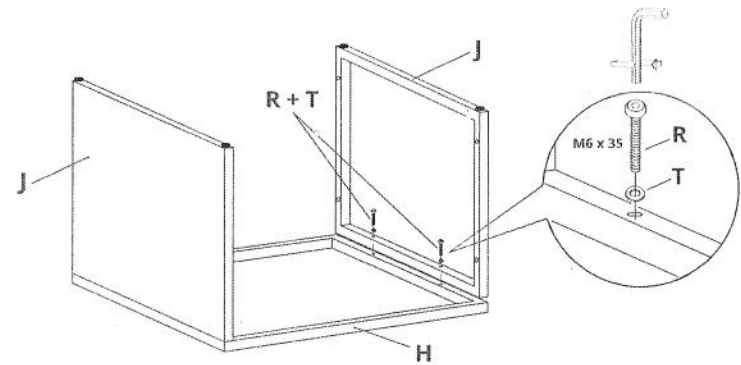


ASSEMBLY INSTRUCTIONS

step9

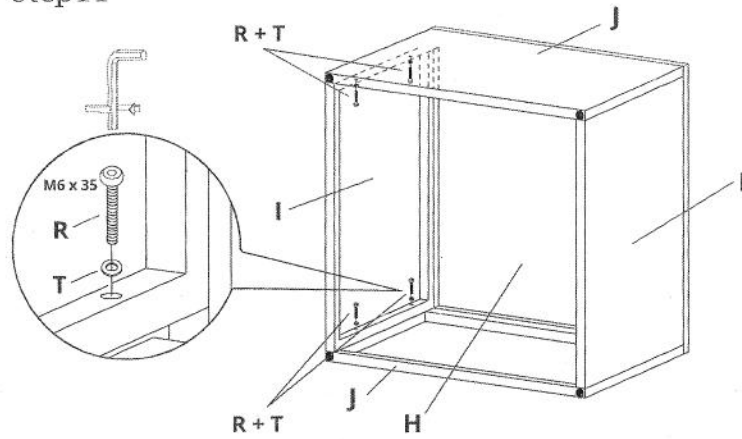


step10

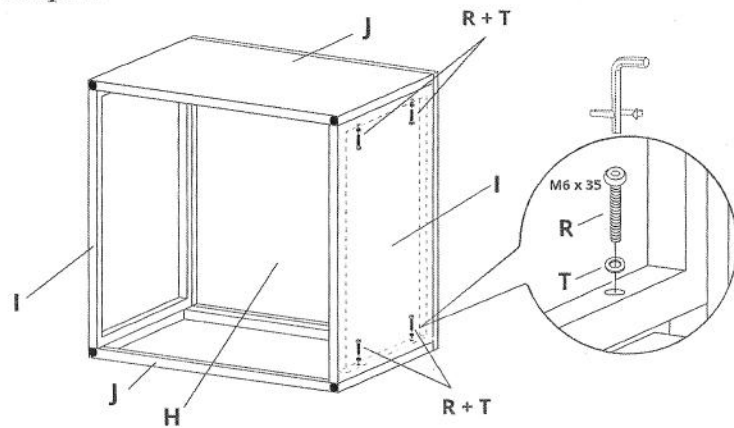


ASSEMBLY INSTRUCTIONS

step11



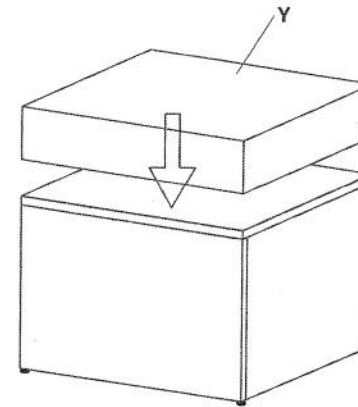
step12



ASSEMBLY INSTRUCTIONS

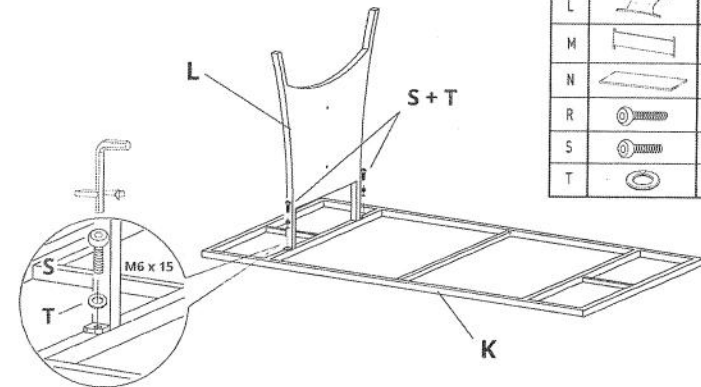
step13

Y		3
---	--	---



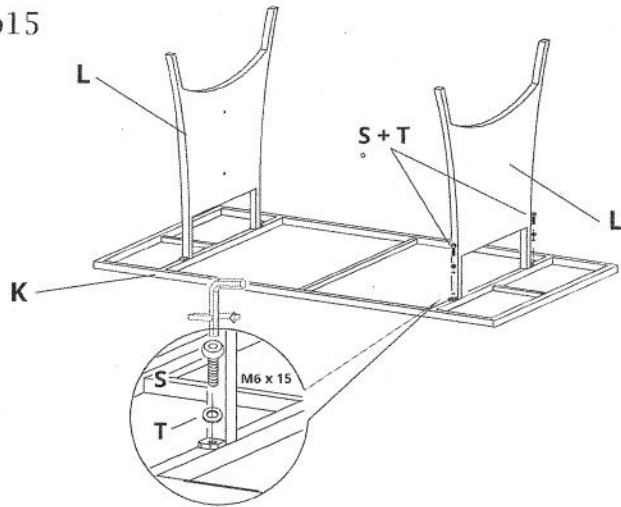
step14

K		1
L		2
M		1
N		1
R		4
S		4
T		8

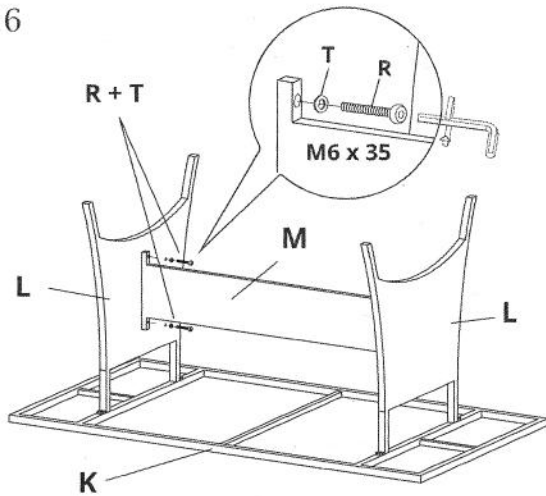


ASSEMBLY INSTRUCTIONS

step15

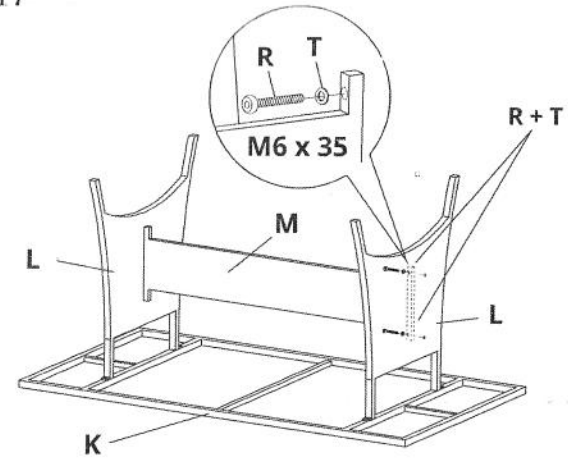


step16

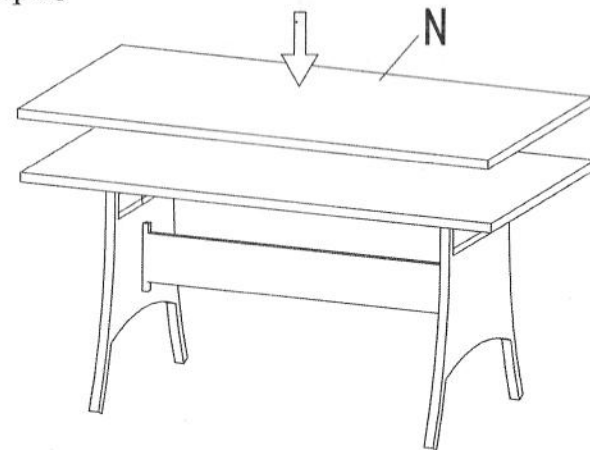


ASSEMBLY INSTRUCTIONS

step17

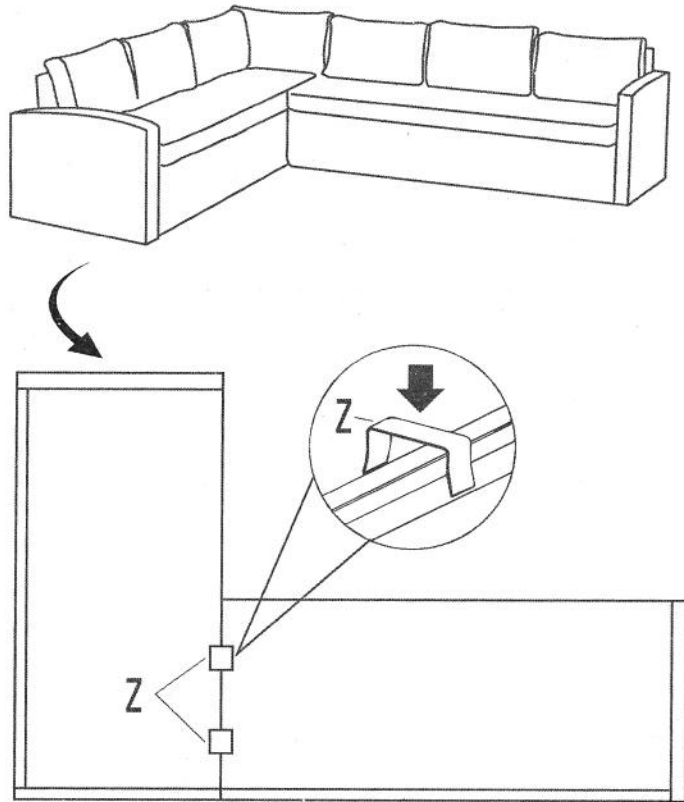


step18

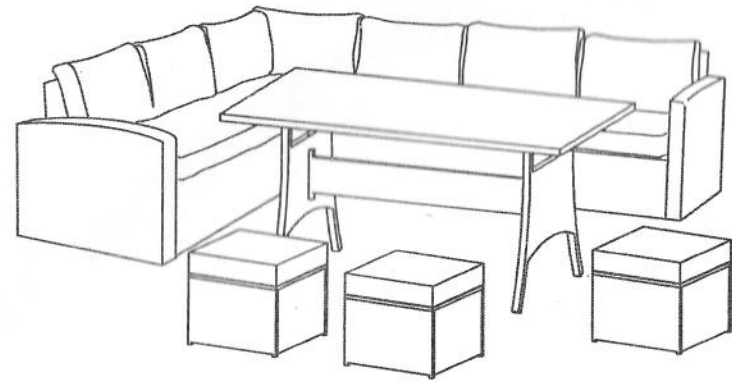


ASSEMBLY INSTRUCTIONS

step19



ASSEMBLY INSTRUCTIONS



*Congratulations!
Now you have finished assembling the product.*