



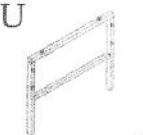



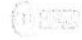







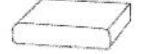
COTSWOLD GARDEN FURNITURE

Assembly Instructions

The Oxford Garden Sofa Set

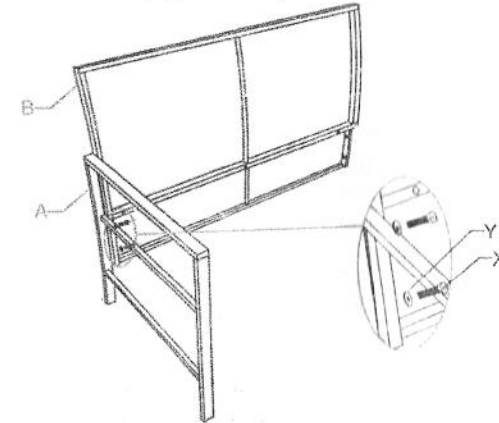
<https://cotswoldgardenfurniture.co.uk>

ASSEMBLY INSTRUCTIONS

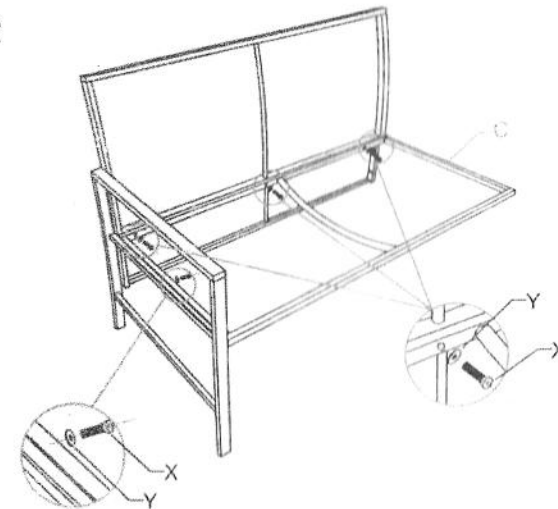
 U x4	 V x4	 W M6x15 x4	 X M6x35 x46
 X1 M6 x50 x1	 Y x75	 Z M6x30 x24	 A1 x2
 B1 x1	 C1 x7	 D1 x2	 E1 x1
 F1 x2			

ASSEMBLY INSTRUCTIONS

step1 Please note, When building this product bolts should be finger tightened until all parts are in place. Only once all parts and bolts are assembled should bolts them be fully tightened using the ratchet.



step2



ASSEMBLY INSTRUCTIONS

step3

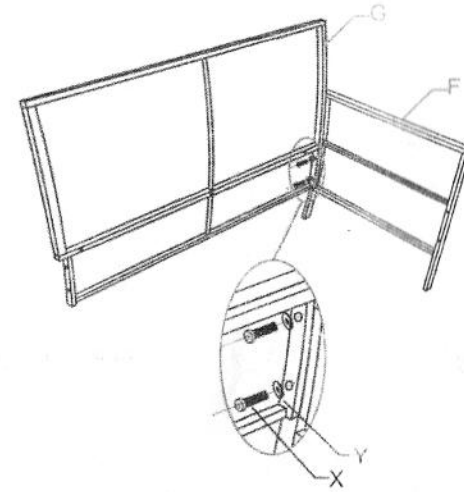


step4

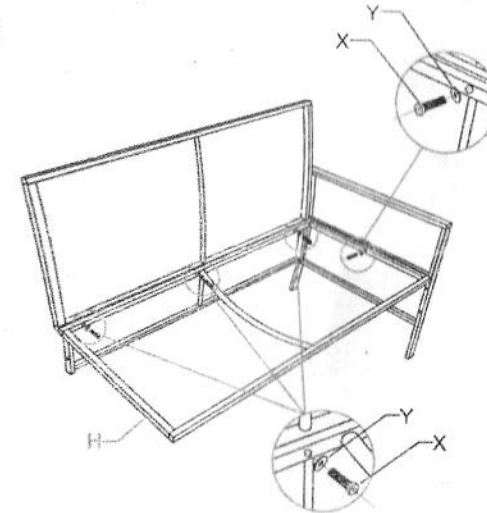


ASSEMBLY INSTRUCTIONS

step5

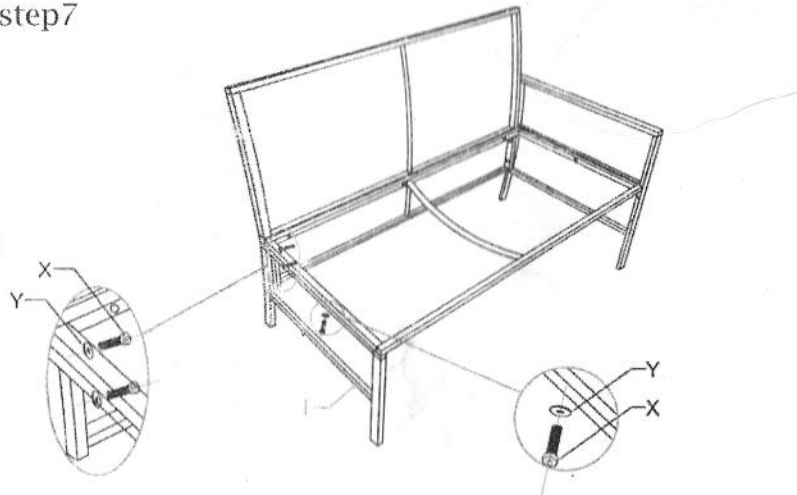


step6

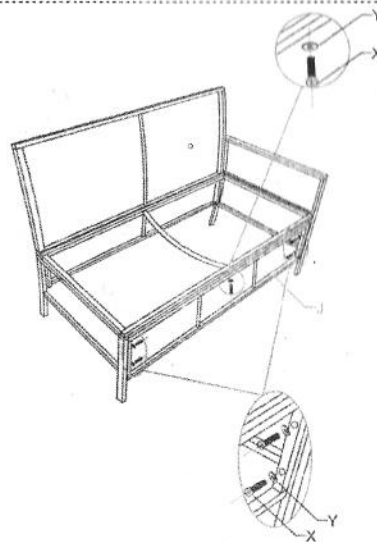


ASSEMBLY INSTRUCTIONS

step7

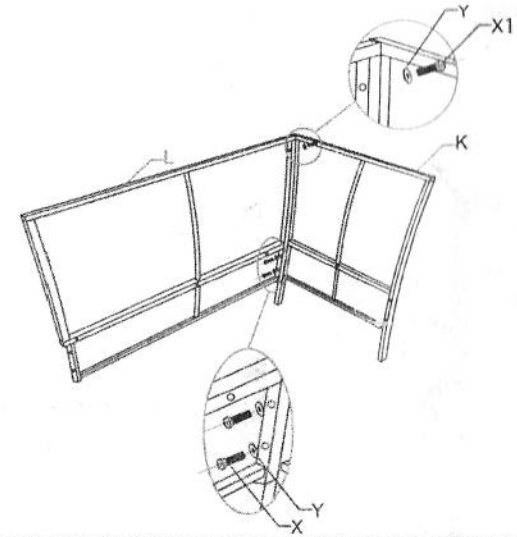


step8

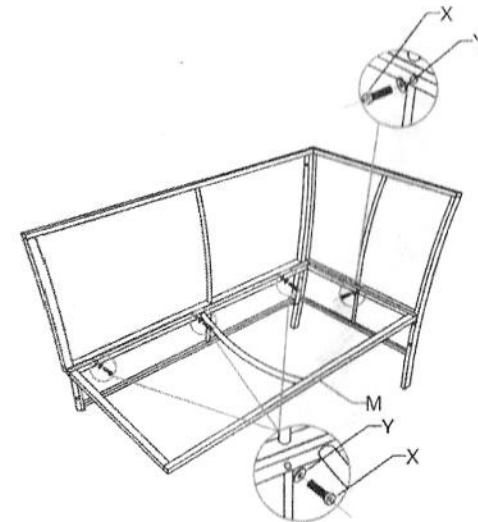


ASSEMBLY INSTRUCTIONS

step9

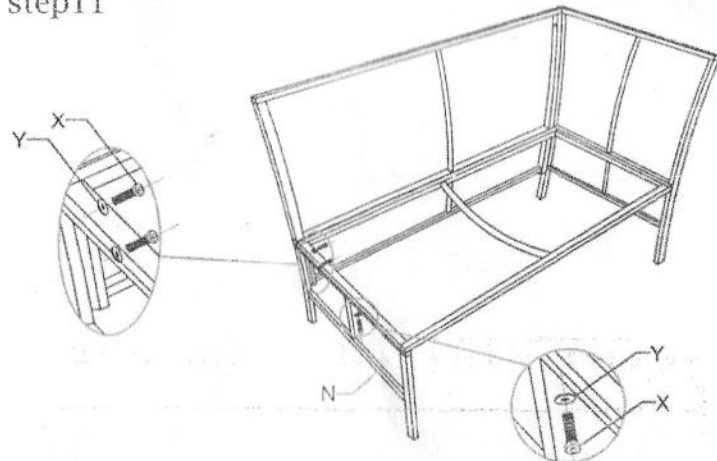


step10

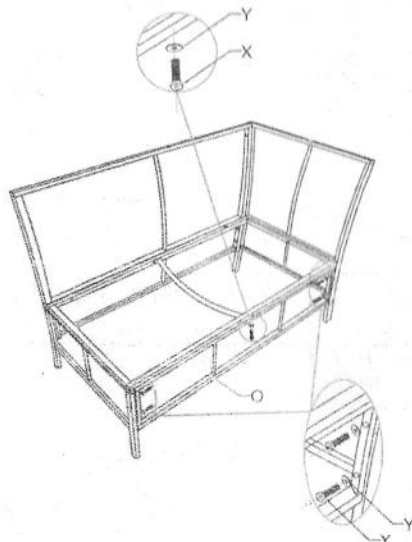


ASSEMBLY INSTRUCTIONS

step11

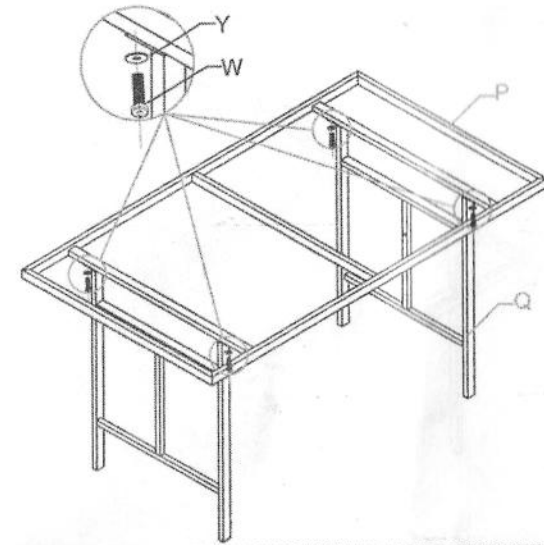


step12

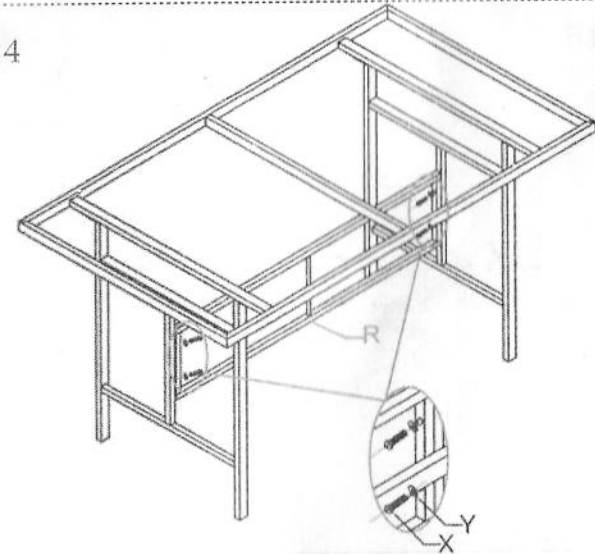


ASSEMBLY INSTRUCTIONS

step13

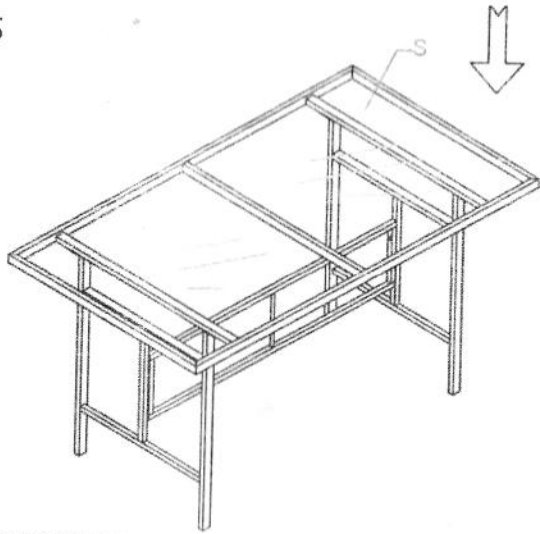


step14

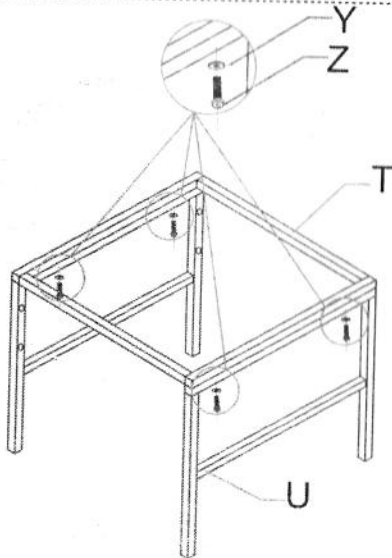


ASSEMBLY INSTRUCTIONS

step15

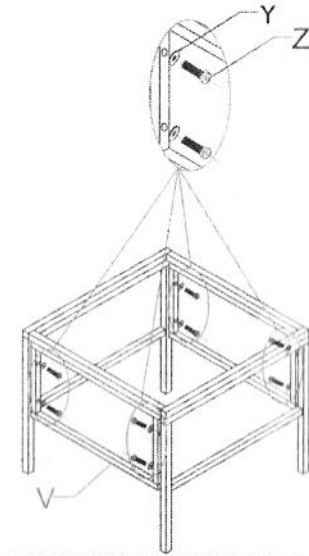


step16

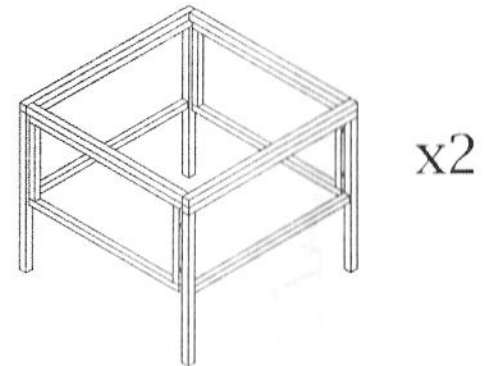


ASSEMBLY INSTRUCTIONS

step17

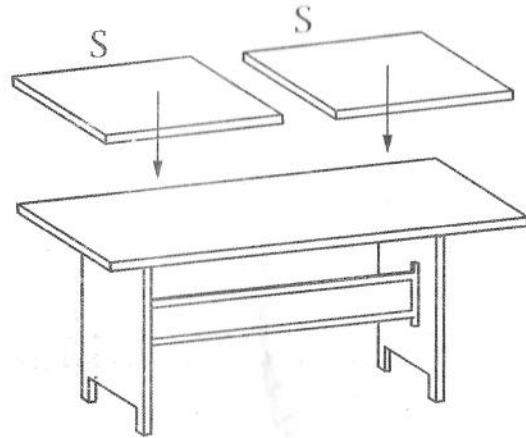


step18

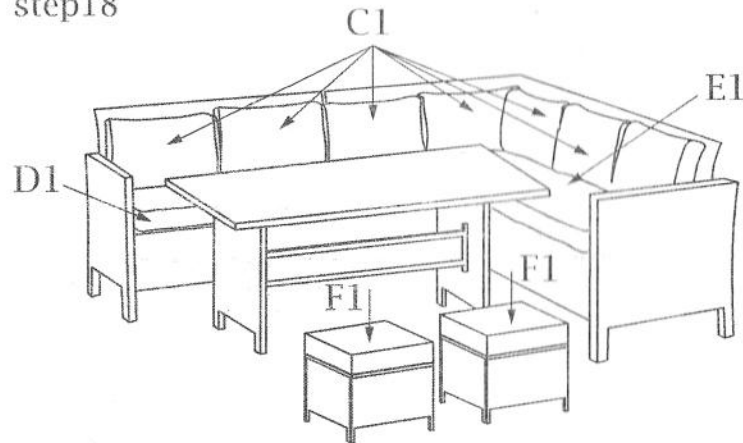


ASSEMBLY INSTRUCTIONS

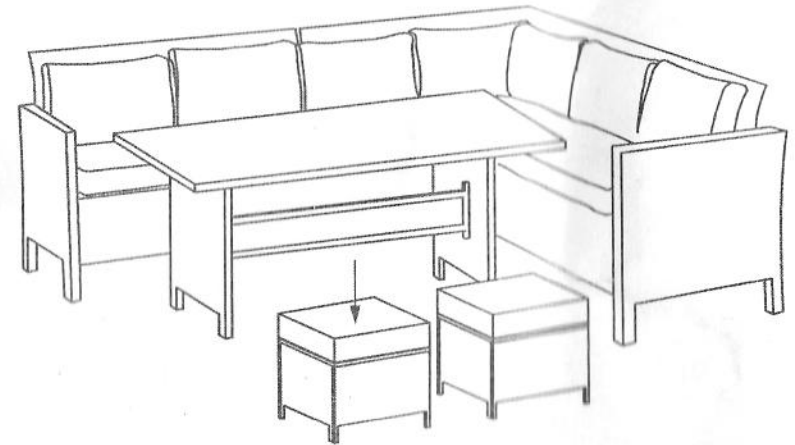
step17



step18



ASSEMBLY INSTRUCTIONS



*Congratulations!
Now you have finished assembling the product.*

