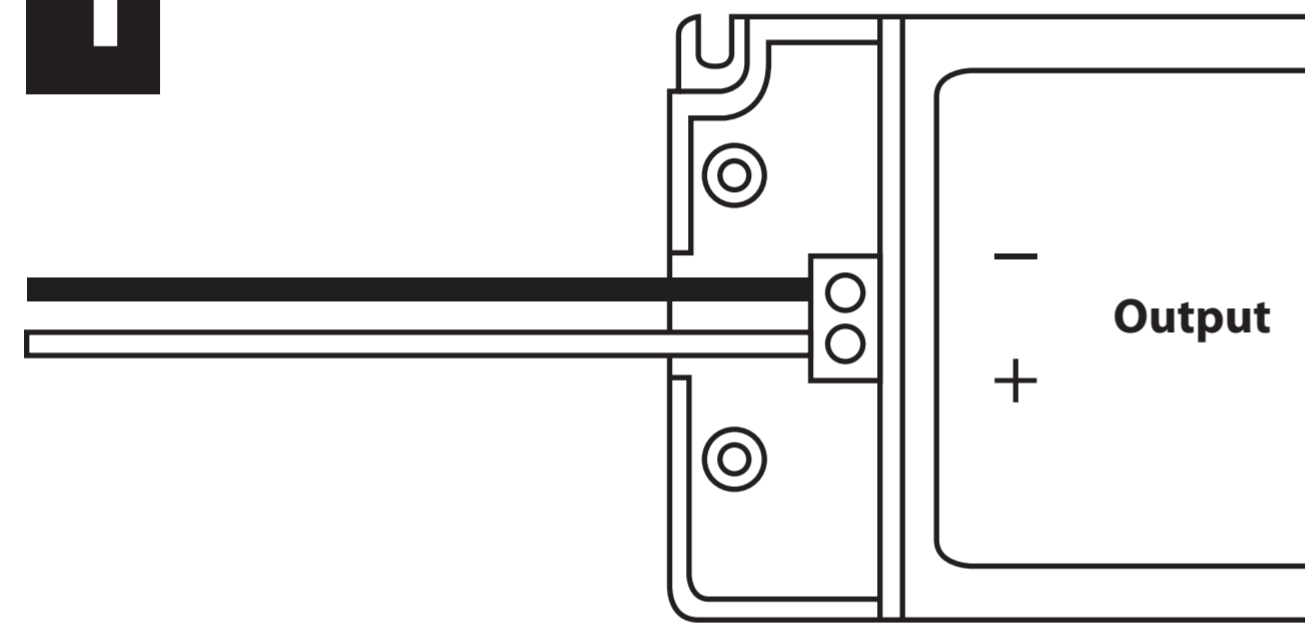


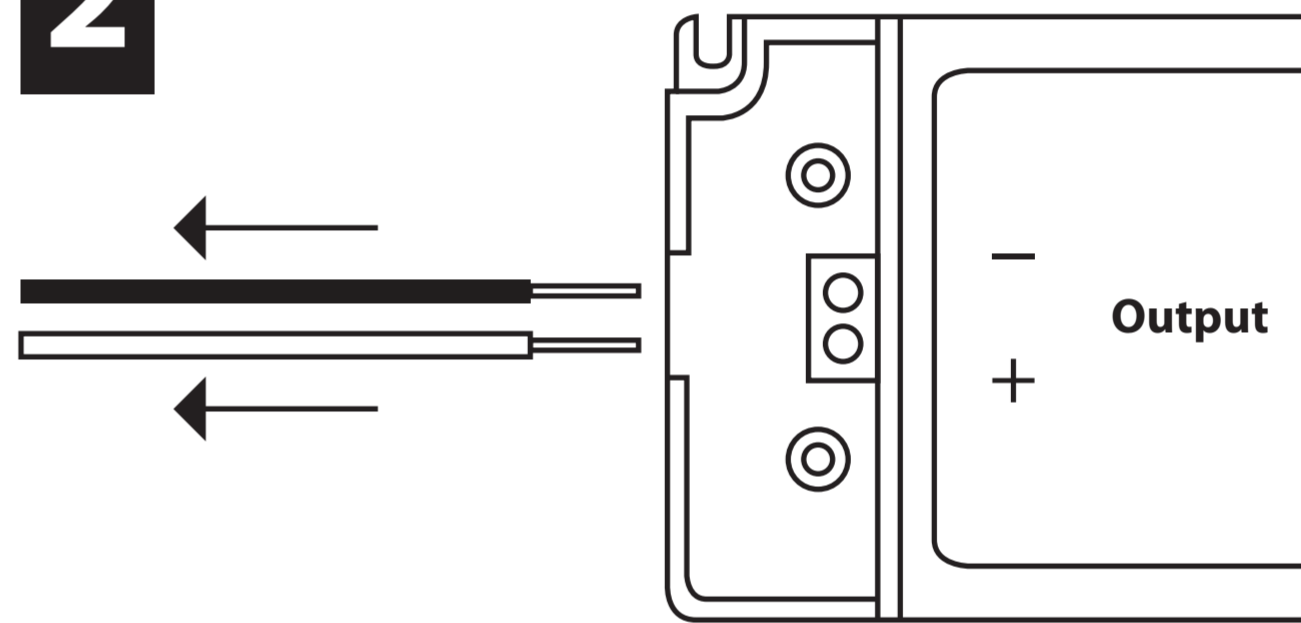
Troubleshooting Guide

If there is no power from interconnect cable when connected to the LED light panel, please reconnect the interconnect cables in an opposite way as shown below to troubleshoot.

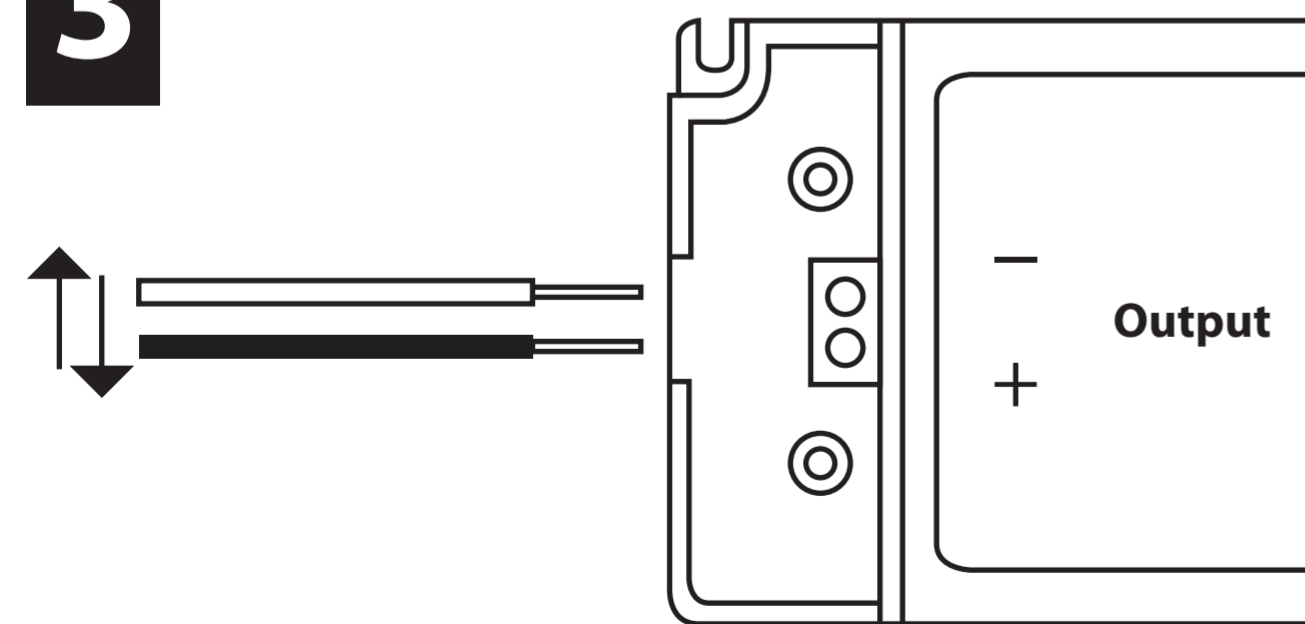
1



2



3



4

