

FLOS

Gaku Wireless, Black - Specification Sheet by Nendo, 2018

Mounting	Table Top
Lamp (Bulb) Description	LED ARRAY 2W 2700K 120lm CRI90
Environment	Indoor - Dry Location
Finish	Black
Technical and Product Description	FLOS introduces Gaku, a creative modular light set in an open ash frame by acclaimed design studio Nendo. A world of options opens up inside and outside the natural- or black-stained frame, where lighting components and accessories can be customized to tailor this floor or table lamp to one's needs. Five add-on accessories – a bowl, vase, key bowl, bookend, and mirror - adorn the basic structure of the lamp while turning the piece into a do-it-all tool for the home.

Gaku is available in two styles, wire and wireless. The wire model features a small white or black polycarbonate pendant light suspended inside the frame. The pendant's height can be adjusted and the brightness is modified through a push-button dimmer switch on the power cord.

The wireless design integrates an induction charger in the frame that powers a lamp through non-contact charging. The portable luminary can be moved to provide light wherever needed. Featuring four levels of brightness controlled through a dimmer switch on the light fitting, the fixture can operate for six to 48 hours autonomously. A battery indicator light shows when it needs to be recharged.

Gaku's corded power supply comes with a USB outlet and interchangeable plugs.

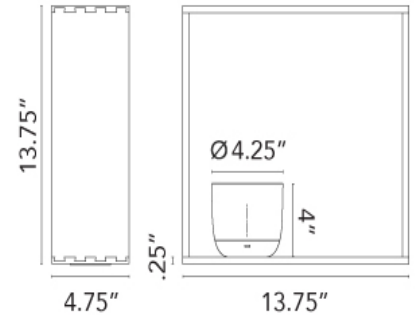
Inspiration Behind the Design:

When he sets out on a project, Oki Sato aims to create what's never been created before. "I wish to design something that I can't think of," the principal of Japanese studio Nendo says. "If I can already imagine it, then it is less exciting for me." In his quest to challenge himself, Sato dreams up innovative products and spaces across sectors that push the boundaries of design. His imaginative approach has led to the creation of Gaku, a bold modular lighting fixture for FLOS that's now available in the U.S.



● F2520030 Black

Dimensional Image



Electrical

Switching	Push-button dimmer switch on the light unit with four levels of brightness.
IP Rating	IP20

Physical

Construction Material	Ash wood, Polycarbonate
Weight	5.51 lbs

