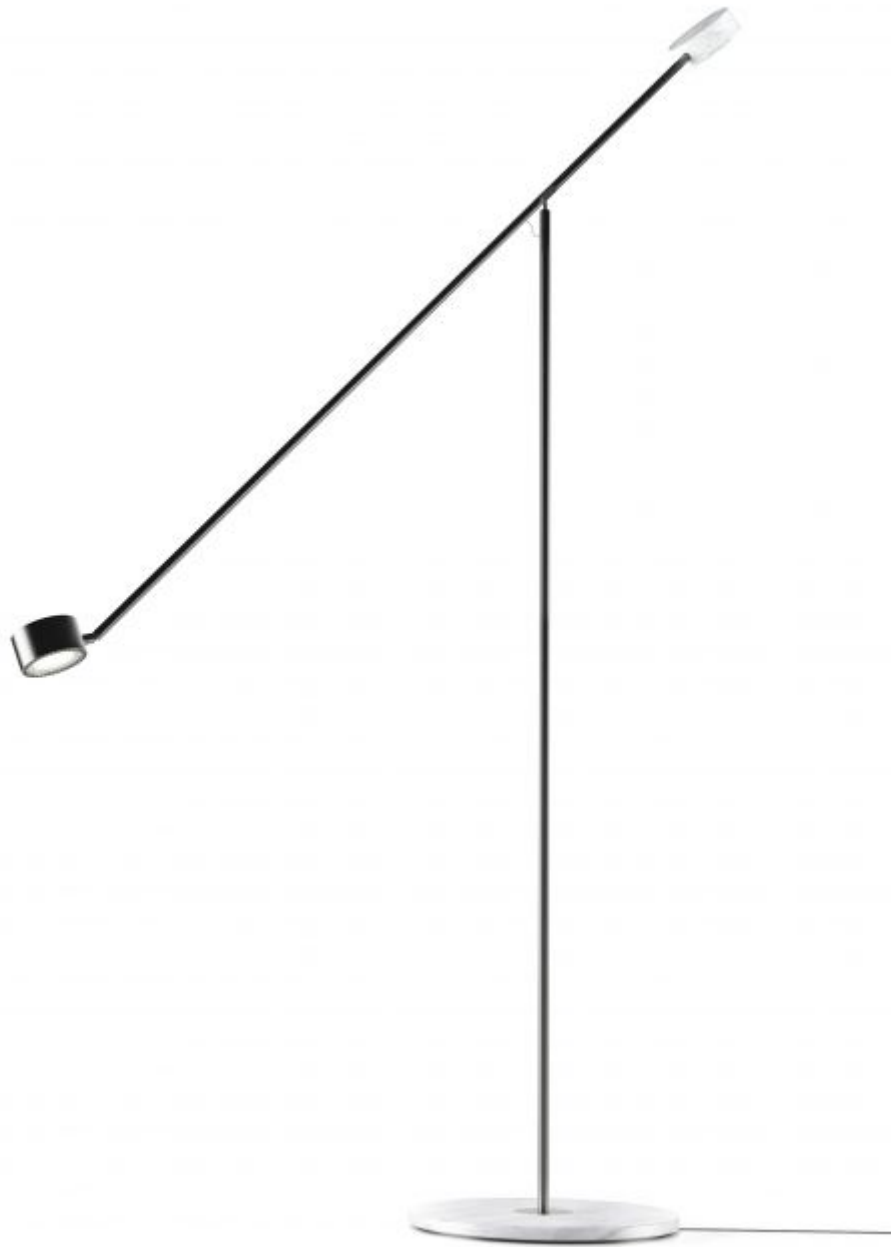


m o o o i<sup>®</sup>



## T Lamp

---

Based on the concepts of movement, grace and energy, the T Lamp by Marcel Wanders visually reminds us of the fluidity and light motion of Alexander Calder's kinetic mobiles.

---

**Designer**

Marcel Wanders

**Year of design**

2017



---

## technical

**Amount of LED's:**

1 power LED

**Colour temperature (degrees Kelvin, K) Colour rendering index:**

2700K / CRI 80

**Luminous flux (Lumen, lm):**

1150 lm

**Power consumption:**

MAX 20W

**Dimmable:**

Power supply with integrated dimmer

**Cable Length:**

11,48 ft / 3,5 m

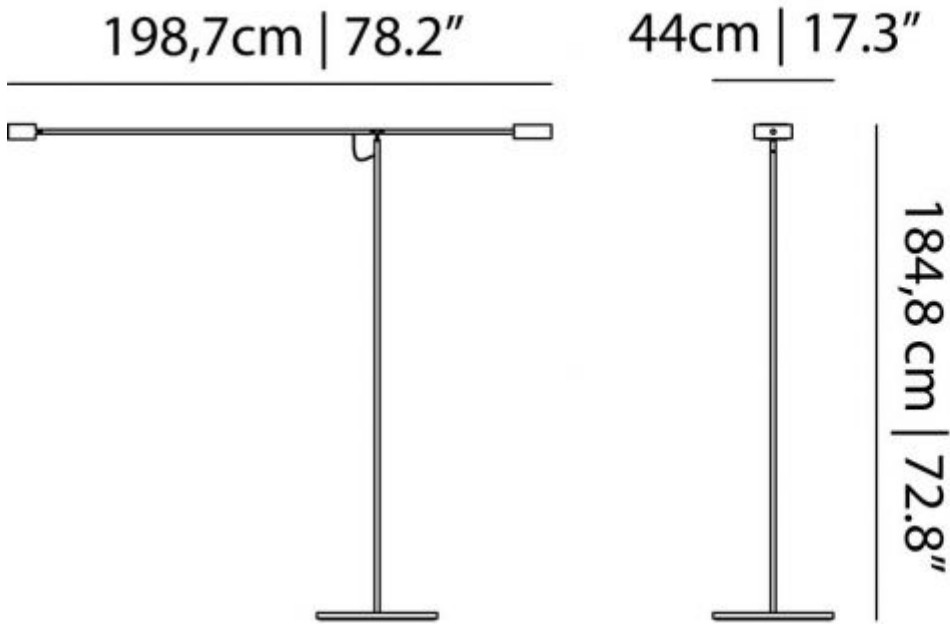
**Cable Colour:**

Transparent

---

# m o o o i<sup>®</sup>

## dimensions



## packaging

H 242 cm | 95,3"

W 48,2 cm | 19"

D 49 cm | 19,3"

Colli 1/1

Product weight:

40 KG | 88,2 lb

With packaging:

40 KG | 88,2 lb