

m o o o i[®]



Noot Noot

Uhuh, Purr & Noot Noot (owl, rabbit & penguin) are a series of table lamps by Marcel Wanders with their very own personalities and characteristics.

Designer

Marcel Wanders

Year of design

2018

Technical



Colours:
Gold, white opal

Dimmable:
Yes, in cable

Input Voltage:
230 VAC

Power Consumption:
Max 20W

Cable Colour:
Transparent

The Pet Light Noot Noot comes with a G9 light bulb, with the following specs:

Colour Temperature:
2700K

CRI:
90

Lumen:
Approx 250lm

If you wish to replace the light bulb, we recommend you to use a G9 bulb with frosted glass.



Noot Noot technical specs - CU

Suitable for the US/Canadian/Japanese market

Colours:

Gold, white opal

Dimmable:

Yes, in cable

Input Voltage:

120 VAC

Power Consumption:

Max 20W

Cable Colour:

Transparent

The Pet Light Noot Noot comes with a G9 light bulb, with the following specs:

Colour Temperature:

2700K

CRI:

90

Lumen:

Approx 250lm

If you wish to replace the light bulb, we recommend you to use a G9 bulb with frosted glass.

cleaning instructions

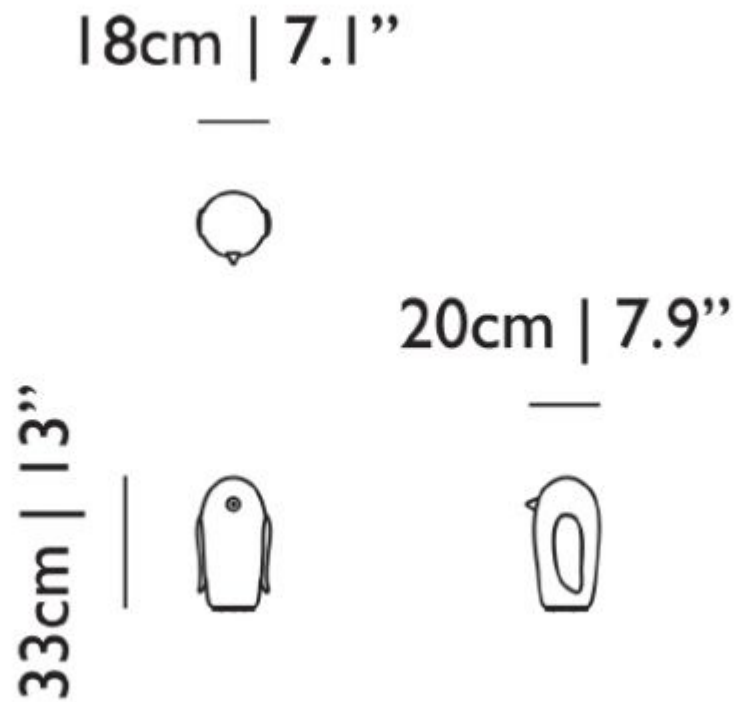
Note: Clean lamps when they're not in use.

The Pet Lights can effectively be cleaned using a regular household dust cloth (like microfibre) or feather duster. Try to avoid fingerprints on the golden surface. If the golden surface needs cleaning, please use a mild detergent on a cloth and rub gently.

Moooi recommends to always carefully read the label and instructions of cleaning products you wish to use on Moooi products. Please [contact your nearest Moooi dealer](#) for more information about cleaning your Moooi products.

m o o o i[®]

dimensions



Packaging

Pet Lights - Noot Noot, Purr, Uuh

H 39,7 cm | 15.6 "

W 29,7 cm | 11.6"

D 30 cm | 11.8"

Colli 1/1

Product weight with packaging:

3 KG | 6.6 lb