

m o o o i[®]



Filigree Floor Lamp

“What distinguishes a lamp from a light source?” is the question that initially triggered Rick Tegelaar to imagine and create the Filigree Floor lamp.

Designer	Rick Tegelaar
Year of design	2016
Material	PP translucent, brass, Stainless Steel, Aluminium
Additional	Solid State LED

m o o o i[®]

Technical

Amount of LED's:

1 Power LED

Colour temperature (degrees Kelvin, K) Colour rendering index:

2700K (warm white, comparable to incandescent) CRI_Ra > 80

Luminous flux (Lumen, lm):

3346 lm

Power consumption MAX 40W

Cable Length

plug to lamp: 3m

switch to lamp: 1,5m

Cable Colour

Transparant

Filigree technical (ce)



Input voltage of 110-240V ~50/60Hz

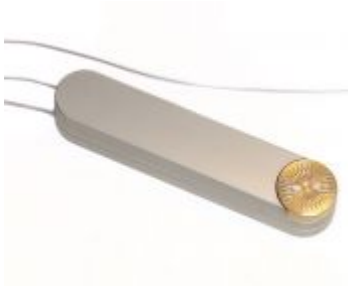
m o o o i[®]

Filigree technical (ul)



Input voltage of 110-240V ~50/60Hz

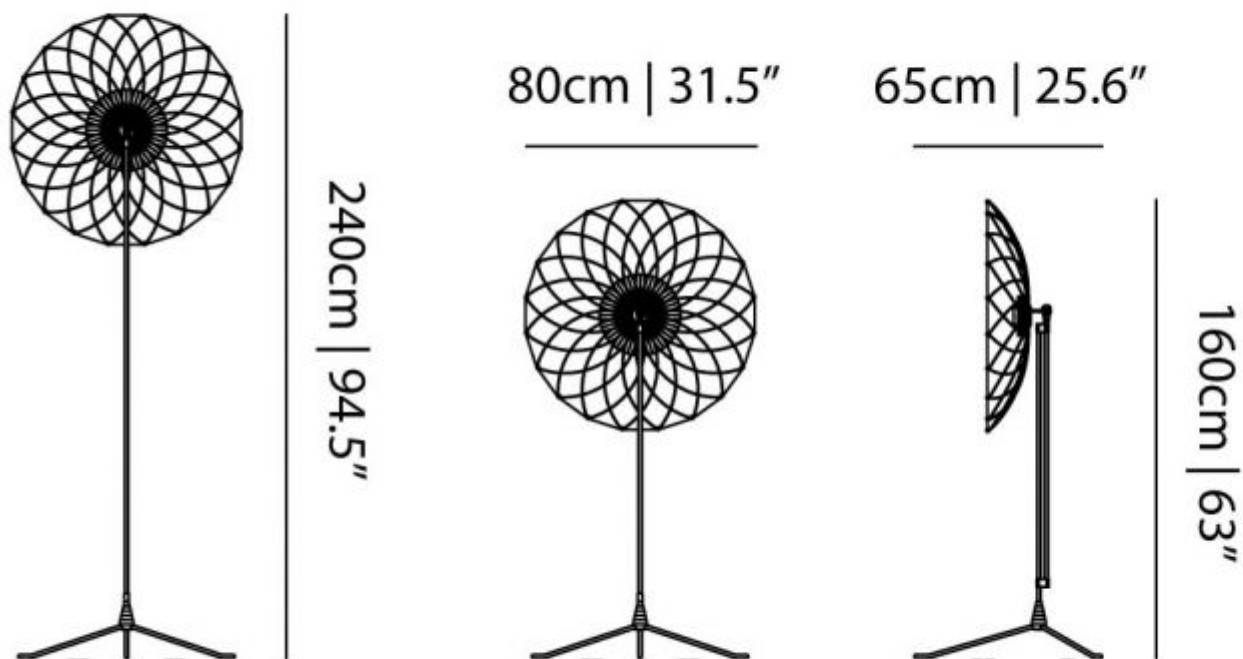
Power supply



Flat power supply with integrated dimmer

m o o o i[®]

dimensions



packaging

H 172 cm | 67,7"
W 87 cm | 34,3"
D 69 cm | 27,2"

Colli 1/1

Product weight:
17 KG | 37,5 lb

With packaging:
19 KG | 41,9 lb