

FLOS

Kelvin Edge Base, Chrome - Specification Sheet by Antonio Citterio, 2015

| | |
|-------------------------|---|
| Mounting | Table Top |
| Lamp (Bulb) Description | EDGE LIGHTING 2700/3200K 306lm CRI90 7W |
| Environment | Indoor - Dry Location |
| Finish | Chrome |

Technical and Product Description The newest addition to the popular Kelvin LED family, the Kelvin Edge offers the innovation and sleek design of the collection in a smaller package – without sacrificing output. Featuring the exclusive Edge Lighting Technology™ from which it takes its name, this table lamp combines efficiency with light intensity and emission magnitude to create the balanced, brilliant glow you'd expect from a much larger light.

The Kelvin Edge features an aluminum painted or chromed body with die-cast head, joints, and forks, and extruded arms. Its diffuser's perimeter is photoengraved polycarbonate (PC) and aluminate. It offers direct light via innovative Edge Lighting Technology™ and the optical switch sensor on the lamp's head provides a three-step dimming function and color temperature adjustment at 2700K or 3200K. The power cord measures 150 cm, and the plug-in power supply includes interchangeable plugs.

Inspiration behind the design:

Blending an industrial style with the latest technology, the Kelvin Edge proves that "petite" can be unexpectedly powerful. "Products are ever more surprising from a technical standpoint as their size gets smaller and smaller," says designer Antonio Citterio. "Through highly sophisticated work of miniaturization on the details, [this design] is increasingly aligned with the evolution of aesthetic perception in our time."

Electrical

| | |
|-----------|--|
| Voltage | 100-240V |
| Switching | Optical switch sensor placed on the head |
| IP Rating | IP20 |

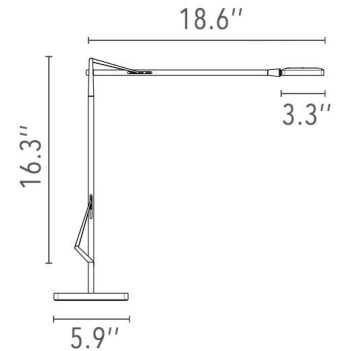
Physical

| | |
|-----------------------|---|
| Cord Length (inches) | 68.50 |
| Construction Material | Aluminium painted or chromed body, with die cast head, joints and forks, and extruded arms. |
| Weight | 6.6 |



F3452057 Chrome

Dimensional Image



Certifications

