

m o o o i

## Charleston Sofa

MARCEL WANDERS STUDIO



The beauty of iconic pieces needs to be turned around, played with, and challenged in innovative ways to reach new levels of inventiveness and seduction! Charleston by Marcel Wanders is a classic sofa, elegant and comfortable, dressed in stylish black leather with embroidered accents, that has been shifted into a vertical posture. Its grace becomes slender and elongated, tall and majestic, while it plays with our mindset and expectations. The traditional armrest becomes a very comfortable seat for one or two people. Certainly an eye catcher, Charleston is also a cozy companion that literally turns the corner to open a new world of possibilities!

---

### *Detailing*



The sofa material is upholstered with Dark Brown Skai allowing a vintage, warm impression for any setting.

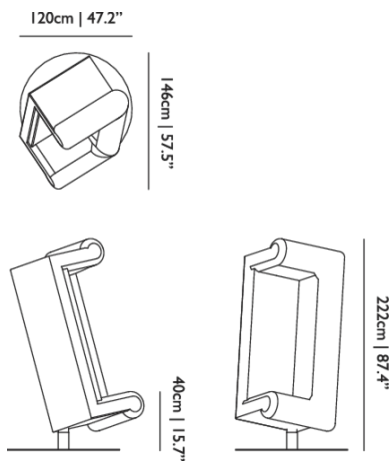
---

### *Colours*

Brown

# Charleston Sofa / Charleston, sofa

## Dimensions



## Product

**WIDTH** 120cm | 47.2"  
**HEIGHT** 222cm | 87.4"  
**DEPTH** 146cm | 57.5"

## Packaging

**WIDTH** 1cm | 0.4"  
**HEIGHT** 1cm | 0.4"  
**CUBAGE** 2.65m<sup>3</sup> | 93.58ft<sup>3</sup>  
**LENGTH** 1cm | 0.4"  
**WEIGHT** 170kg | 374.79lbs

## Technical

### MATERIAL

Steel, HR foam, wood, eco leather.

**SEAT DEPTH**  
60cm | 23.6"

**SEAT HEIGHT**  
40cm | 15.7"

**SEAT WIDTH**  
60cm | 23.6"