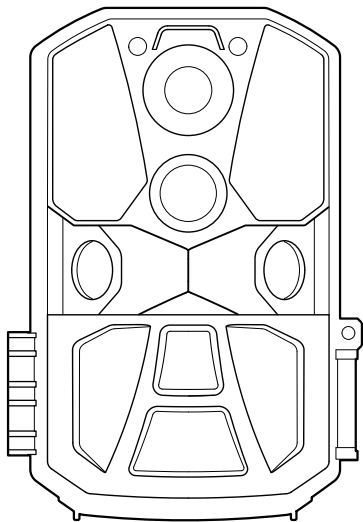


CEYOMUR

TRAIL CAMERA

User Manual



EN

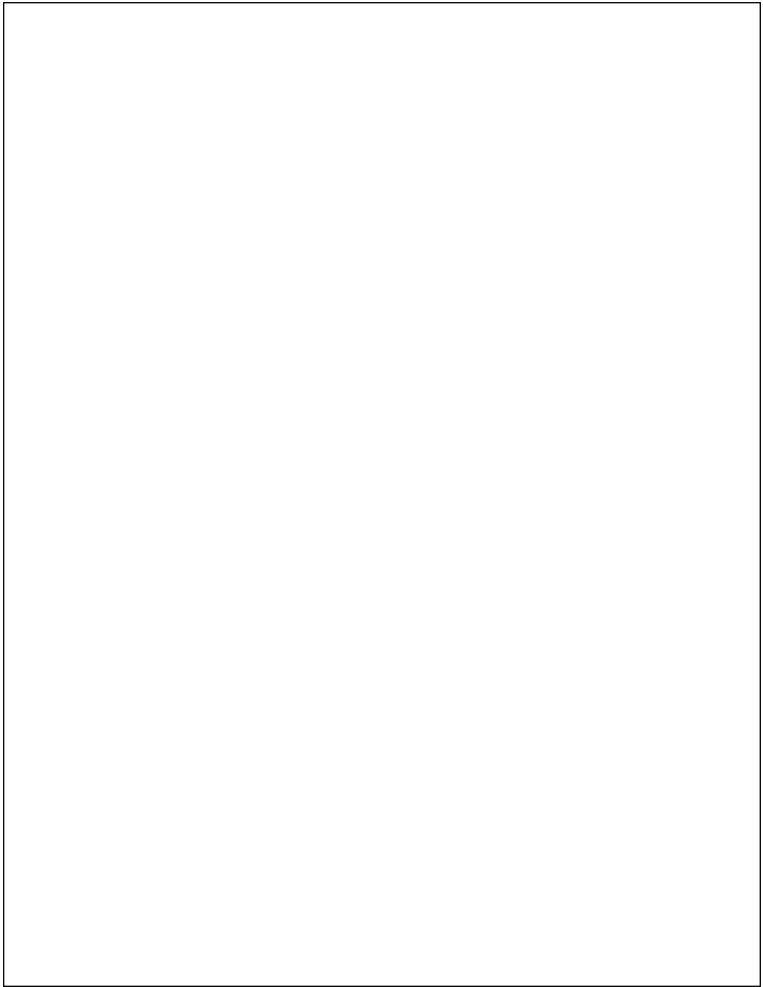
DE

FR

IT

ES

CY65



Menu

| | | |
|-----------|---------------|----|
| EN | English..... | 1 |
| DE | Deutsch..... | 20 |
| FR | Français..... | 39 |
| IT | Italiano..... | 58 |
| ES | Español..... | 77 |

Product Introduction

EN

| | |
|--|-----------|
| IMPORTANT NOTE | 2 |
| CAMERA OVERVIEW | 3 |
| Front View | 3 |
| Bottom View | 4 |
| APP INSTALLATION | 5 |
| QUICK START INSTRUCTION | 5 |
| Install the Batteries | 6 |
| Insert the SD card | 7 |
| Run Quick Start..... | 7 |
| Mounting with a Strap/Wall Mount | 11 |
| Simple Instructions on APP | 12 |
| PRODUCT OPERATION AND MENU SETTINGS | 13 |
| Product Operation..... | 13 |
| Menu Settings..... | 14 |
| TECHNICAL SPECIFICATIONS..... | 18 |
| WARRANTY..... | 19 |

IMPORTANT NOTE

EN

THANK YOU for the purchase of your CEYOMUR Trail Camera. We appreciate your business and want to earn your trust. Please refer to the instructions in this manual to use the camera smoothly.

If your CEYOMUR Trail Camera does not seem to be functioning properly or if you are having photo/video quality issues, please feel free to e-mail us, we will try our best to meet your satisfaction.

We also welcome and value each feedback and suggestions on our camera. Your objective feedback and frank opinion are the big driving force for us to move forward. It is because of each lovely client and every useful advice that we could continue to improve our products quality and meet the needs in the ever-changing market.

We are well aware services indefinitely, we will spare no effort to improve product quality and service levels in the future to give our customers more intimate shopping experience.

CEYOMUR Trail Camera Service E-mail: **Support@ceyomur.co**

Hope everything goes well in your life.

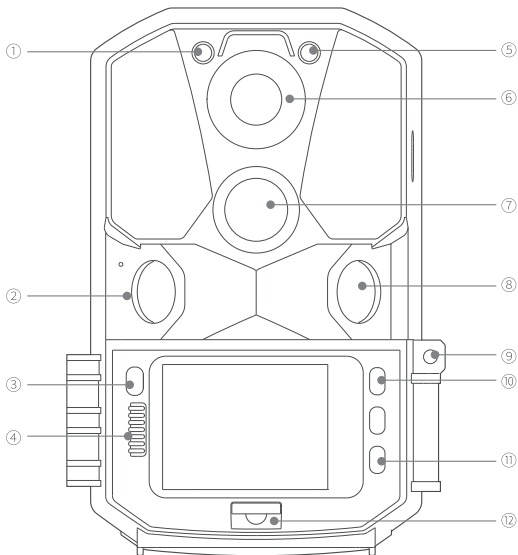
Sincerely,

CEYOMUR

CAMERA OVERVIEW

EN

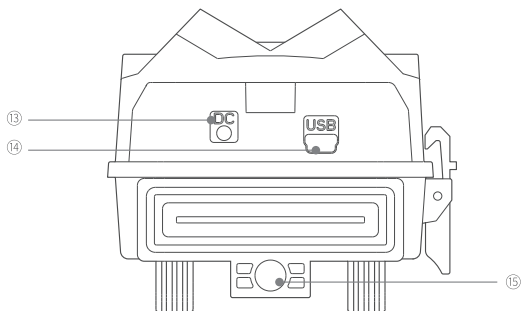
Front View



- ① Indicator Light(red)
- ② Side PIR
- ③ Replay/Menu Setting
- ④ Operating Button

- ⑤ Light Sensor
- ⑥ Lens
- ⑦ Central PIR
- ⑧ Side PIR

- ⑨ Lock Hole
- ⑩ Up/Wi-Fi
- ⑪ Down/Shooting mode
- ⑫ Battery case button

Bottom View

⑬ DC-IN port

⑭ USB PORT

⑮ Tripod socket (Quarter nut)

App INSTALLATION

EN

For Android, please search "Trail Camera Pro" from Googleplay or scan the QR code



For iOS, please search "Trail Camera Pro" from App store or scan the QR code



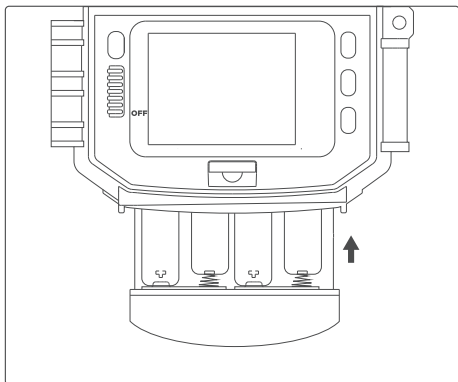
QUICK START INSTRUCTION

EN

Install the Batteries

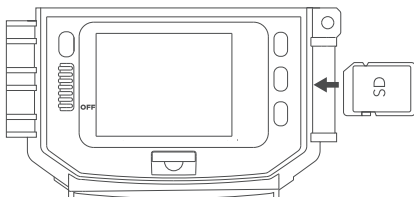
Install 8 Full AA Alkaline or Lithium batteries.

- Recommend Energizer™ batteries
- No new and old batteries.
- External power supply: 6V/2A
- DC-IN plug size: 3.5mm*1.35mm



Insert the SD Card

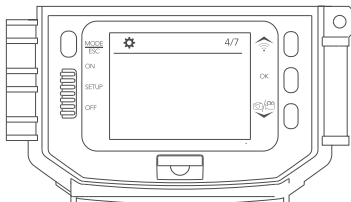
Insert the SD card (using class 6 or faster SD Cards, up to 128GB).

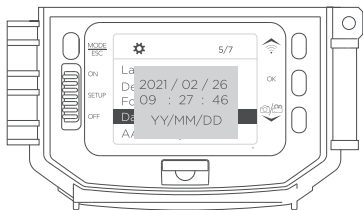
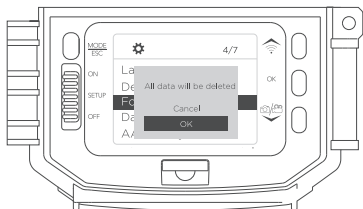


Run Quick Start

Switch to SETUP → Screen lights up

【Choose your Language】



【Set your clock】**【Format your SD card】**

Hint: Please confirm to format the SD card before using the camera.

【Turn on the camera】

Switch to ON → Indicator light flashes red light in several seconds → Screen turns black (Camera is working!)

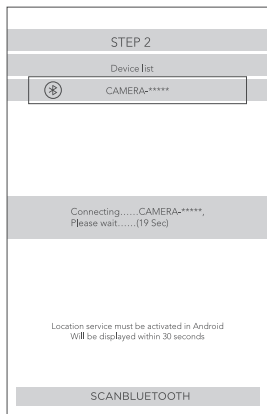
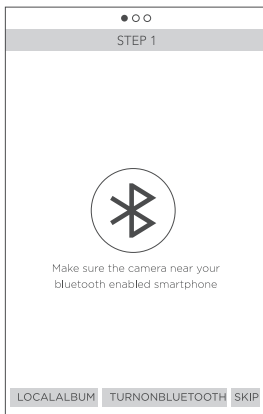
【Open“Trail Camera Pro”APP】

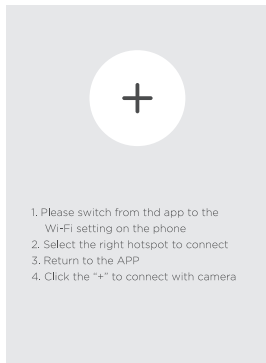
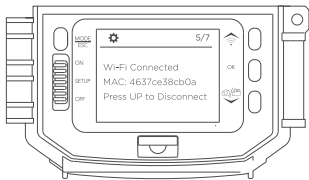
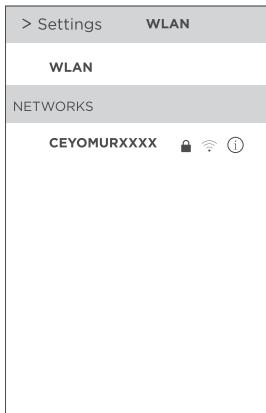
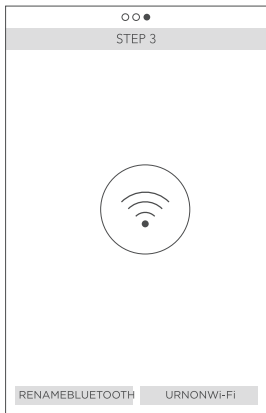
Click “TURN ON BLUETOOTH” on app → Choose Bluetooth “CAMERA-XXX” from device list → Click “TURN ON WIFI” on app → Connect WIFI “CEYOMURXXXXXX” on your phone → Click “+” connect the camera with your phone

Original Wi-Fi:CEYOMURXXXX

Original Wi-Fi Password:12345678

Hint: When connect the camera with Wi-Fi, the date and time will be synchronized with your phone.





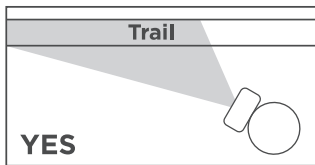
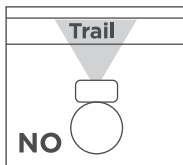
Mounting with a Strap/Wall Mount

Place camera on a tree or pole approximately 3-6 ft. high.

Hint: If you are mounting a camera to cover a trail, face the camera down the trail tilted at a slight downward angle.

Face the camera North or South to avoid overexposure from the sun.

Clear brush away from the camera front to avoid false triggers from the wind.



Simple Instructions on APP

Place camera on a tree or pole approximately 3-6 ft. high.

Hint: If you are mounting a camera to cover a trail, face the camera down the trail tilted at a slight downward angle.

Face the camera North or South to avoid overexposure from the sun.

Clear brush away from the camera front to avoid false triggers from the wind.

Simple Instructions on APP

Change mode



Change the shooting mode, Video/Photo.

View photos and videos



Choose the photos and videos to check.

Hint: Need to download photos and videos.

Setting cameras



You could finish the settings here for the camera.

Complete shooting



Click here, the camera will take a photo or a video.

PRODUCT OPERATION AND MENU SETTINGS

EN

Product Operation

- OFF/ON/TEST Mode

The CEYOMUR trail camera has three basic operational modes:
OFF/ON/TEST

- OFF MODE

Button in the OFF position

The camera is completely switched off

- ON MODE

Power switch in the ON position

ON Mode is working mode. The LCD screen will turn black after 5 seconds count-down. You can't set the camera under this mode

- TEST MODE

Power switch in the TEST position (LCD screen is on)

Adjust settings and replay photos photos and videos

Menu Settings

Please switch to **TEST** mode if you want to finish settings on camera. You could also use the APP 'Wildlife Cam Pro' to set your camera.

The Settings Menu-Parameters and Settings List (Bold=default)/Descriptions

- Mode: **Photo**, Video, Photo&Video
- Image size: 3MP; **5MP**; 8MP; 13MP; 16MP; 20MP; 30MP;
Selects resolution for still photos. Higher resolution provides more pixels, but creates larger files that take up more of the SD card capacity (fills up faster).
- Picture No.: **1 photo**-10 photos
Selects how many photos are taken per trigger in Photo mode.
- Shutter speed:1/15; 1/20; 1/30
Changing the shutter speed will change the way moving objects are recorded on the film. The faster the shutter speed, the clearer the image of the moving object will appear on the film. Conversely, the slower the shutter speed, the more blurred the moving object will be.
- Resolution: 1296P; **1080P**; 720P;480P;360P
Selects video resolution. Higher resolution produces better quality videos, but creates larger files that take up more of the SD card capacity (fills up faster). Using high speed SD cards (SanDisk® SDHC class 6 or higher) is recommended if you will use higher video settings.
- Video Length: 5sec - 180sec
- Record Audio: **On**/Off

- PIR Interval: 3 seconds-**30 seconds**; 1 minute- 59 minutes

Selects the length of time that the camera will “wait” until it responds to any additional triggers from the PIR after an animal is first detected and remains within the sensor’s range.

Caution:

PIR Interval have great influence on battery working time. The shorter the interval, the high frequency to capture target, but more power consumption; The longer the interval, the lower frequency to capture the target and less power consumption.

- PIR Sensitivity: High; Low; **Med**

- Time Lapse: On/**Off**

Turns Time Lapse recording mode on/off. When activated, this function forces the camera to take photos or videos even when it is not triggered by a nearby live target, useful for constant monitoring of an area that might be far away from the camera. This is also useful for observing cold blooded animals (e.g. snakes) or outdoor plants etc. As soon as the “On” setting has been confirmed by pressing the OK key, you could enter the interval time after which photos are to be taken.

Note:

In this mode, the PIR function would stop working, and the camera would take photos in the setting interval time.

- IR LED: **AUTO**/Economy/OFF

Adjust the brightness of the IR LED lights.

- Low Bat Night Shot: **No IR LED**/No shutting

- Monitor Period: **On/Off**

Set timer to "On" if camera should only be active within a certain time. Once "On" has been confirmed with the OK key, the start and end time can be set. If the start time is, for instance set to 18:35 and the end time is 8:25, the camera will be operational from 6:35pm of the current day until 8:25 am of the following day. The camera will not be triggered and will not take any photos when the time is not included in this period.

- Side PIR Setup: **On/Off**

Turn on the side PIR will speed up the shooting.

- Language

- Default Settings: **Cancel/OK**

- Format

- Date/time

- Time Format: **24H/12H**

- Date stamp: **On/Off**

- Beep Sound: **On/Off**

- Camera name: Only 12 words(letters&numbers)

- Password setting: 4 letters/numbers Universal password: OPEN

- Bluetooth: **On/Off**

- Wi-Fi SSID

Use to modify the Wi-Fi name of the camera

- Wi-Fi Password

Use to modify the Wi-Fi password of the camera

- Auto Wi-Fi Off: **1 minute**-3 minutes

- Auto Power Off: **3** 5 10 minutes

The camera will auto power off without operating on test mode.

- Backlight: **1** minute/3 minutes/5 minutes/Off

Set the camera screen to turn black auto

- Version

Displays current firmware version for reference.

TECHNICAL SPECIFICATIONS

EN

| | |
|---------------------|--|
| Image Size | Default 5MP; Max. 30MP, JPEG |
| Video | AVI; 30FPS, 1296P/1080P/720P/480P/360P |
| Lens | f=4.3mm F/NO=2.0; FOV=88° |
| Storage | SD card, maximum capacity 128GB (over class 6) |
| Trigger time | 0.2s-0.4s |
| Working modes | Photo/Video/Photo+Video/Time lapse |
| Wi-Fi | 2.4-2.5 GHz 802.11 b/g/n (High-speed up to 150 Mbps) |
| Bluetooth 5.0 | 2.4GHz ISM band |
| IR Leds/PCS | 850nm/36pcs |
| PIR sensitivity | adjustable |
| PIR distance | 0-20M |
| PIR angle | 120° |
| PIR Interval | 5S-60min |
| Language | English, Français, Deutsch, Espanol, Italiano, 日本語, 简体中文 |
| Mic/Speaker | Built-in |
| Password Set | Yes, 4 Numbers or Letters, Universal Password: open |
| Time stamp | Yes |
| Temperature Monitor | Yes |
| Time switch | Yes |
| Continuous shooting | Yes, photo series max to 10 photos |
| Working voltage | 8 1.5V AA batteries/DC adaptor 6V-2.0A |
| Working temperature | -20°-60° |
| Standby time | Approx 6 months (8 1.5V AA batteries) |
| Tripod interface | Quarter nut |
| Waterproof level | IP66 |
| Dimension | 140(L) X 96(W) X 78(H)mm |
| Weight | 321g (batteries excluded) |

WARRANTY

EN

All CEYOMUR Trail Camera carries a 12-month warranty from purchase date.

Please contact us via email to activate your 1-year warranty.

Please also feel free to let us know what we could do to assist you if you have any problems about the game camera.

CEYOMUR CUSTOMER SERVICE E-MAIL ADDRESSES:

Contact: **Support@ceyomur.co**