



Installation Instructions



For full manual & set up video,
scan here or visit: lightpathled.com/pages/manual





Parts List



Left and right
Bracket: 2pcs



Square bracket: 2pcs



Central Board: 1pc



Thick
Telescope
tube: 1pc



Thin
Telescope
tube: 1pc



Horizontal
Tube: 1pc



Wheels: 4pcs



"U" shape Piece: 2pcs



Adaptor: 1pc



M8*65 Screw: 4pcs



M8*60 Screw: 4pcs



M8*30 Screw: 4pcs



M6*16 Screw: 9pcs



M6 star screw: 4pcs



M6 washer: 13pcs



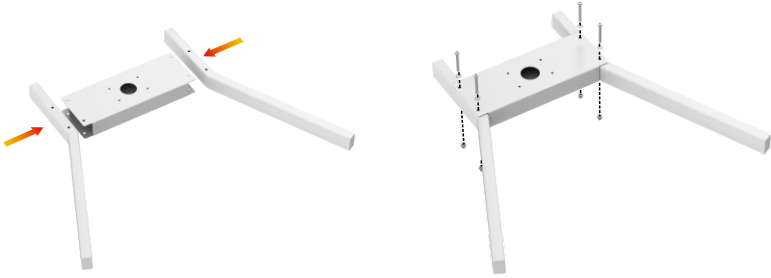
M8 washer: 20pcs



M8 nut screw: 8pcs

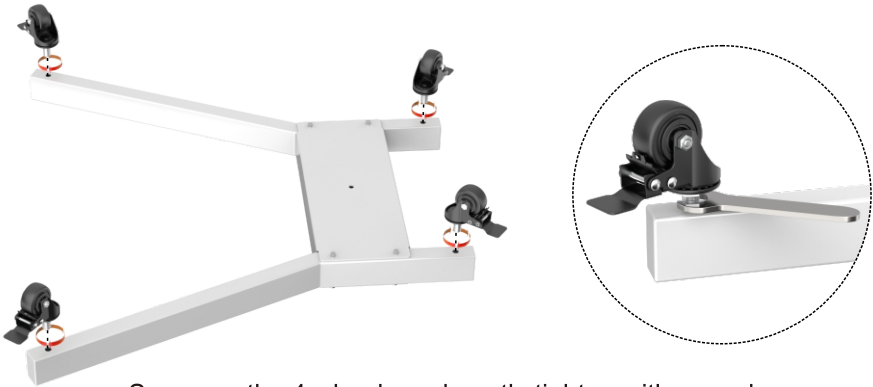


Step 1:



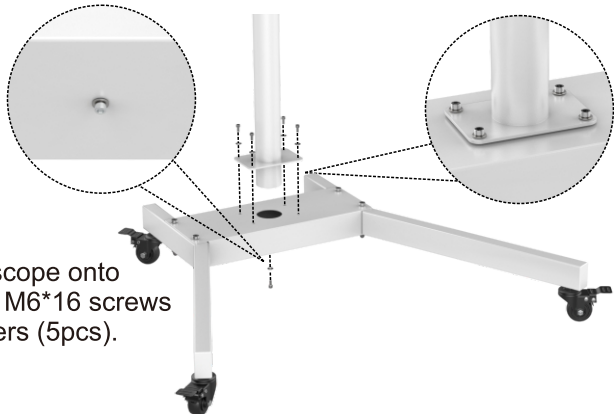
Attach left and right brackets to center piece using M8*65 screws (4pcs). Place the M8 washers (8pcs) on the head side and then tail side of screw before adding the M8 nuts (4pcs).

Step 2:



Screw on the 4 wheels and gently tighten with wrench.

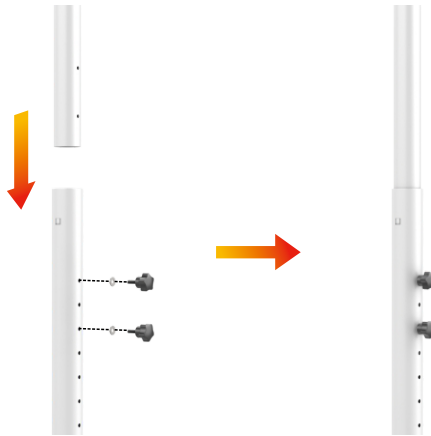
Step 3:



Attach the large telescope onto the center piece with M6*16 screws (5pcs) and M6 washers (5pcs).

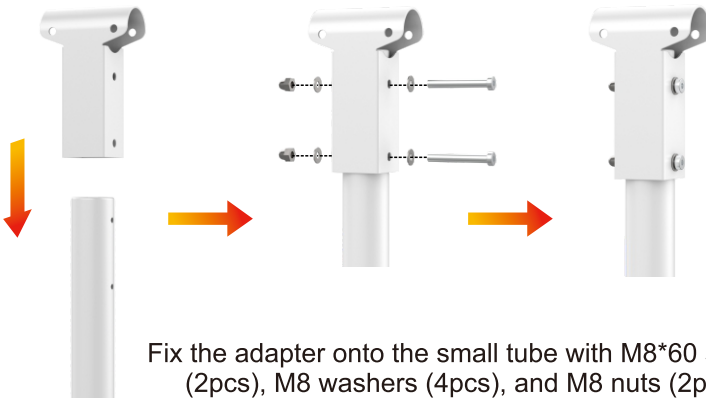


Step 4:



Insert the smaller tube inside the larger tube to correct height. Tighten the tubes with M6 Star screws (2pcs) and M6 washers (2pcs).

Step 5:



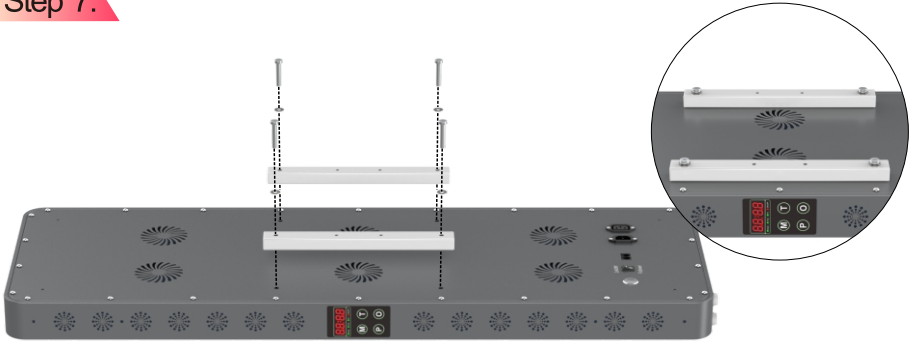
Fix the adapter onto the small tube with M8*60 screws (2pcs), M8 washers (4pcs), and M8 nuts (2pcs).

Step 6:



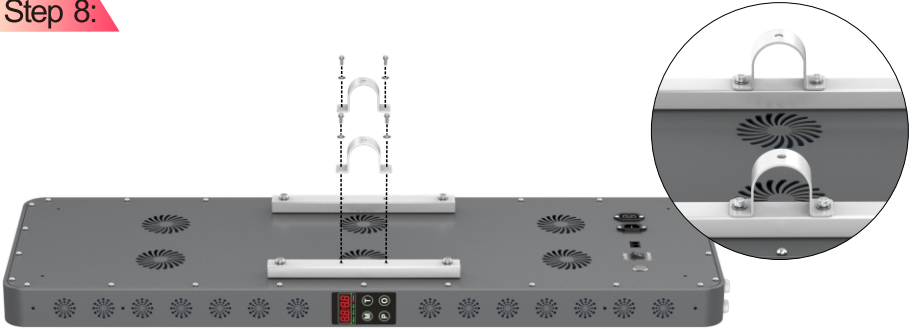
Fix horizontal tube onto the adapter with M8*60 screws (2pcs), M8 washers (4pcs), and M8 nuts (2pcs).

Step 7:



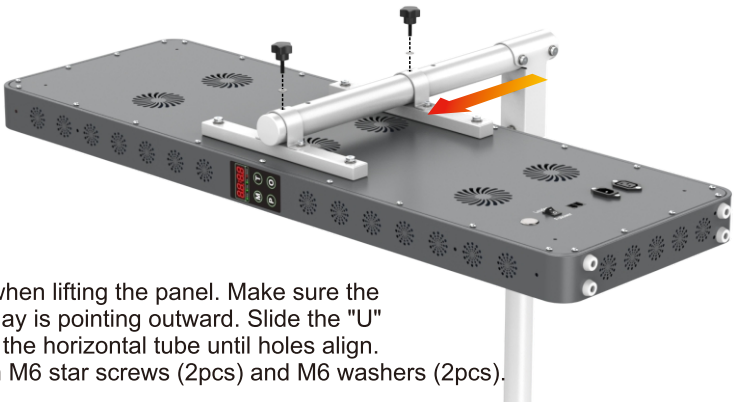
Attach the 2 square brackets onto the panel with M8*30 screws (4pcs) and M8 washers (4pcs).

Step 8:



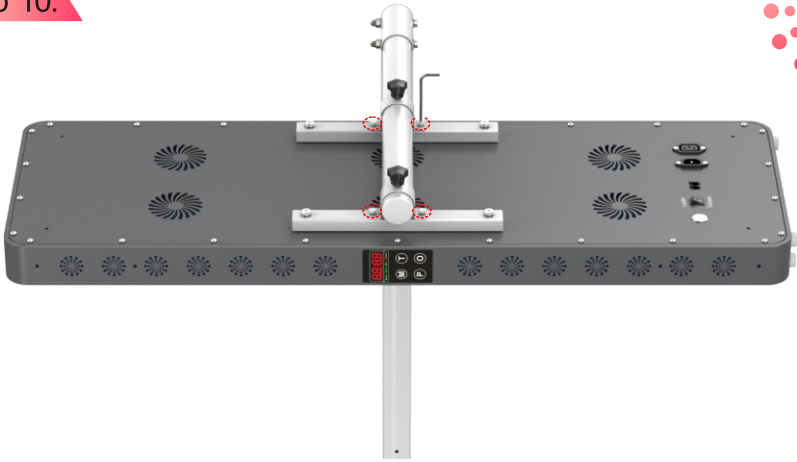
Attach the "U" shape pieces onto the brackets with M6*16 screws (4pcs) and M6 washers (4pcs). Do not fully tighten until step 10.

Step 9:



Have help when lifting the panel. Make sure the control display is pointing outward. Slide the "U" pieces over the horizontal tube until holes align. Tighten with M6 star screws (2pcs) and M6 washers (2pcs).

Step 10:



Fully tighten the 4 screws holding the "U" pieces to the square brackets.

Installation Height

Position the surface of the panel to be 12 inches above the top of your body when lying down.
When adjusting the height, always have help as the panel is heavy.

