

# ELEVATE

## RACK SYSTEM

### ELEVATE FS AND CS RACK SYSTEMS

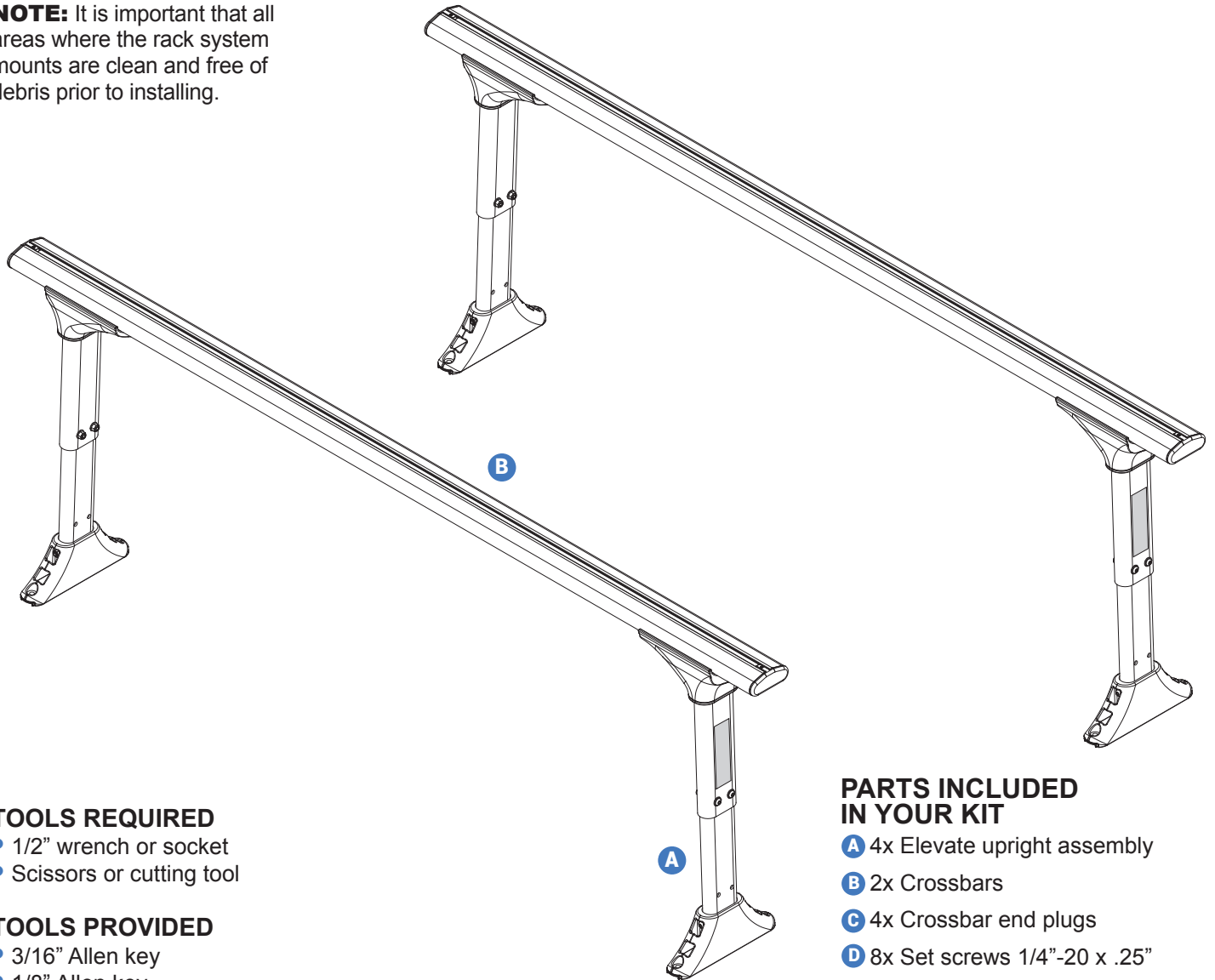
# OWNER'S MANUAL

Any damaged or missing parts?

Parts will be shipped to you directly.

Call 877-878-9336, Mon - Fri, 8:00 a.m. - 5:00 p.m. CT

**NOTE:** It is important that all areas where the rack system mounts are clean and free of debris prior to installing.



#### TOOLS REQUIRED

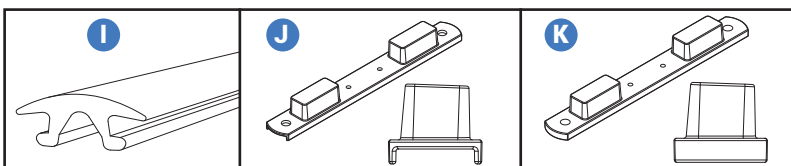
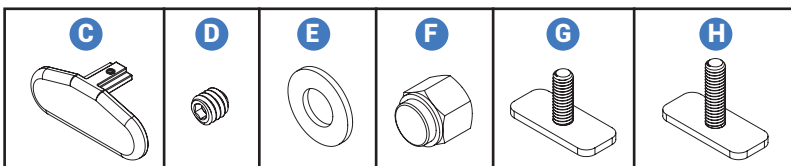
- 1/2" wrench or socket
- Scissors or cutting tool

#### TOOLS PROVIDED

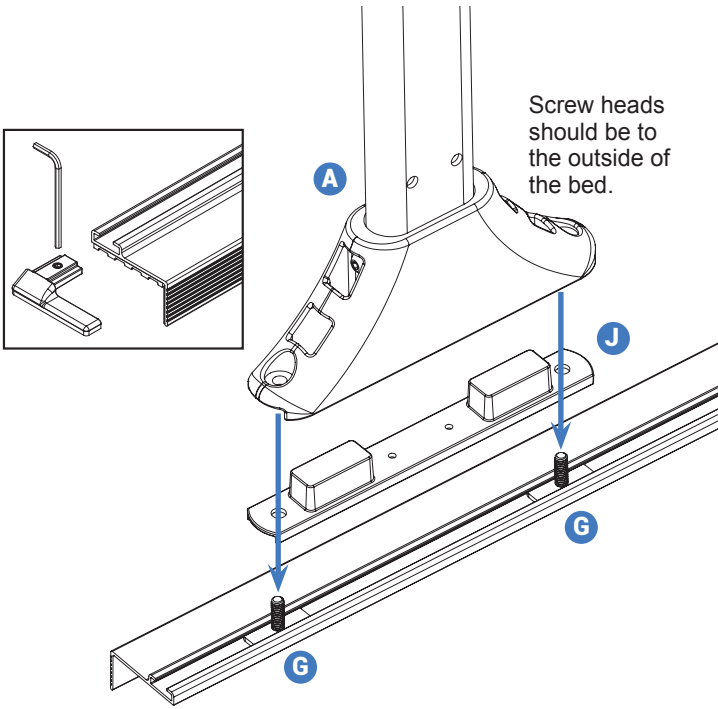
- 3/16" Allen key
- 1/8" Allen key

#### PARTS INCLUDED IN YOUR KIT

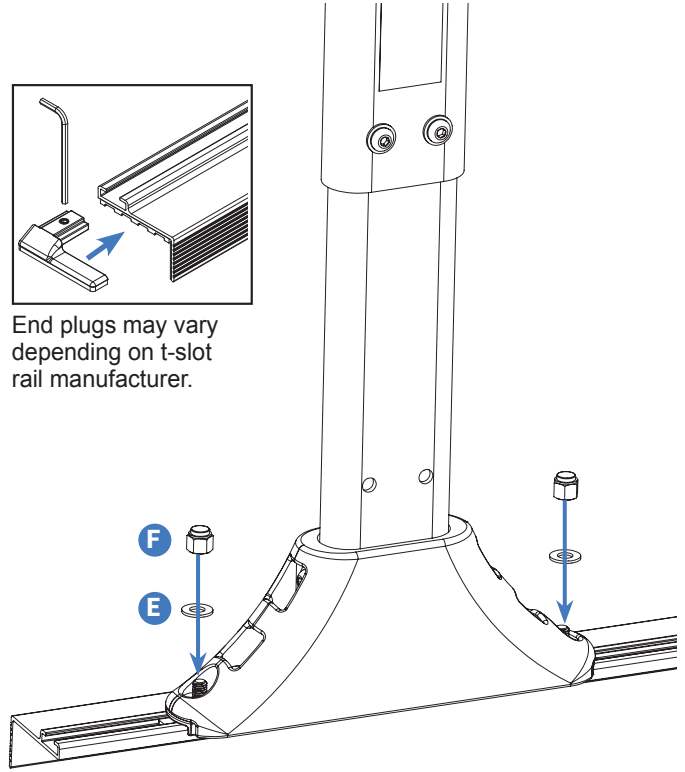
- A** 4x Elevate upright assembly
- B** 2x Crossbars
- C** 4x Crossbar end plugs
- D** 8x Set screws 1/4"-20 x .25"
- E** 16x 5/16" washers
- F** 16x Cap nuts 5/16"-18
- G** 16x T-bolts (1" bolt)
- H** 8x T-bolts (1.25" bolt)  
*Only used when installing on flat top rail system*
- I** 2x Channel guards
- J** 4x Support base inserts  
*Standard Support base insert. Used when installed with raised t-slot rails.*
- K** 4x Support base inserts  
*Flush mount Support base insert. Used on flush mount rails/covers.*



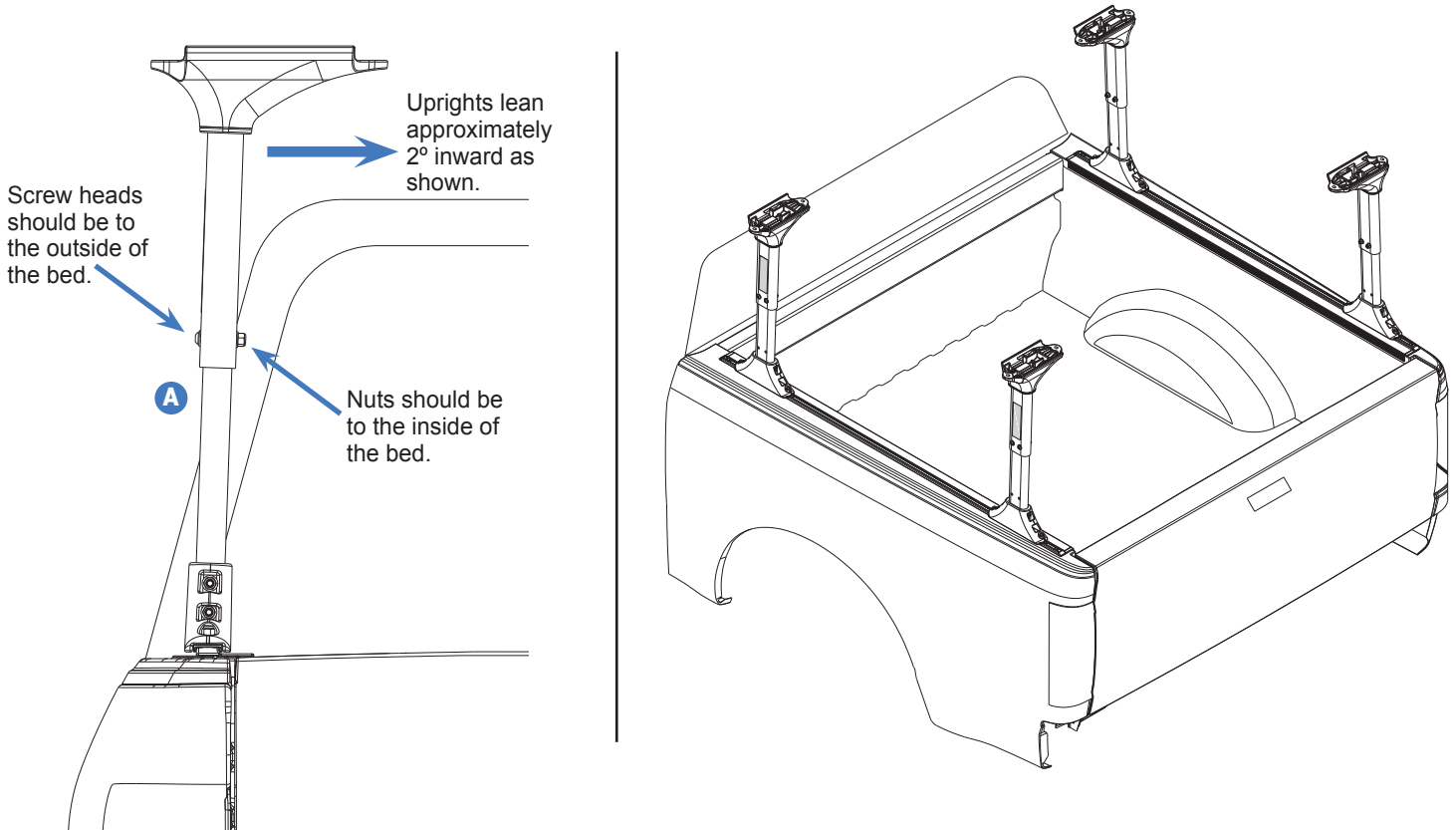
- 1** Install upright assemblies (A) onto t-slot compatible rails. Remove t-slot compatible rail end plug. Slide two T-bolts (G) into each adapter rail. Space the T-bolts (G) so they align with the holes on the base of the upright assembly (A). Place support base insert (J or K) in between the upright assembly and the rail. **Use T-bolts (H) if installing on a flush mount rail.**



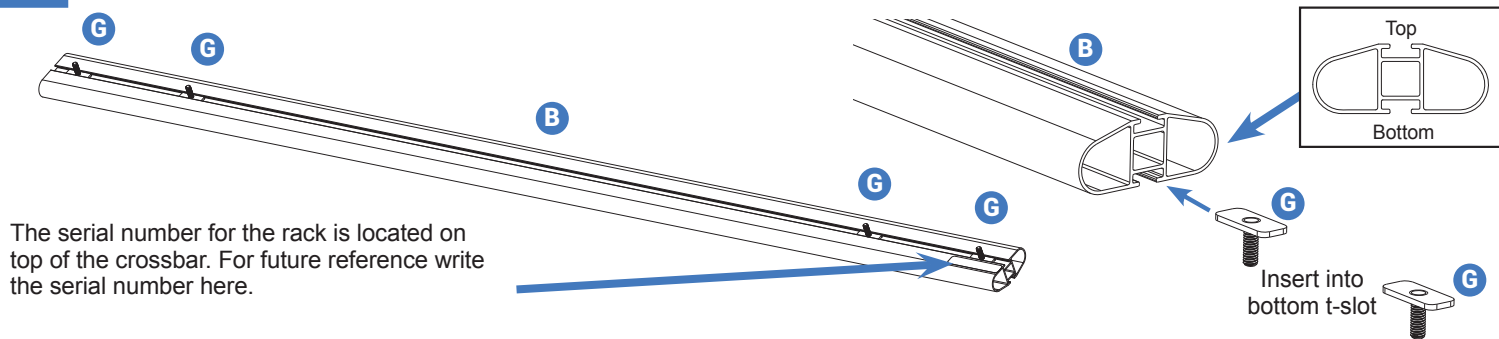
- 2** Reinstall the rail end plugs. Install washers (E) and cap nuts (F) for the upright assemblies (A). Finger tighten for now.



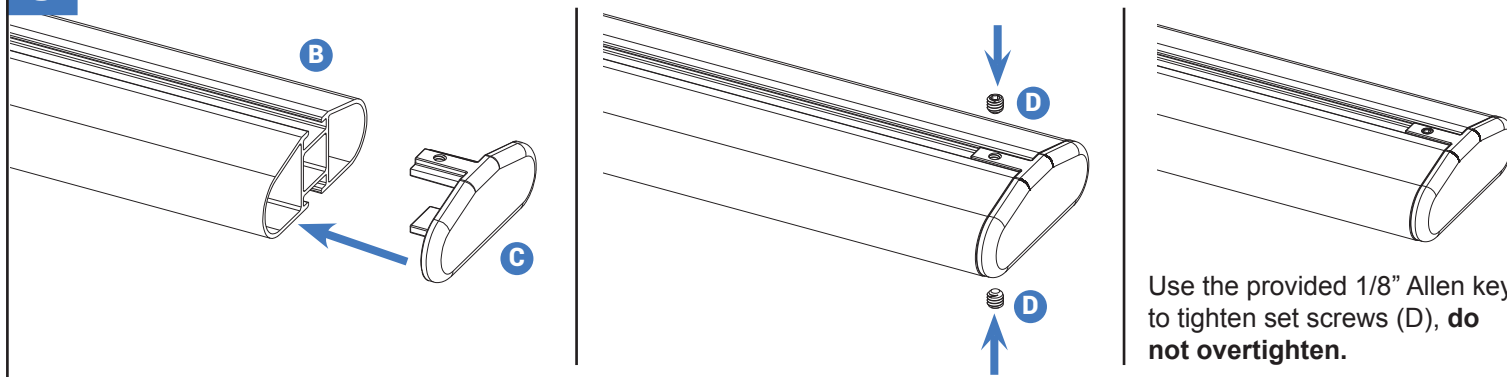
- 3** After installation is complete, upright assemblies (A) in the correct position will lean slightly to the inside of the truck bed. However, at this time they should move freely. Position upright assembly in the desired location and hand tighten the washers (E) and cap nuts (F). **Space front and rear upright assemblies as far apart as possible to support the load.**



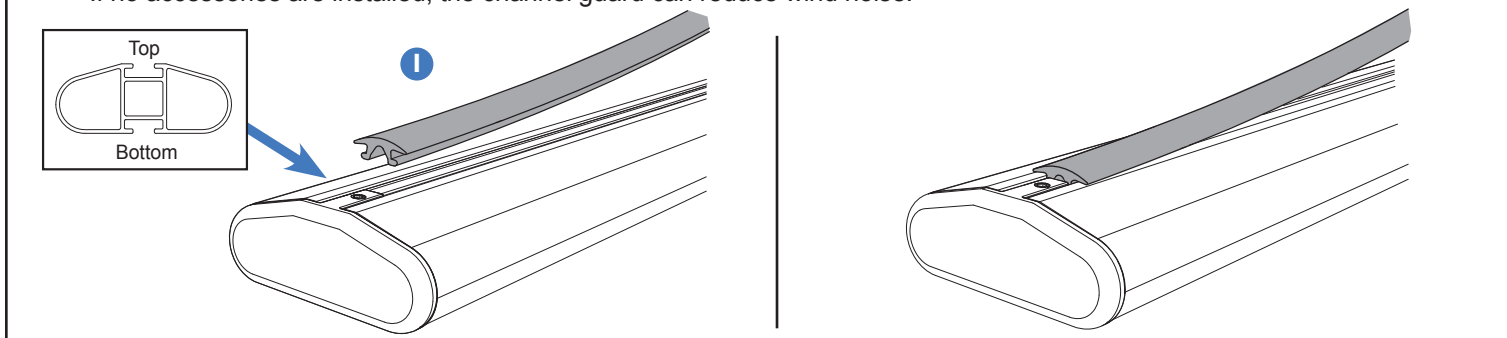
**4** Insert two T-bolts (G) into the bottom t-slot of each end of the crossbar (B). Repeat on the second crossbar.



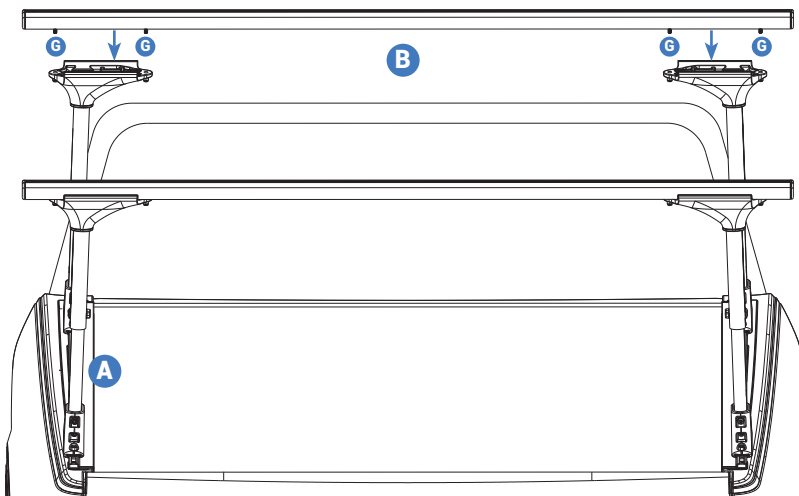
**5** Install any t-slot compatible accessories. Then install all 4 crossbar end plugs (C) with set screws (D).



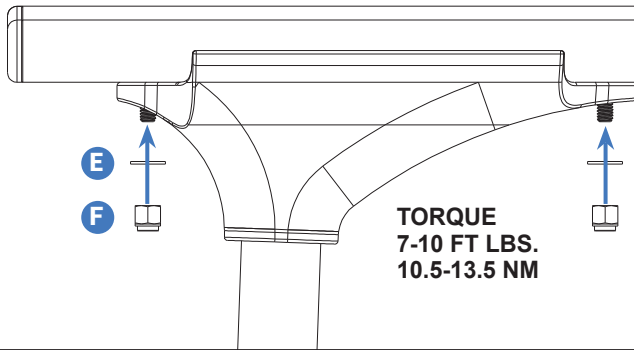
**6** Start the channel guard at one end of crossbar, once started you should be able to press the channel guard down the channel to the other end plug. Install channel guard (I) into the t-slot channel of both crossbars (B). Cut off any excess channel guard (I). If no accessories are installed, the channel guard can reduce wind noise.



**7** Align the T-bolts (G) with the holes in the upright assembly (A) support, carefully set the crossbar (B) down and adjust as needed. Center the crossbar (B) left to right with the two upright assemblies (A). Repeat step with other crossbar (B).

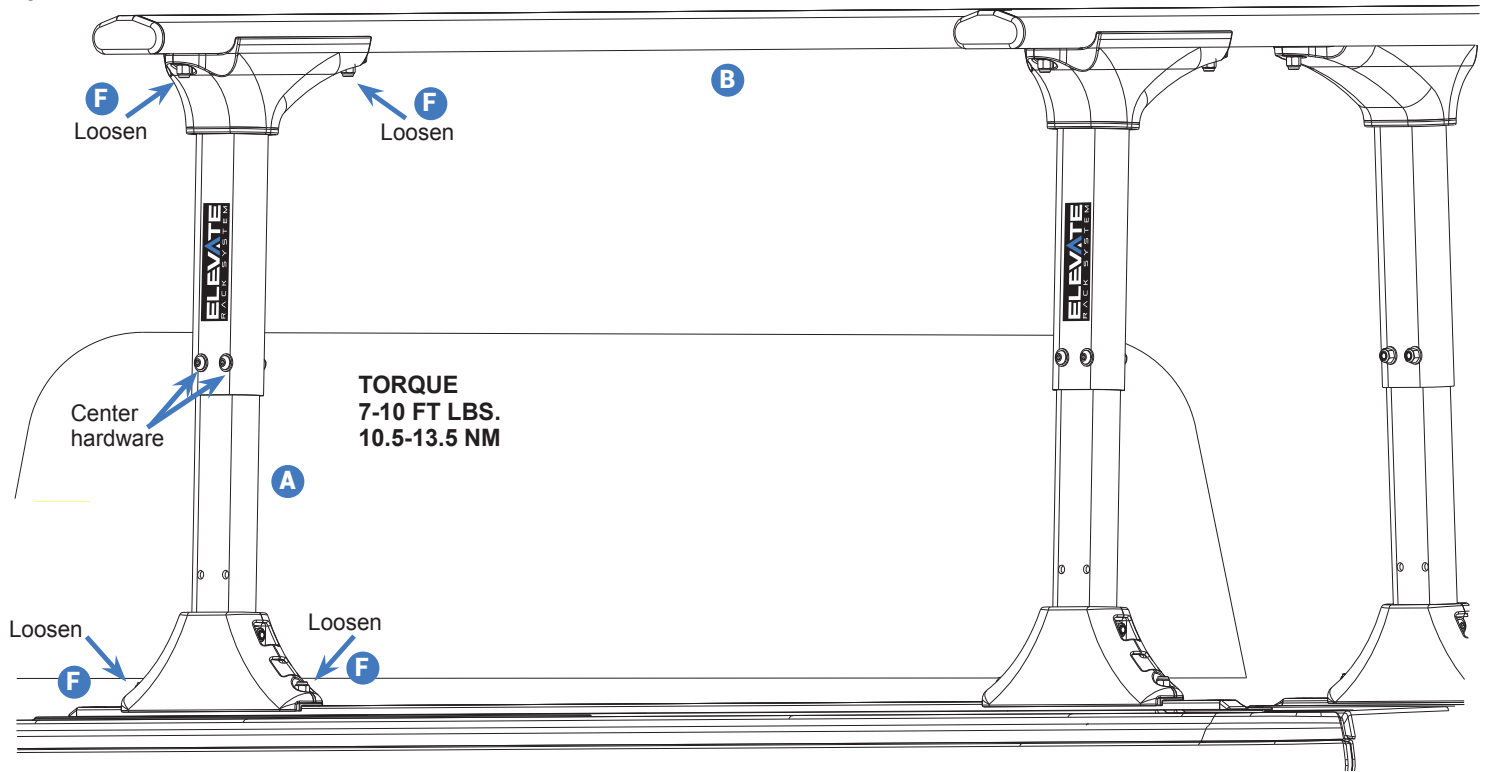


- 8** Once you have centered the crossbars (B) with the assemblies (A), use the washers (E) and cap nuts (F) to secure the crossbars (B) to the upright assemblies (A). Try to make sure the crossbars (B) move as little as possible left to right when securing the hardware. **Do not overtighten.**



### ADJUSTING AND MOVING THE ELEVATE RACK SYSTEM

To reposition the rack on the t-slot rail, loosen the four cap nuts (F) on each upright assembly (A) to assist in moving the rack. Once repositioned, retighten the nuts. **To adjust the height of the rack remove the center hardware, adjust as needed, then replace center hardware.**



### ELEVATE RACK SYSTEM GUIDELINES

- Review all instructions, guidelines, and warranty information before installing or using the Elevate Rack System.
- Contact your dealer with any questions regarding proper operations of the Elevate Rack System.
- Check state and local laws for compliance with oversized loads.
- Adapt speed and care of the vehicle to the load being carried.
- Be conscious of load weight, a high center of gravity is a rollover risk.
- All loads change the vehicle's driving behavior and responsiveness.
- Do not use the Elevate Rack System for anything other than its intended purpose.
- Do not exceed the maximum load capacity (load capacity does change by terrain).
- Do not drive without rack properly installed and fasteners torqued to specification.
- Know the overall height of every load. Be vigilant of low clearances.
- Remove Elevate Rack System before entering automatic car washes.
- Do not use Elevate Rack System if any parts are worn, missing, or broken.

**Any questions call 1-877-878-9336**

# LIMITED LIFETIME WARRANTY

This product carries a limited lifetime warranty for the benefit of the original purchaser. This warranty terminates when the original purchaser sells or otherwise transfers the product to any other person. Proof of purchase may be required to enforce these warranty rights.

Subject to the limitations and exclusions described herein as well as the manufacturer's inspection of the product, the manufacturer will remedy any defects in materials and/or workmanship by either making the necessary repairs, replacing the product, refunding the purchase price paid for the product, substituting a newer model or product having similar form and function, offering a warranty discount on an entire replacement system, and/or providing remedies other than those mentioned herein at the manufacturer's sole discretion.

This warranty does not cover problems caused by normal wear and tear (including, but not limited to, scratches, dents, tears, or aesthetic oxidation of surfaces, or natural breakdown of colors and materials over extended time and use), commercial use, accidents, unlawful vehicle operation, failure to follow the care instructions, or modifications or repairs not performed or authorized by the manufacturer. In addition, this warranty does not cover problems resulting from conditions beyond the manufacturer's control including, but not limited to, theft, misuse, overloading, or failure to assemble, mount or use the product in accordance with its written instructions or guidelines included with the product or made available to the original purchaser. This warranty does not cover any damage to products transported using this product or products used in conjunction with this product.

If a product is believed to be defective, the original purchaser must obtain a Return Material Authorization (RMA) number must from our Customer Service Department by calling 877-878-9336 prior to returning any product. We may require the original item to be returned postage prepaid for final determination of warranty coverage. Shipping charges will apply for any repair or replacement. Other than postage or shipping charges, no charge will be made for repair or replacement under this warranty.

**Disclaimer of Liability:** The manufacturer's sole liability to any purchaser is limited to the remedies set forth above. Damage to a purchaser's property or other person is excluded. This warranty is expressly made in lieu of any and all other warranties, express or implied, including the warranties of merchantability and fitness for a particular purpose, but excepting the warranties which are expressly provided by law. In no event will the manufacturer be liable for any lost profits, lost sales, or for any consequential, direct, indirect, incidental, special, exemplary, or punitive damages or for any other damages which were not directly and clearly caused by a defecting product.

This warranty gives you specific legal rights. As a consumer, you may also have additional rights and remedies under the laws of your jurisdiction.

## SAFETY INSTRUCTIONS

- All mounting fasteners must be securely tightened before operation.
- The Elevate Rack System does NOT increase the load rating of the vehicle.
- Caution must be taken before entering low-hanging structures.

## OWNER/USER RESPONSIBILITIES

- It is the responsibility of the owner/user to read this manual and comply with the operating procedures. The owner/user is also responsible for inspecting the Elevate Rack System, and for having parts repaired or replaced when worn or damaged.
- Failure to follow safety instructions and warning labels could result in failure of your Elevate Rack System and/or personal injury.

## CARE & MAINTENANCE

The Elevate Rack System can be hand washed with soap and water. **Remove the Elevate Rack System before entering an automatic car wash.**

## ELEVATE RACK SYSTEM LOAD RATING

Rack System is rated for 750 lbs. static weight capacity (max. load in a fixed or stationary position), 500 lbs. on-road weight capacity, 250 lbs. off-road weight capacity.

## WARRANTY REGISTRATION

Warranty registration must be on file and/or proof of original purchase (detailed and dated receipt) required for warranty to be effective.

Register online at <https://truxedo.com/warranty>

REGISTER  
YOUR  
WARRANTY  
ONLINE

