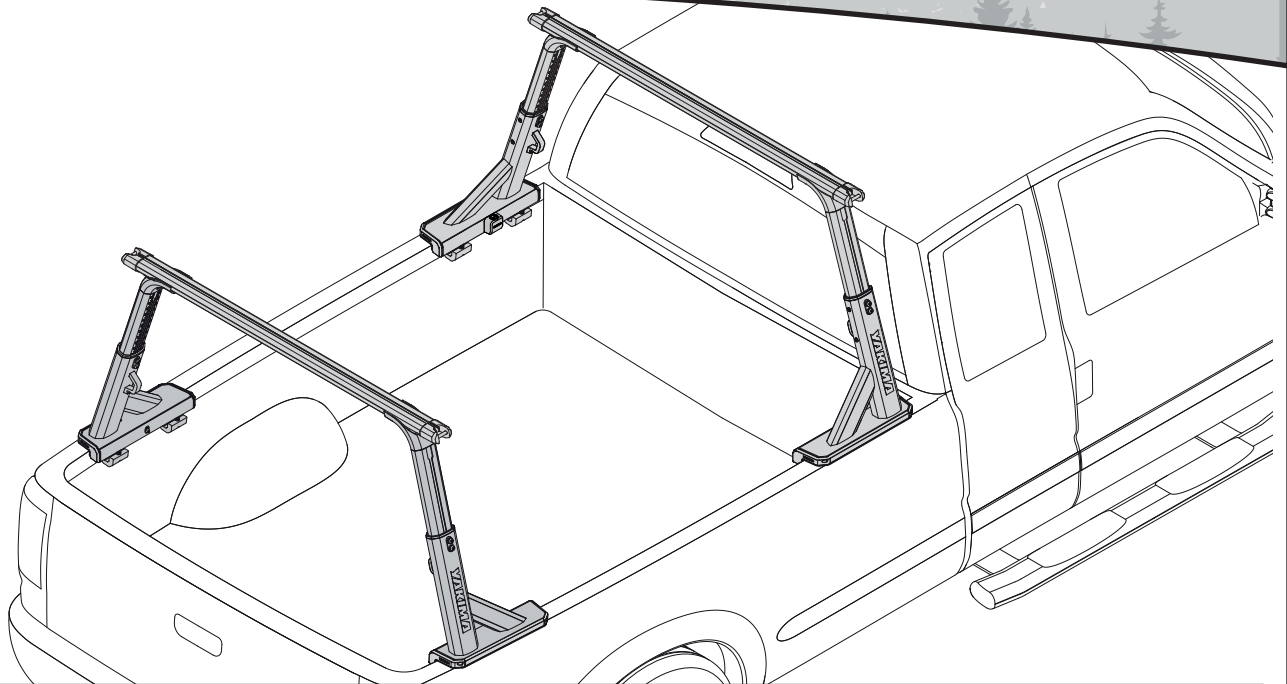
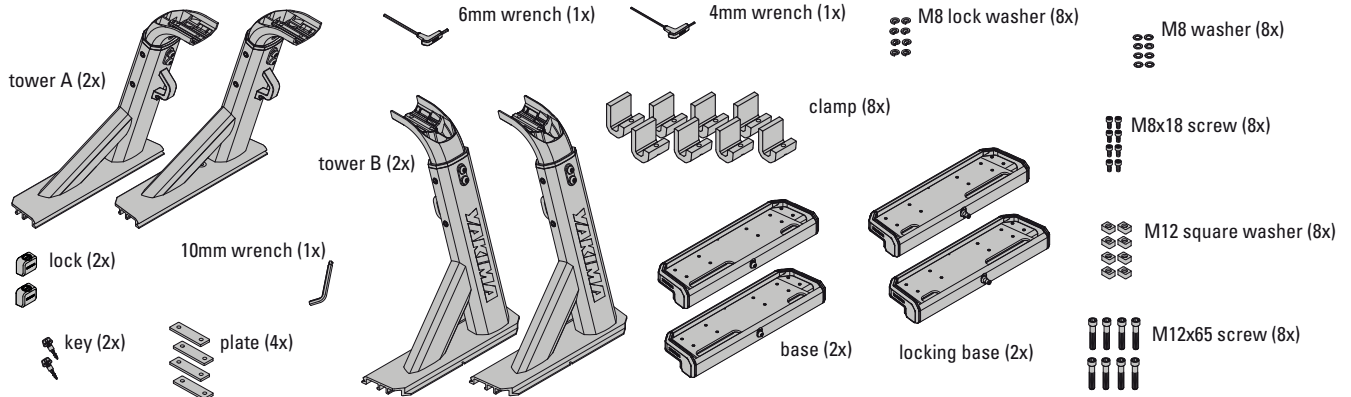


# YAKIMA

# OverHaul HD



### Contents



### Load capacity

On-road: 500 lbs (227 kg) Off-road 300 lbs (136 kg) Static load 800 lbs (363 kg)

### Available accessories



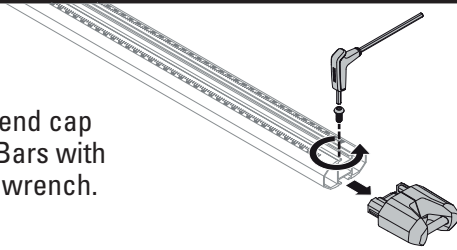
\*Rotopax mount sold separately

TO COMPLETE THE SYSTEM YOU WILL NEED:



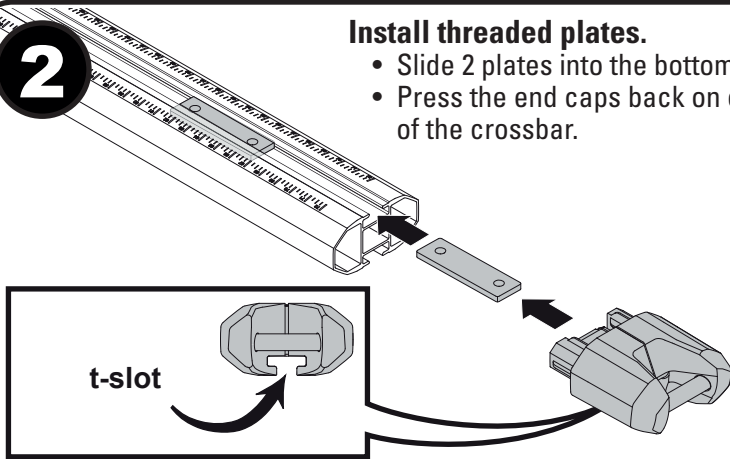
**1**

Remove one end cap from your HD Bars with the 4 mm hex wrench.

**2X****2**

### Install threaded plates.

- Slide 2 plates into the bottom of each crossbar (the side where the scale is imprinted).
- Press the end caps back on each HD Bar. Make sure the end cap's t-slot faces the top of the crossbar.

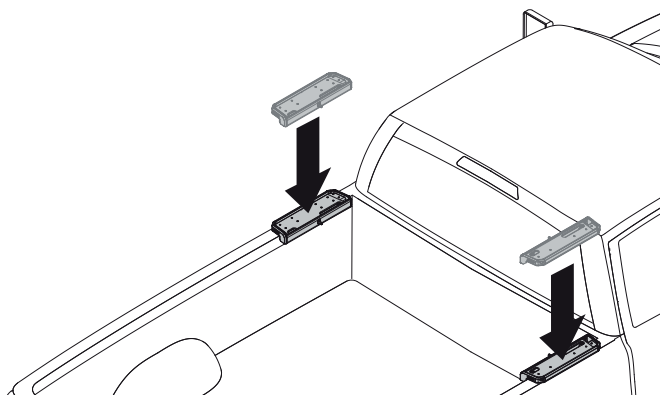
**2.5 Nm**

- Reinstall the end caps with the 4 mm hex wrench, and tighten to 2.5 Nm.

**2X****3**

### Place the front bases on your truck.

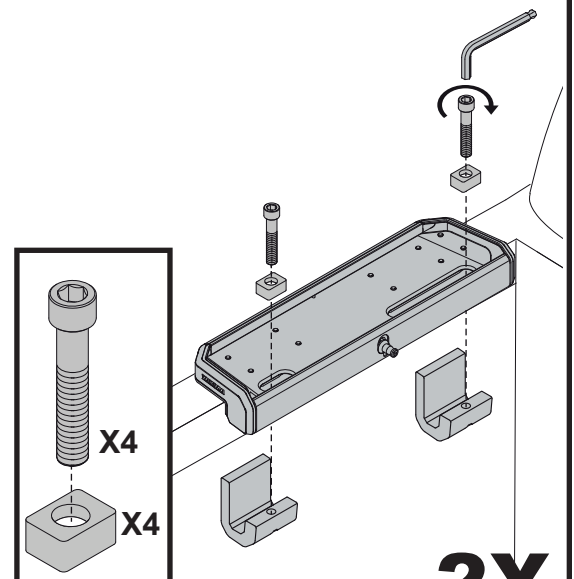
- Clean the rails before installation.
- Place a locking base on the driver side.
- Place a non-locking base on the passenger side.



**NOTE:** If installing on a truck with factory utility tracks, use our truck specific Bed Track Kits. If you have a tonneau cover with integrated tracks, use one of our manufacture specific Tonneau Kits.

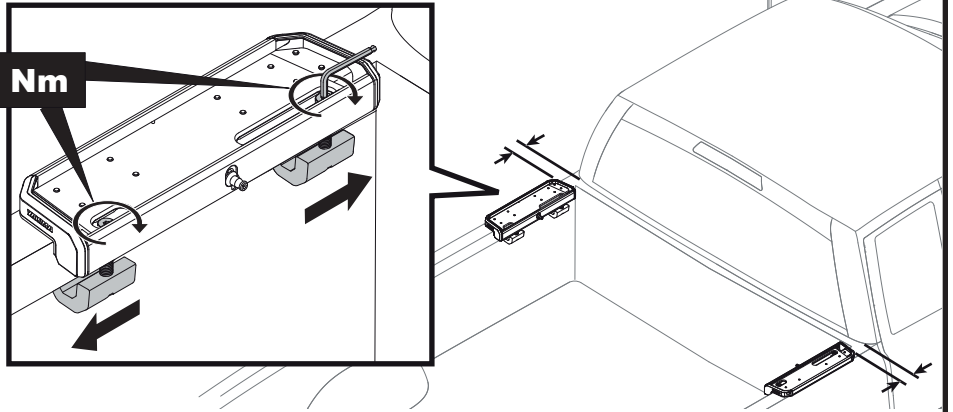
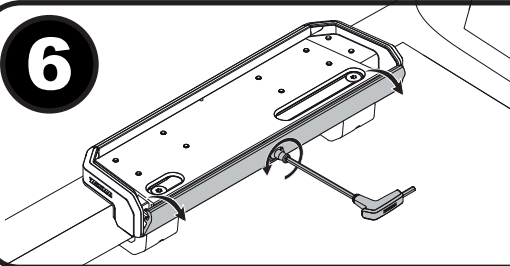
**2X****4**

**Install the clamps.** Use the 10 mm wrench to attach the clamps to the bases with M12x65 screws, and square washers. Do not fully tighten.

**2X**

**5****Measure and tighten.**

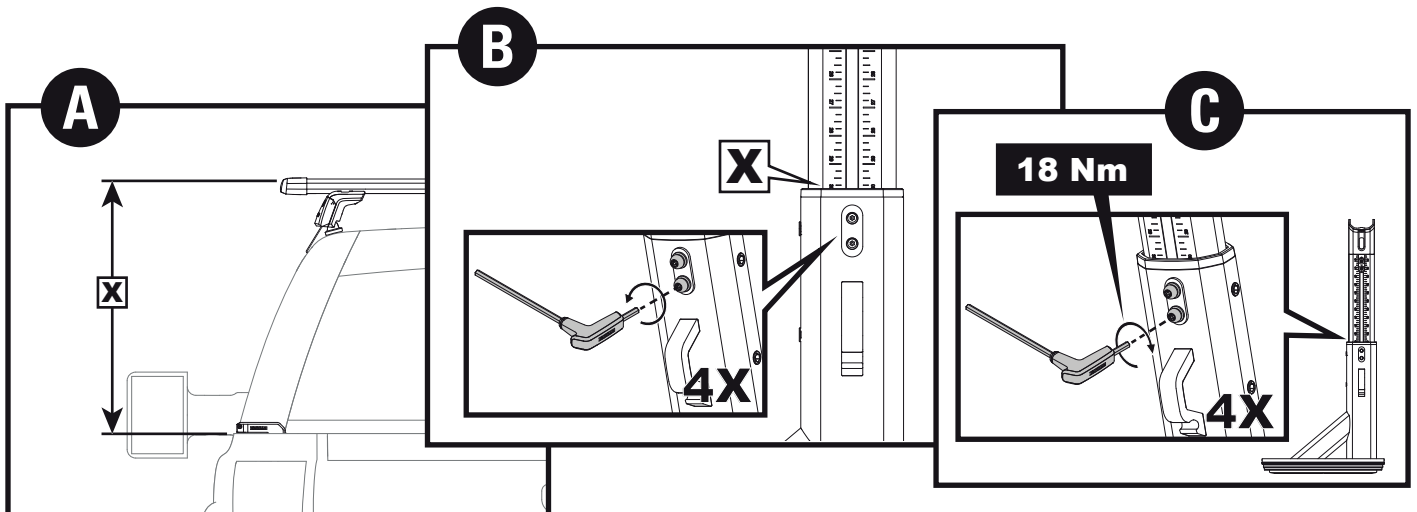
- Position the bases by measuring an equal distance on each side of the truck from the cab to the base.
- Space the clamps as wide as possible in each slot.
- Use the 10 mm hex wrench to tighten the clamp to your truck rails.

**18 Nm****6**

**Open the bases.** Use the 4 mm and 6 mm hex wrenches to loosen the spring loaded receivers.

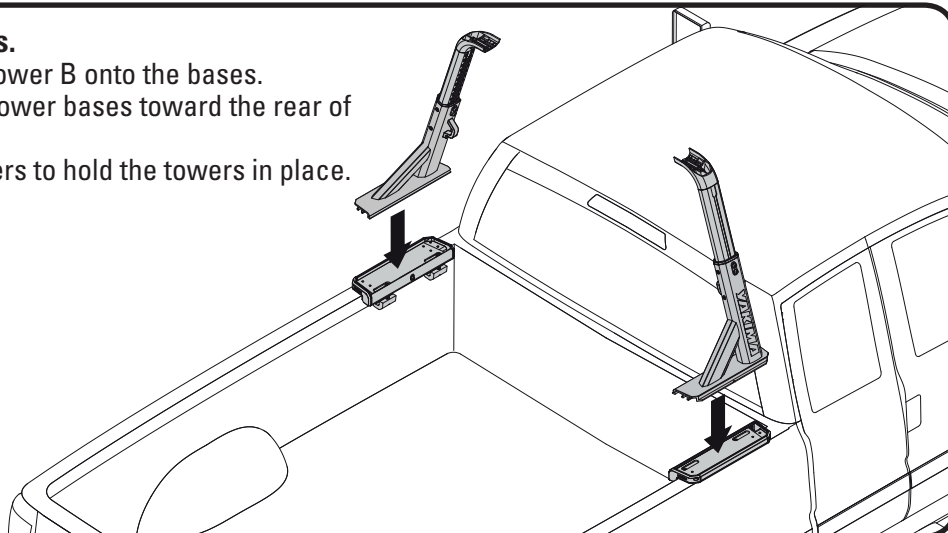
**2X****7****Set the height.**

- Measure to find your desired crossbar height. This distance (X) may be to your naked roof, or to your existing rack's crossbar.
- Loosen tower bolts then using the scale on the upright set each tower to that measurement (X) (measurements are in inches).
- Fully tighten all 4 tower bolts on each tower with the 6mm wrench to 18 Nm.

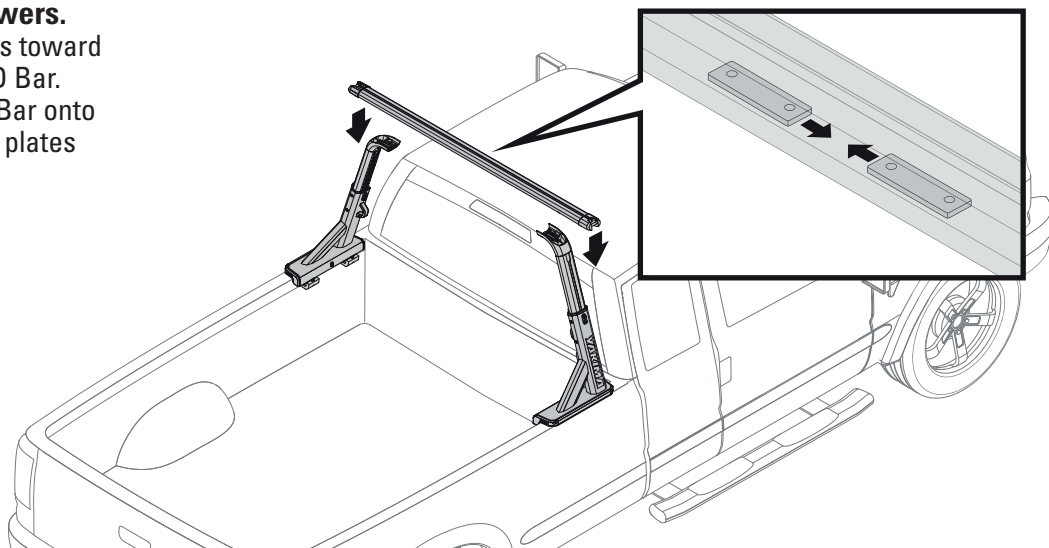
**4X**

**8****Position towers on the bases.**

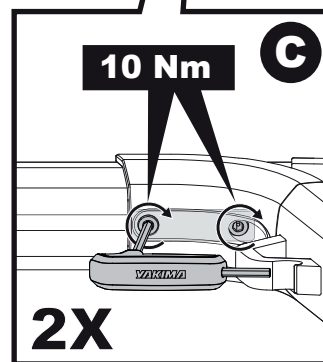
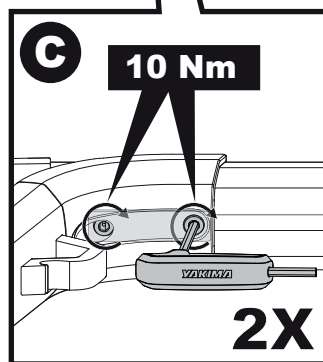
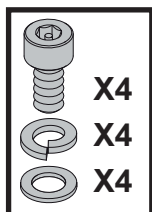
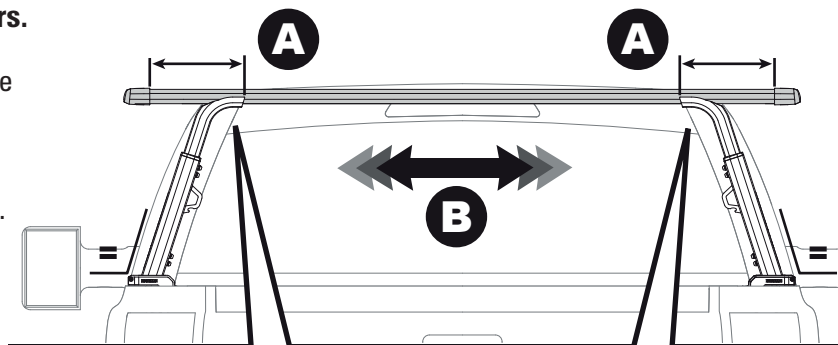
- Set one tower A, and one tower B onto the bases.
- Orient the long part of the tower bases toward the rear of the truck as shown.
- Partially tighten the receivers to hold the towers in place.

**9****Place HD Bar onto towers.**

- First, slide the plates toward the center of the HD Bar.
- Then place the HD Bar onto the towers with nut plates facing down.

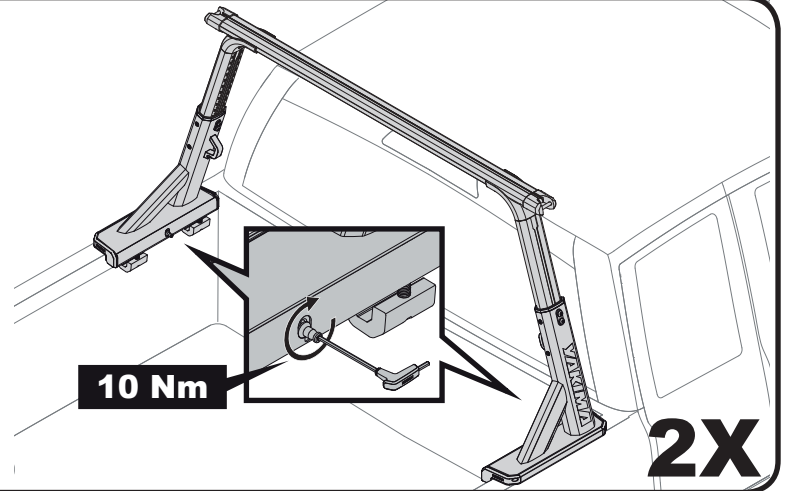
**10****Tighten the front crossbar to the towers.**

- Measure and center the crossbar.
- Slide the plates into alignment with the holes in the towers.
- Install the hardware, and fully tighten using the 6 mm hex wrench to 10 Nm.

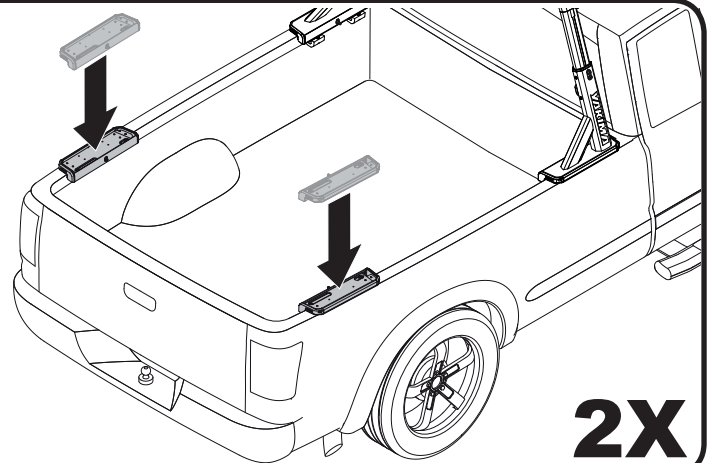
**NOTE:** Make sure the tower angles match.

**11****Tighten the towers to the bases.**

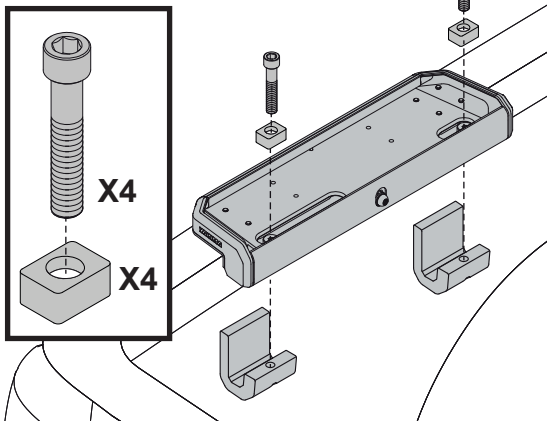
- Use the 4mm and 6mm wrench to fully tighten the front assembly to 10 Nm

**12****Place the rear bases on your truck.**

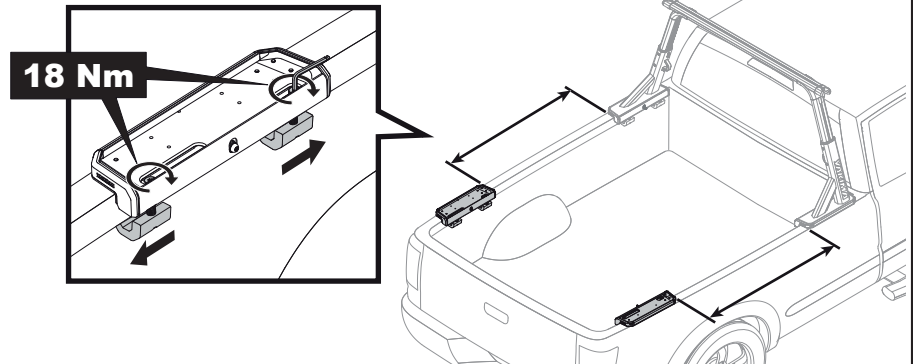
- Clean the rails before installation.
- Place a non-locking base on the drivers side.
- Place a locking base on the passenger side.

**13**

**Install the clamps.** Use the 10mm wrench to attach the clamps to the bases with M12x65 screws and square washers. Do not fully tighten.

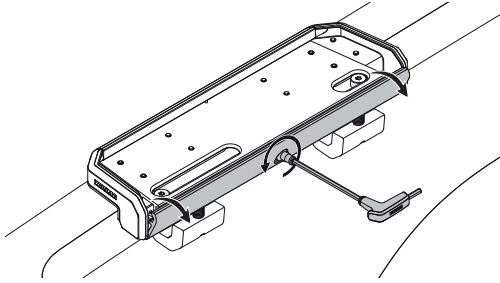
**2X****14****Measure and tighten.**

- Position the bases by measuring an equal distance from the front bases on each side of the truck (**minimum crossbar spread is 36" (91.4 cm) or at least 10" (25 cm) between bases**).
- Space the clamps as wide as possible in each slot.
- Use the 10 mm wrench to tighten the bases to your truck rails.



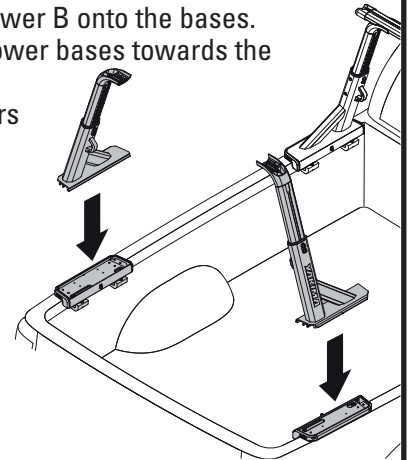
**15**

**Open the bases.** Use the 4 mm and 6 mm hex wrenches to loosen the spring loaded receivers.

**2X****16**

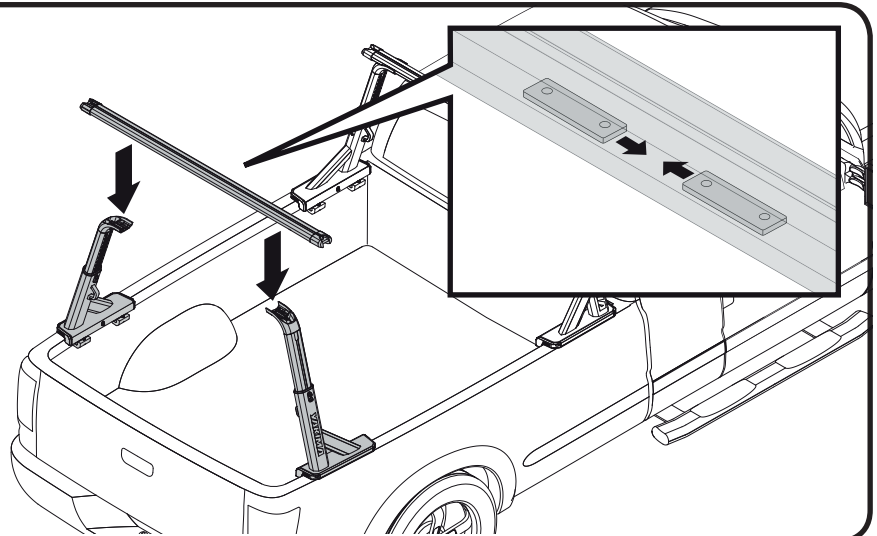
**Position towers on the bases.**

- Set one tower A, and one tower B onto the bases.
- Orient the long part of the tower bases towards the front of the truck as shown.
- Partially tighten the receivers to hold the towers in place.

**2X****17**

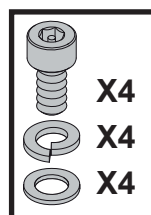
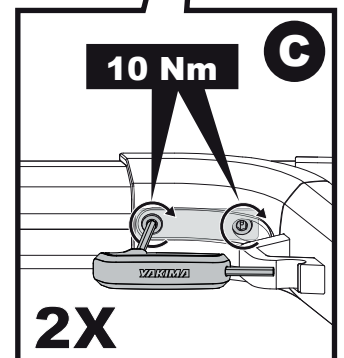
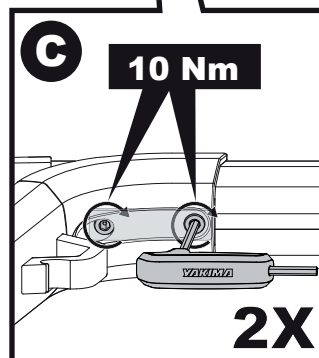
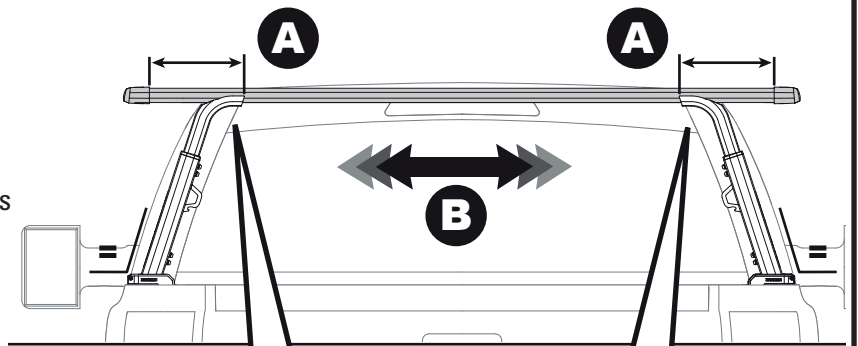
**Place HD Bar onto towers.**

- First, slide the plates toward the center of the HD Bar.
- Then place the HD Bar onto the towers with nut plates facing down.

**18**

**Tighten the rear crossbar to towers.**

- Measure and center the crossbar.
  - Slide the plates into alignment with the holes in the towers.
  - Install the hardware, and fully tighten using the 6 mm hex wrench to 10 Nm.
- TIP: Match the angle of the front towers while tightening the rear towers.



X4

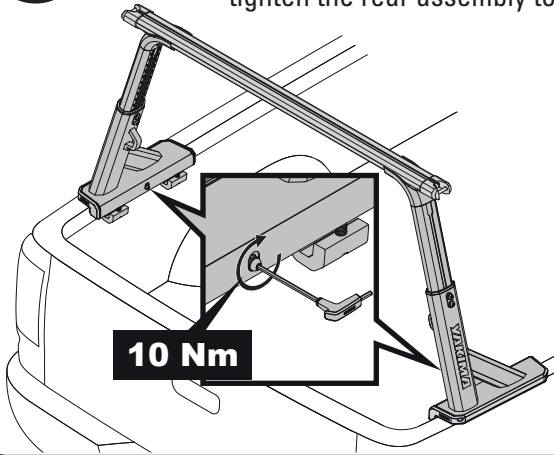
X4

X4

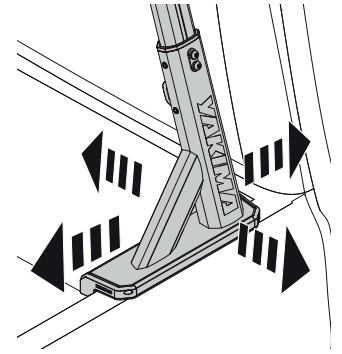
**2X****2X**

**19****Tighten the towers to the bases.**

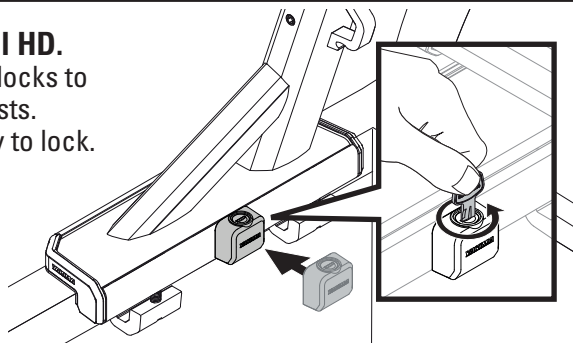
- Use the 4mm and 6mm wrench to fully tighten the rear assembly to 10 Nm.

**2X****20**

Check if the front system and rear system are tight. Retighten hardware if necessary.

**4X****21****Lock OverHaul HD.**

- Attach the locks to the lock posts.
- Use the key to lock.

**2X****REMOVAL**

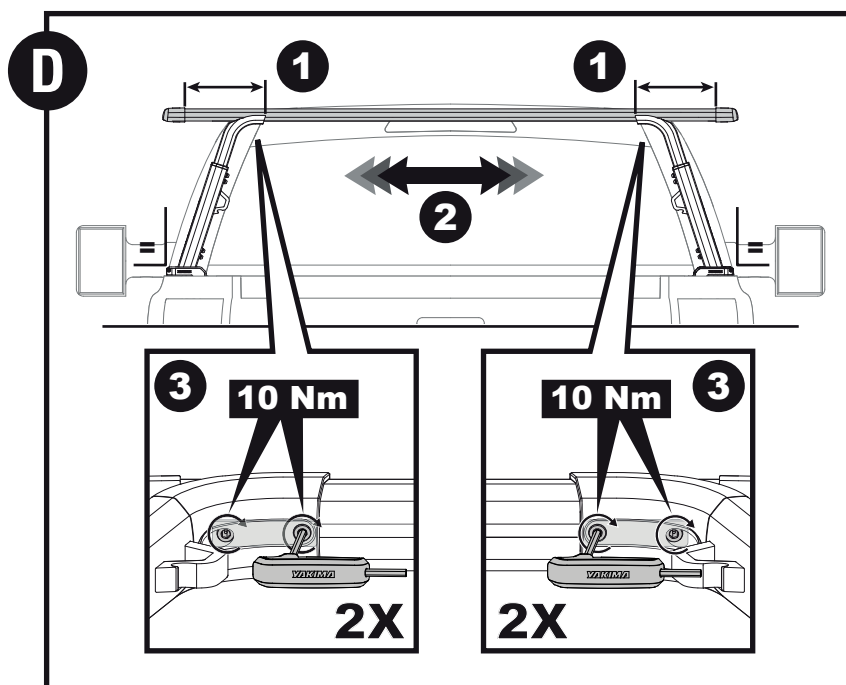
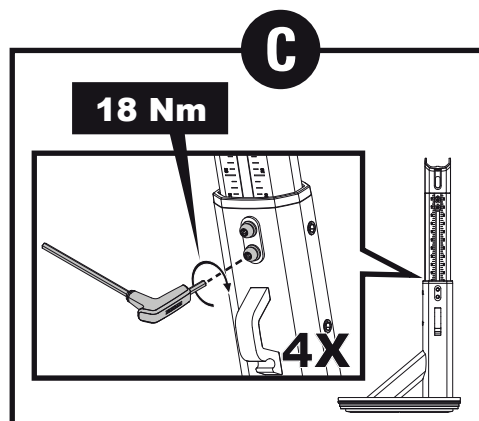
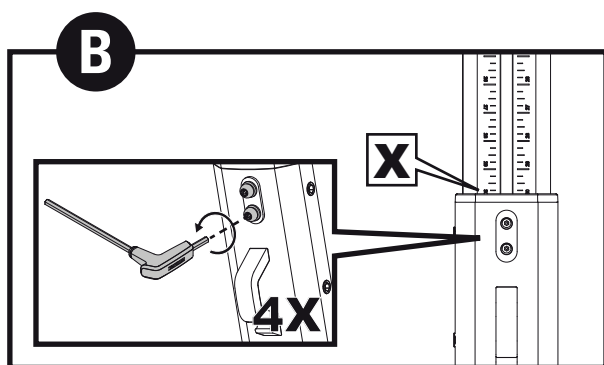
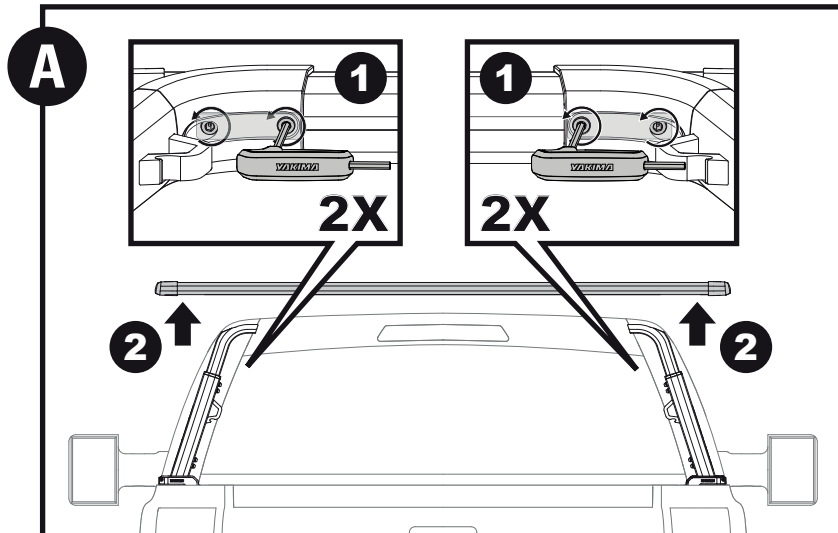
1. Unlock OverHaul HD.
2. Loosen all four spring loaded receivers.
3. Unhook one tower from the base and lift to remove the rack (Loosen one side of each HD Bar if necessary).
4. Loosen and remove clamps and bases.

**WEIGHT LIMITS**

**OverHaul HD combined system (69 lbs / 31 kg) + gear =**  
**500 lbs (227 kg) on-road load capacity**  
**300 lbs (136 kg) off-road load capacity**

# HEIGHT ADJUSTMENT

- A. Loosen and remove the HD bar from the towers.
- B. Using the scale on the upright loosen and reset the height of each tower.
- C. Tighten the tower hardware to 18 Nm.
- D. Reinstall and center the HD bar. Tighten bar hardware to 10 Nm.





## EN IMPORTANT WARNINGS

### Rack Installation

Inadequately secured loads and incorrectly mounted roof racks and accessory racks can come loose during travel and cause serious accidents! Therefore, installation, handling and use must be carried out in accordance with product and vehicle instructions.

In addition to these instructions, review the mounting instructions for the roof rack and the operating instructions of the vehicle.

These instructions should be kept together with the vehicle's operating instructions and carried in the vehicle when in use and en route.

For your own safety, you should only use roof racks that are authorized for use with your vehicle.

For roof racks that do not specify the distance between the front and rear crossbars, the distance shall be at least 700 mm or as large as possible. Please note that changes (e.g. additional drill holes) to the accessory rack's attachment system are not permissible.

Check attachment hardware and load for tight fit and function:

- Before the start of any journey.
- After driving a short distance following rack or load install.
- At regular intervals on longer journeys.
- More frequently on rough terrain.
- After interruption of a journey during which the vehicle was left unsupervised (check for damage due to outside intervention).

### Rack Loading

Do not exceed the maximum load specified for the roof rack, accessory rack or the maximum load recommended by the vehicle manufacturer.

**Max Roof Load = weight of roof rack + weight of accessory racks + weight of load.**

Load shall be uniformly distributed with the lowest possible center of gravity.

Load should not substantially extend beyond the loading surface of the roof rack.

### Vehicle Driving and Regulations

The speed driven must be suited to the load transported and to official speed limits. In the absence of any speed limits, we recommend a maximum speed of 80 mph (130 km/h).

When transporting any load, the speed of the vehicle must take into account all conditions such as the state of the road, the surface of the road, traffic conditions, wind, etc. Vehicle handling, cornering, braking and sensitivity to side winds will change with the addition of roof top loads.

If this product is off-road certified, it is designed and intended to be used on forest service roads, access roads or other non-technical terrains at moderate speeds. It is not to be used while rock-crawling, jumping, bogging, or other technical off-road terrains. When using off-road certified products with non-off-road certified products, always follow the warnings and restrictions stated in the non-off-road certified product instructions.

### Maintenance

The accessory rack should be carefully cleaned and maintained, particularly during the winter months. Use only a solution of water and standard car wash liquid without any alcohol, bleach or ammonium additives.

For reasons of fuel economy and the safety of other road users, the accessory rack and roof rack should be removed when not in use.

Periodically inspect accessory rack for damage. Replace lost, damaged or worn parts. Use only original spare parts obtained from a stocking specialist, dealer or manufacturer.

Any changes made to the roof racks and accessory racks as well as the use of spare parts or accessories other than those supplied by the manufacturer will lead to the lapsing of the manufacturer's warranty and liability for any material damage or accidents. You should observe these instructions to the letter and only use the original parts supplied.