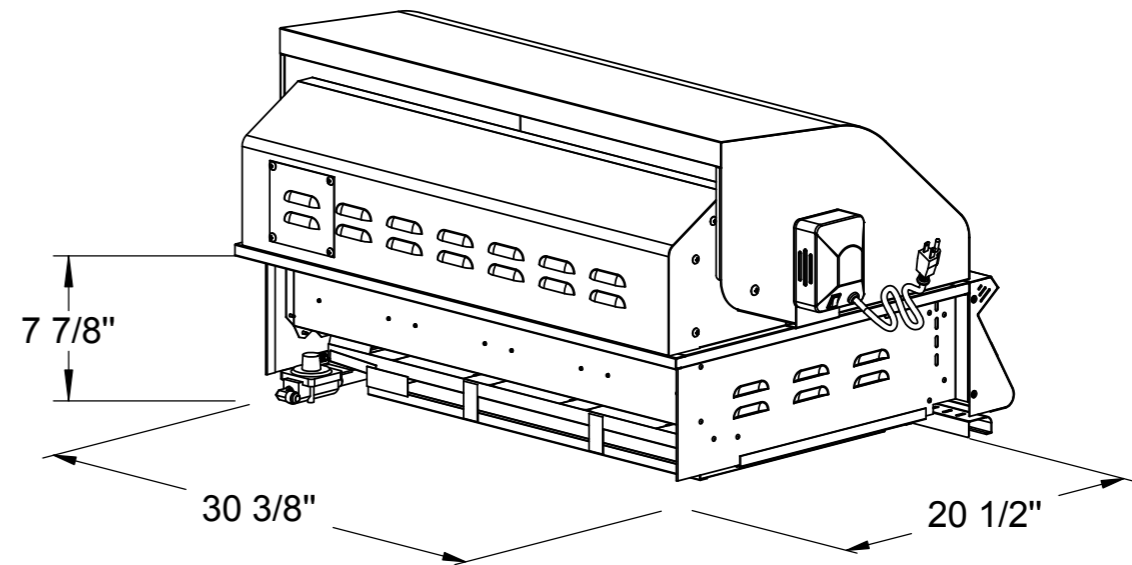
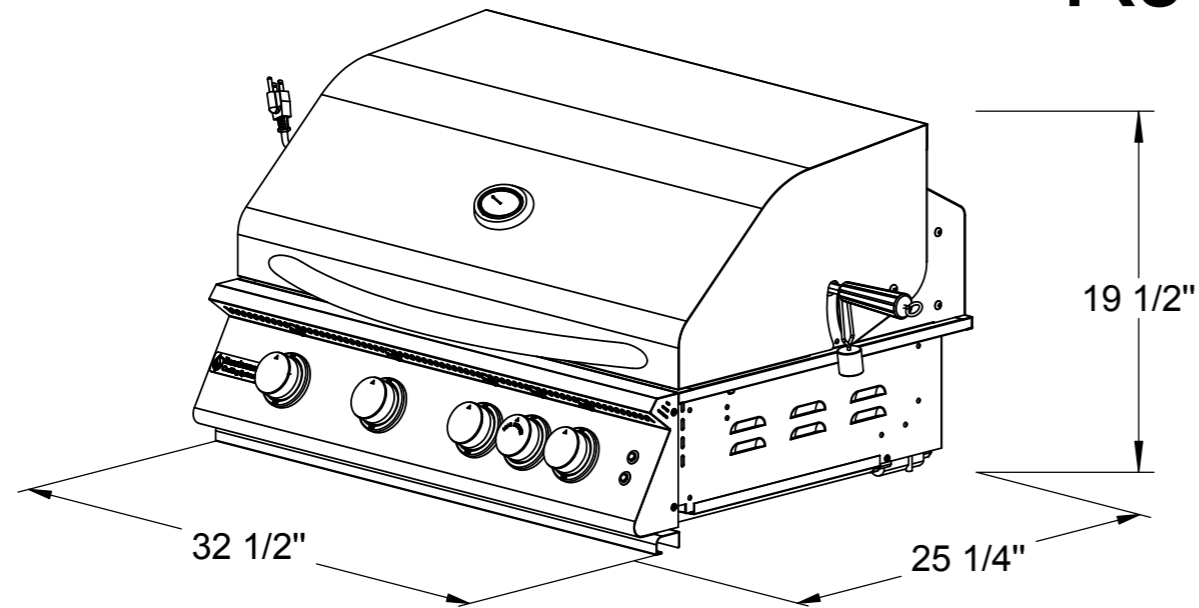


# RJC32AL



# RJC40AL

