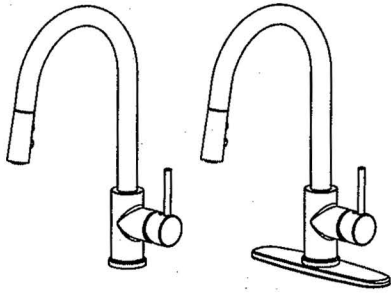
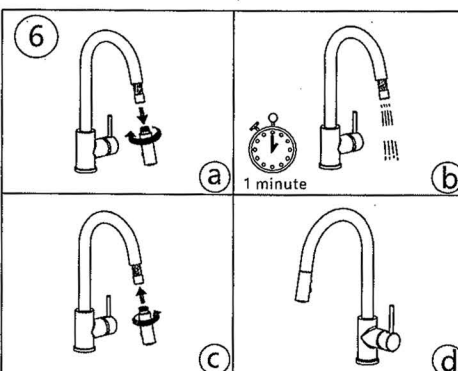
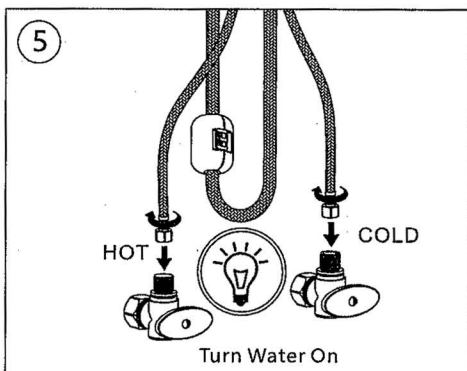
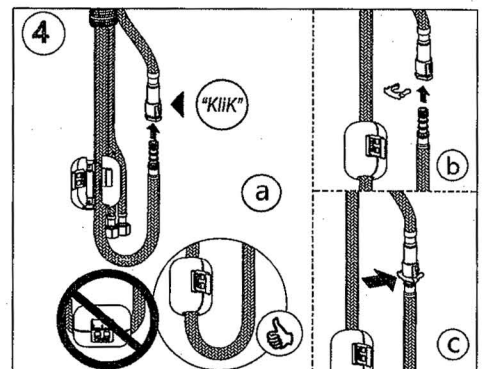
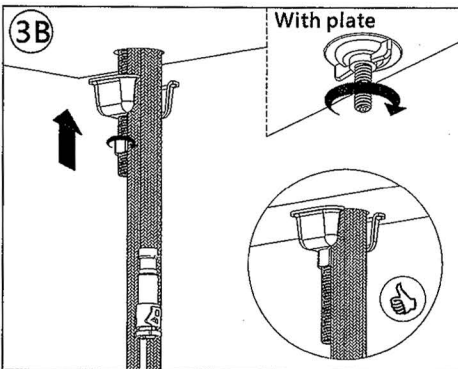
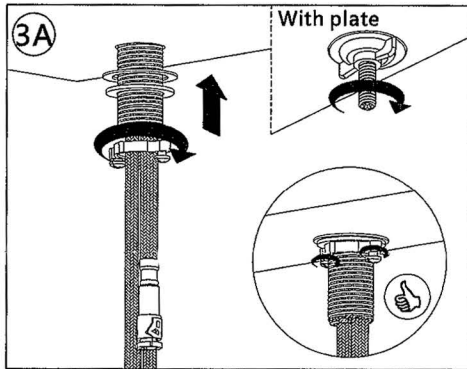
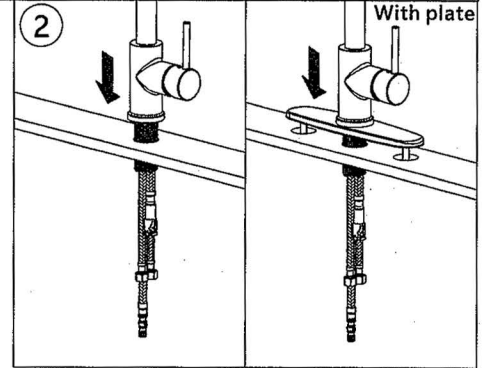
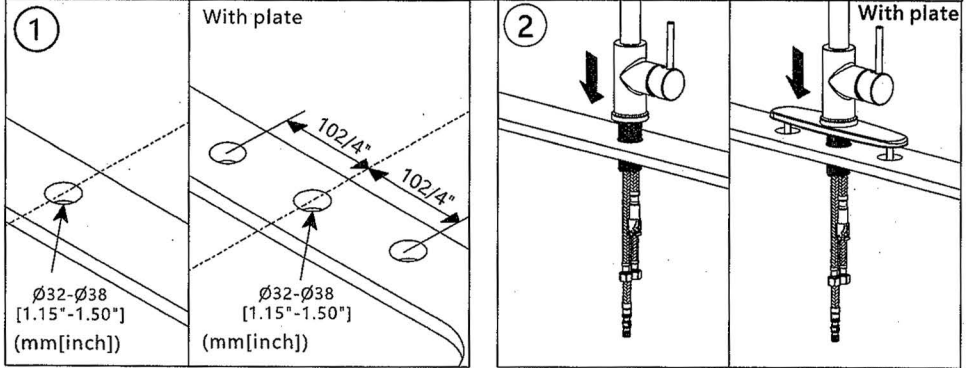


# Instructions & Parts List For Sink Faucet

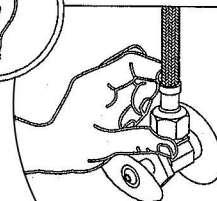
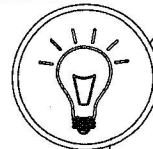


## RECOMMENDED TOOLS



The model shown in the installation steps may differ from the one in box, however the connection type and installation steps are the same.

## CONNECTION ADVICE



Firmly hand tighten the hose to the valve and add a quarter-turn using the proper wrench. Tighten more if needed.

# Instructions & Parts List For Sink Faucet

## TECHNICAL DETAILS

### 1 Description

- Isabelle - Kitchen faucet
- Magnetic pull down sprayer
- 360° swing angle, high arch spout
- Ceramic disc cartridge(φ35mm)
- SS Flex hoses with 3/8" compression nuts
- 1.8 GPM ASME compliant

### 2 Technique Parameter

Parameter	Water Pressure	Water Temperature
Market		
ASME A112.18.1/ CSA B125.1	20-80PSI	10-65°C

### 3 Certificate



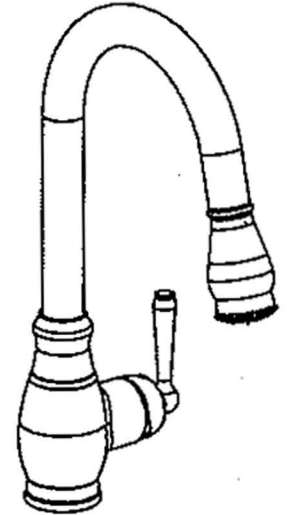
AB1953



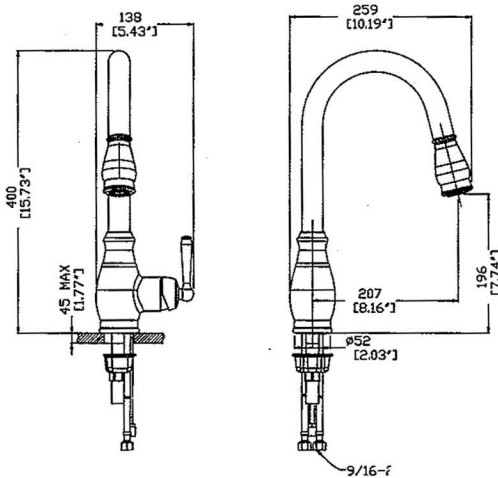
### 4 Surface maintenance

Remove any surface dirt and film using clean water and cotton cloth. Spray cleaner such as mild liquid detergents, clear liquid glass cleaner, non-acidic and fully dissolved powder cleaners or non-abrasive liquid polishers on the rag to clean the faucet surface.

Once clean, rinse faucet again with clear water to thoroughly remove cleaner and dry with soft cotton cloth.



## DIMENSIONS



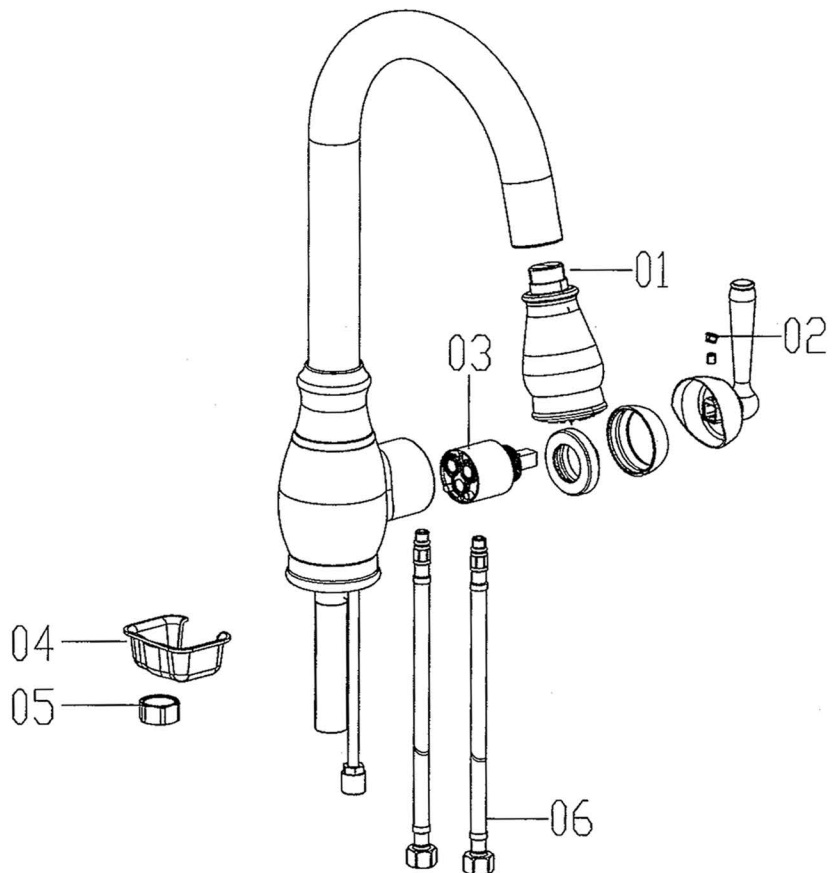
■ For Reference only (unit = mm[inch])

NO.	Description	Qty
01	SHOWER	1
02	CAP	1
03	CARTRIDGE	1
04	CASKET	1
05	NUT	1
06	HOSE(9/16-24UNEF)	2

■ Notes: For reference only. We reserve the right to make changes without any notice.

Please read the followings before installing and usage.

Note: The exact shape of your faucet may vary.



For more information, questions or assistance please visit us at [RCSGasGrills.com](http://RCSGasGrills.com) and click the Customer Care Form.